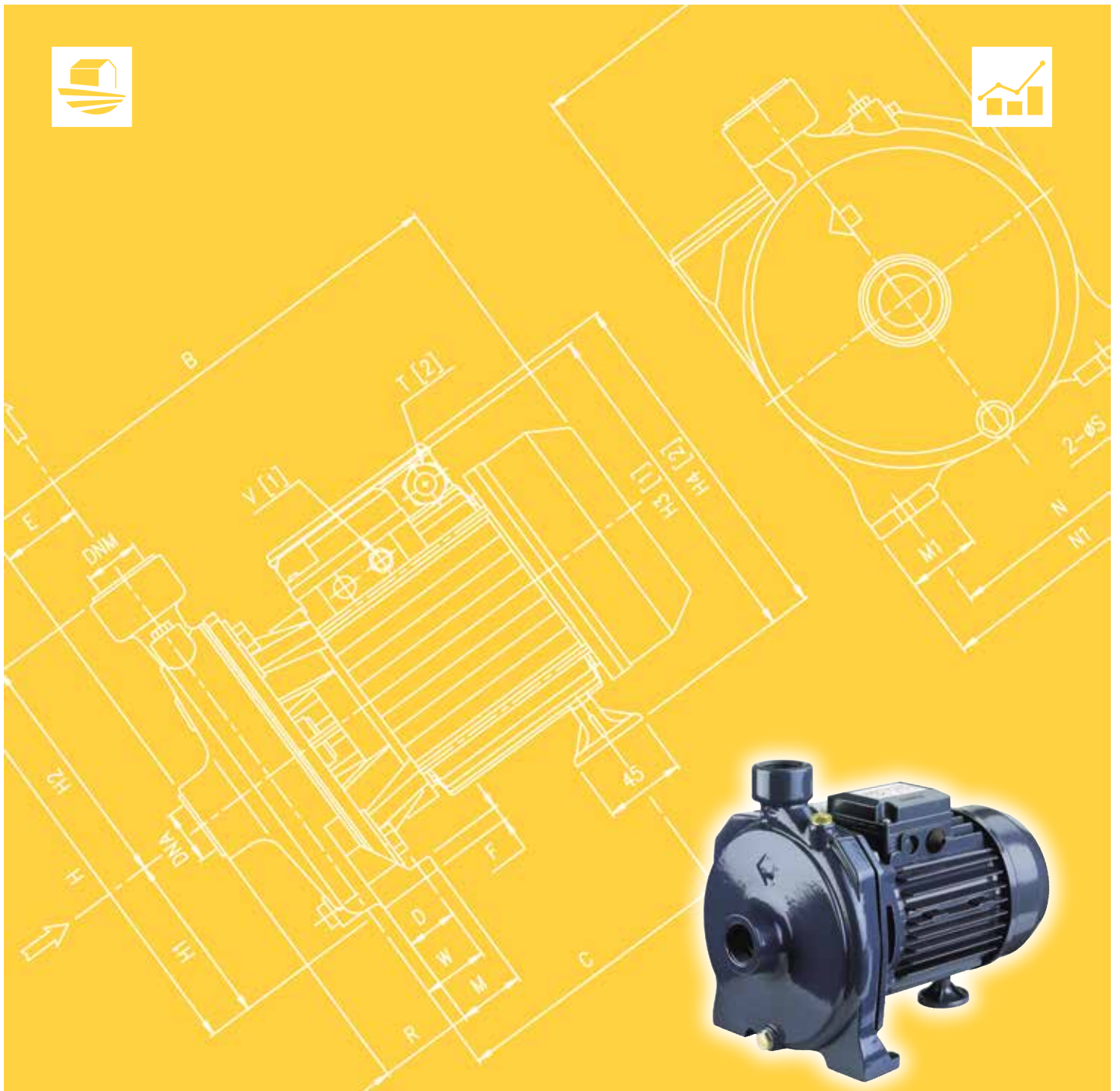




Japanese Technology since 1912

CMA-B-D

Data Book 60Hz



	Page
- SPECIFICATIONS ^①	200
PERFORMANCE RANGE and SELECTION CHART CMA	201
PERFORMANCE RANGE and SELECTION CHART CMB	202
PERFORMANCE RANGE and SELECTION CHART CMD	203
TYPE KEY and CURVE SPECIFICATIONS	204
PERFORMANCE CURVES CMA	205
PERFORMANCE CURVES CMB	206
PERFORMANCE CURVES CMD	207
- CONSTRUCTIONS	300
SECTIONAL VIEW MODELS (UP TO 106)	300
SECTIONAL VIEW MODELS (156 AND ABOVE)	301
MECHANICAL SEAL (UP TO 106)	302
MECHANICAL SEAL (156 AND ABOVE)	303
BEARINGS	304
- DIMENSIONS and WEIGHT	400
PUMP DRAWING	400
DIMENSIONS TABLE	401
PACKING	402
- TECHNICAL DATA	500
MOTOR DATA	500

SPECIFICATIONS

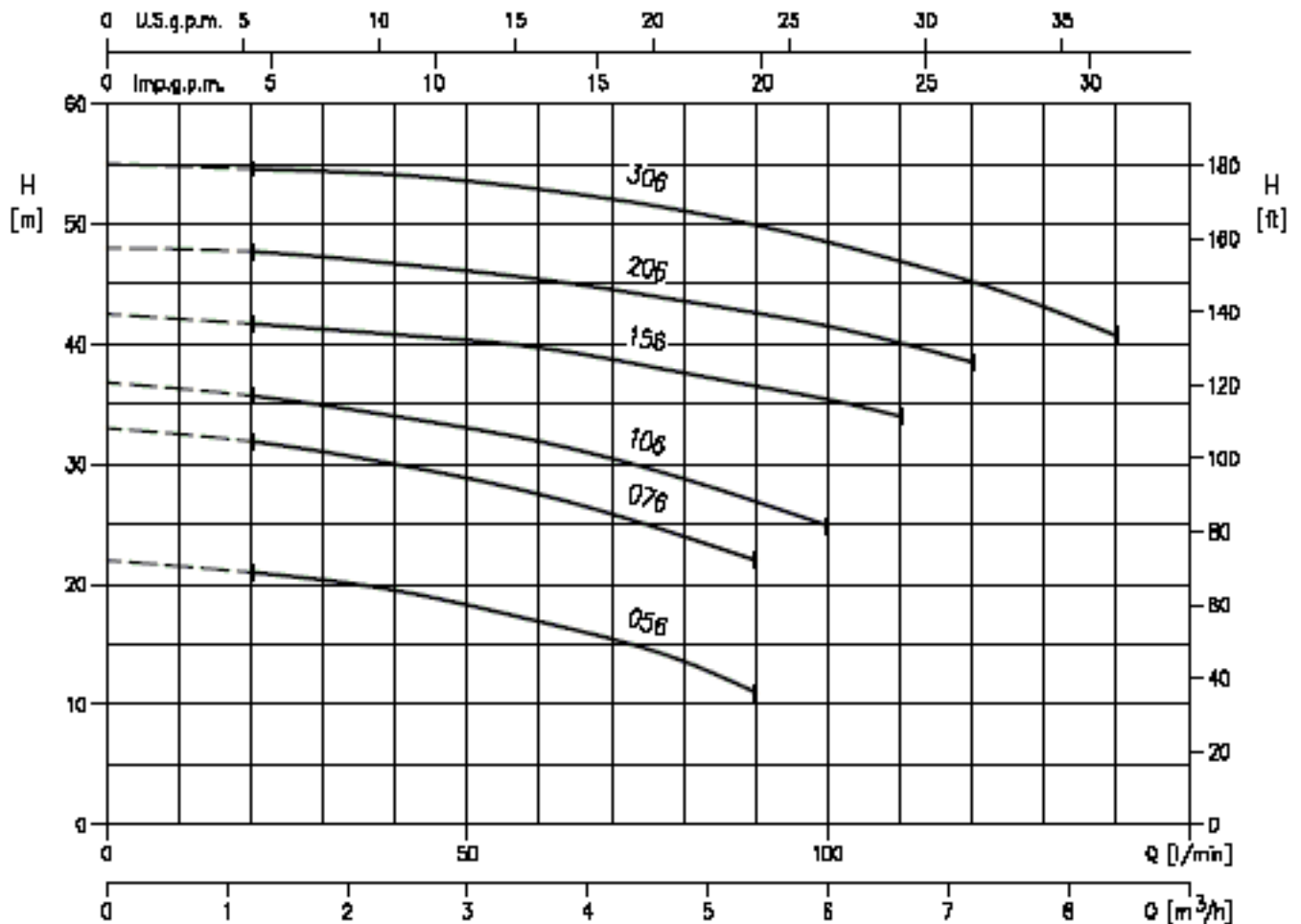
60Hz

Rev. E

PUMP		
Liquid Handled	Type of liquid	Clean water
	Temperature [°C]	min. +5 max. +40 (CMA up to 106) max. +90 (the other)
Maximum working pressure	[MPa]	0.6 (CMA up to 106; CMB up to 306; CMD) 0.8 (the other)
Construction	Impeller	Closed centrifugal
	Shaft seal type	Mechanical seal
	Bearing	Sealed ball bearing
Pipe Connection	Suction	G 1" (CMA up to 106) UNI ISO 228 G 1"¼ (CMA 156 and above) UNI ISO 228 G 2" (CMB) UNI ISO 228 G 2"½ (CMD) UNI ISO 228
	Discharge	G 1" (CMA) UNI ISO 228 G 1"¼ (CMB) UNI ISO 228 G 2"½ (CMD) UNI ISO 228
Material	Casing	Cast iron
	Impeller	PPE + PS glass fibre reinforced - Brass - Cast iron see application page 300
	Shaft seal	Ceramic/Carbon/NBR
	Shaft	AISI 416 (integral) AISI 303 (wet extension) AISI 304 (wet extension) see application page 301
	Bracket	Cast iron - Aluminium see application page 300
	Casing cover	AISI 304 see application page 300
Applicable standard of test		ISO 9006:2012 - Grade 3B

MOTOR		
Type	Electric - TEFC	
	Single Phase	Three Phase
Efficiency (Rif.1781/2019)	-	IE3
No. Of Poles	2	
Rotation speed [min ⁻¹]	≈ 3400	
Insulation Class	F	
Protection degree	IP 44	
Power rating	[kW]	0.37 ÷ 1.5
	[HP]	0.5 ÷ 2
Frequency [Hz]	60	
Voltage [V]	220-230 ±6%	220/380 -6% +10% (from 0.4 kW up to 0.6 kW)
		220/380 ±10% (from 0.75 kW up to 4 kW)
		220/380-460 ±10% (IE3* 0.75 kW up to 4 kW)
Capacitor	Built in	-
Over load protection	Built in	Provided by the user
Casing material	Aluminium	
Base material / motor support	Aluminium / Cast iron / Plastic foot	
Dimensions of cable entry	PG11 - PG13.5 - PG16 - M16x1.5 - M20x1.5 (see dimensions page 401)	

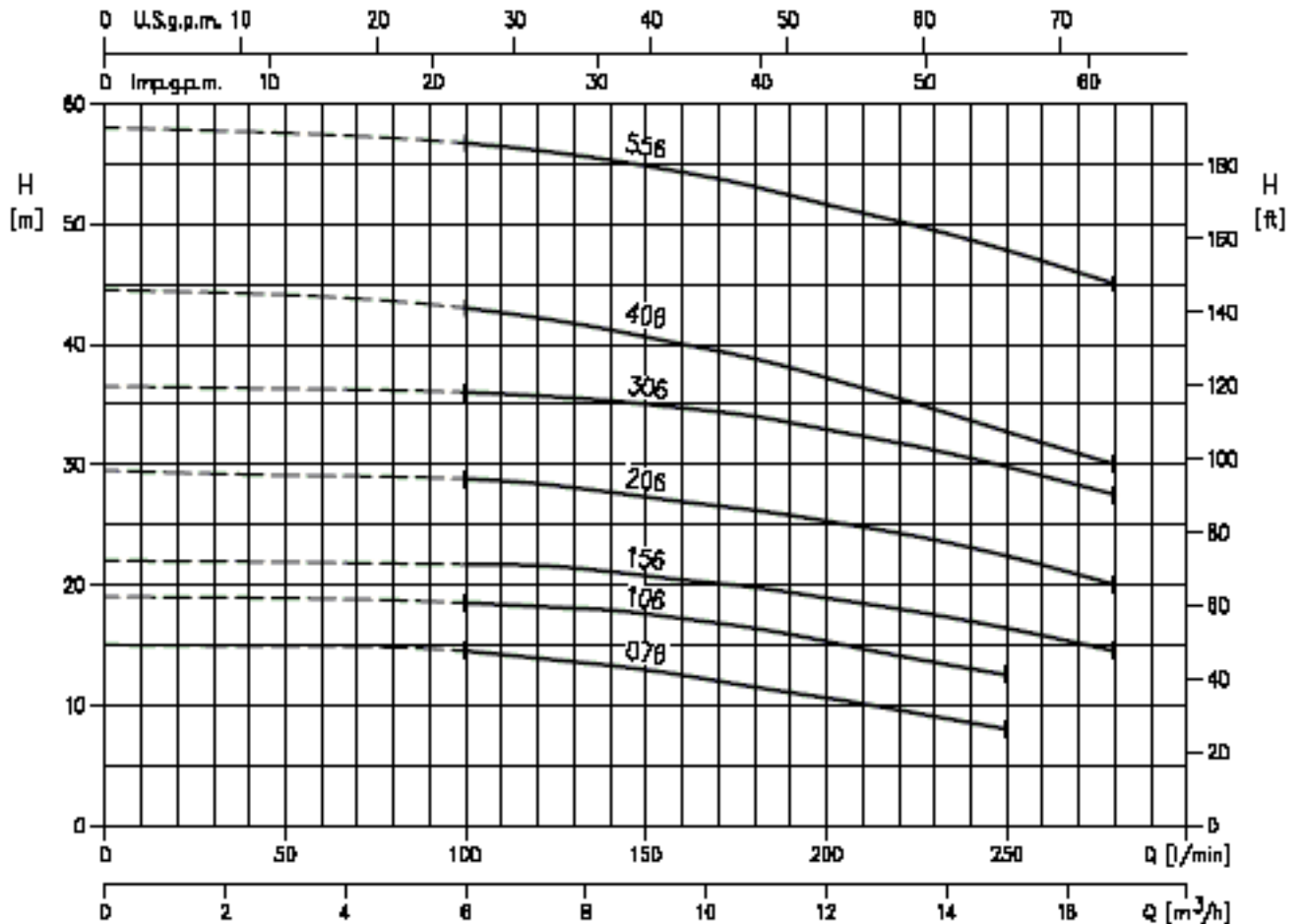
CMA
PERFORMANCE RANGE



SELECTION CHART

Pump type		Power		Q = Capacity															
Single-phase	Three-phase	[kW]	[HP]	l/min	0	20	30	40	50	60	70	80	90	100	110	120	130	140	
				m³/h	0	1,2	1,8	2,4	3	3,6	4	4,8	5,4	6	6,6	7,2	7,8	8,4	
				H=Total manometric head in meters															
CMA 056 M	CMA 056 T	0,37	0,5	22	21	20,5	19,5	18	16,9	15,5	13,6	11	-	-	-	-	-	-	
CMA 076 M	CMA 076 T	0,55	0,75	33	31,9	31	30	28,5	27,5	26	24	22	-	-	-	-	-	-	
CMA 106 M	CMA 106 T	0,75	1	36,8	35,7	35	34	33	32	30,5	29	27	24,9	-	-	-	-	-	
CMA 156 M	CMA 156 T	1,1	1,5	42,5	41,5	41	40,5	40	39,5	38,5	37,5	36,5	35,5	34	-	-	-	-	
CMA 206 M	CMA 206 T	1,5	2	48	47,5	47	46,5	46	45,5	44,5	43,5	42,5	41,5	40	38,5	-	-	-	
-	CMA 306 T	2,2	3	55	54,5	54,3	54	53,5	53	52	51	50	48,5	47	45	43	40,5	-	

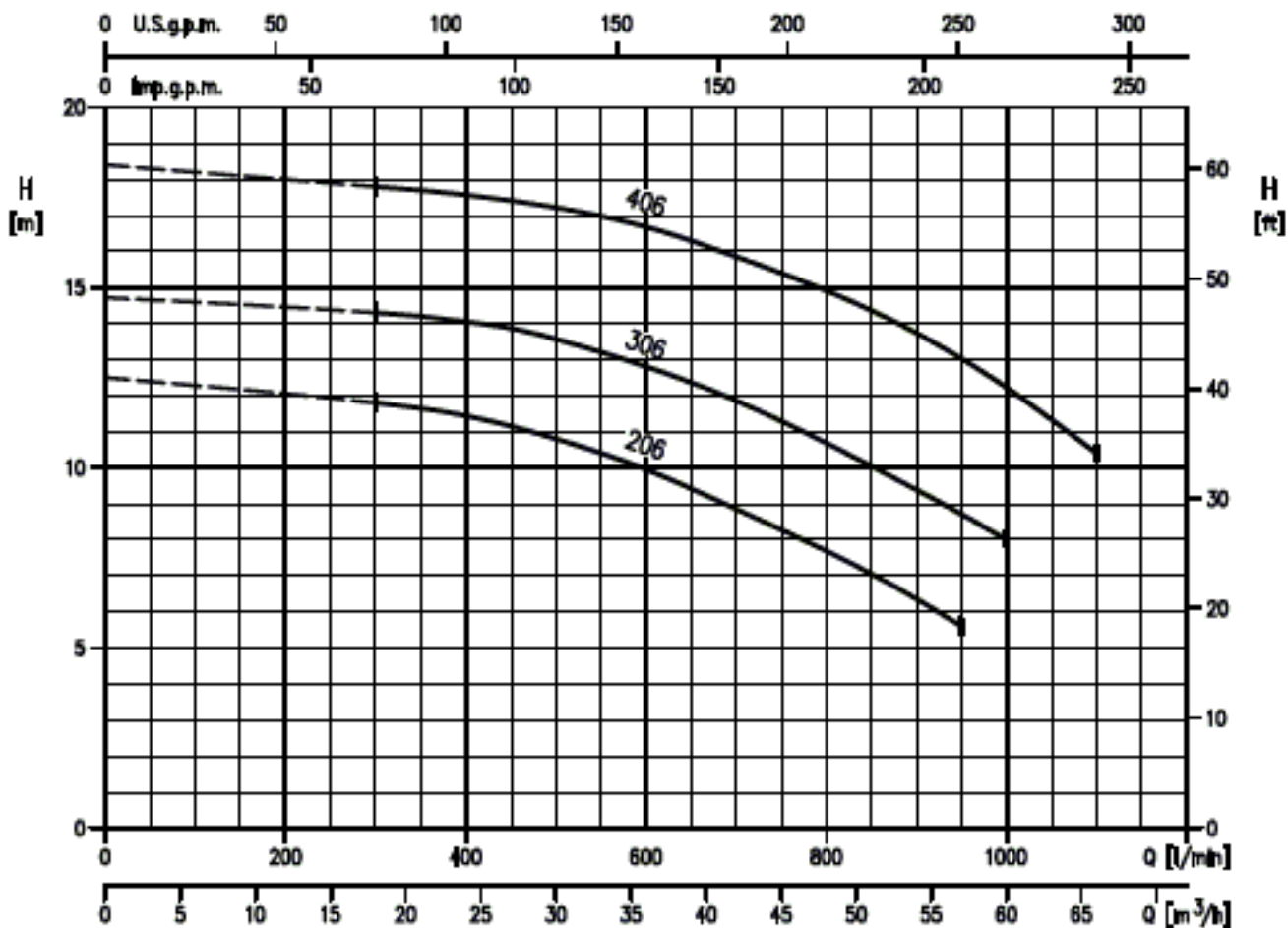
CMB
PERFORMANCE RANGE



SELECTION CHART

Pump type		Power		Q =Capacity										
Single-phase	Three-phase	[kW]	[HP]	l/min	0	100	120	140	160	180	200	220	250	280
				m³/h	0	6	7,2	8,4	9,6	10,8	12	13,2	15	16,8
				H=Total manometric head in meters										
CMB 076 M	CMB 076 T	0,55	0,75	15	14,5	13,9	13,3	12,5	11,5	10,6	9,6	8	-	-
CMB 106 M	CMB 106 T	0,75	1	19	18,5	18,2	17,9	17,2	16,4	15,3	14,1	12,5	-	-
CMB 156 M	CMB 156 T	1,1	1,5	22	21,7	21,6	21,1	20,4	19,8	18,9	18	16,4	14,5	-
CMB 206 M	CMB 206 T	1,5	2	29,5	28,8	28,4	27,7	26,9	26,2	25,3	24,3	22,4	20	-
-	CMB 306 T	2,2	3	36,5	36	35,7	35,3	34,7	34	32,9	31,8	29,8	27,5	-
-	CMB 406 T	3	4	44,5	43	42	41	40	38,8	37,2	35,5	32,7	30	-
-	CMB 556 T	4	5,5	58	56,5	56	55	54	53	51,5	50	48	45	-

CMD
PERFORMANCE RANGE



SELECTION CHART

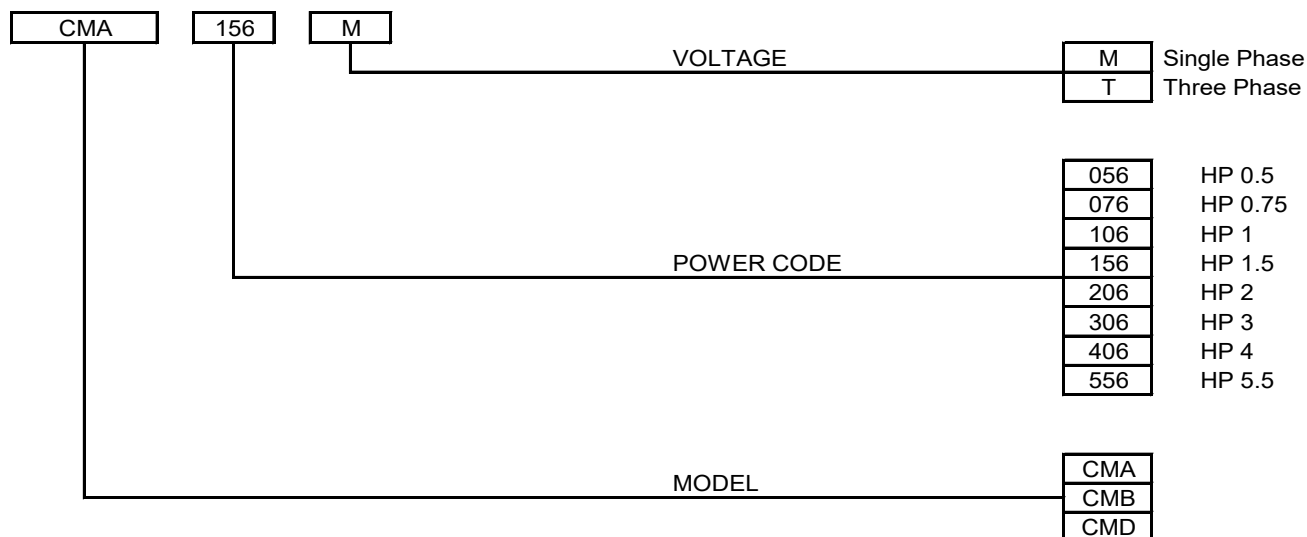
Pump type		Power		Q =Capacity													
				l/min	0	300	350	400	450	500	600	700	800	900	950	1000	1100
Single-phase	Three-phase	[kW]	[HP]	m³/h	0	18	21	24	27	30	36	42	48	54	57	60	66
H=Total manometric head in meters																	
CMD 206 M	CMD 206 T	1,5	2	12.5	11.8	11.6	11.4	11.1	10.8	9.9	8.8	7.7	6.3	5.6	-	-	-
-	CMD 306 T	2,2	3	14.6	14.3	14.2	14	13.9	13.6	12.8	11.8	10.7	9.4	8.7	8	-	-
-	CMD 406 T	3	4	18.4	17.8	17.7	17.6	17.4	17.2	16.7	15.9	14.9	13.7	13	12.2	10.4	-

TYPE KEY AND CURVE SPECIFICATIONS

60Hz

Rev. E

TYPE KEY



CURVE SPECIFICATIONS

The specifications below qualify the curves shown on the following pages.

Tolerances according to ISO 9006:2012 - Grade 3B

The curves refer to effective speed of asynchronous motors at 60Hz, 2 poles.

Measurements were carried out with clean water at 20°C of temperature and with a kinematic viscosity of $\nu = 1 \text{ mm}^2/\text{s}$ (1 cSt)

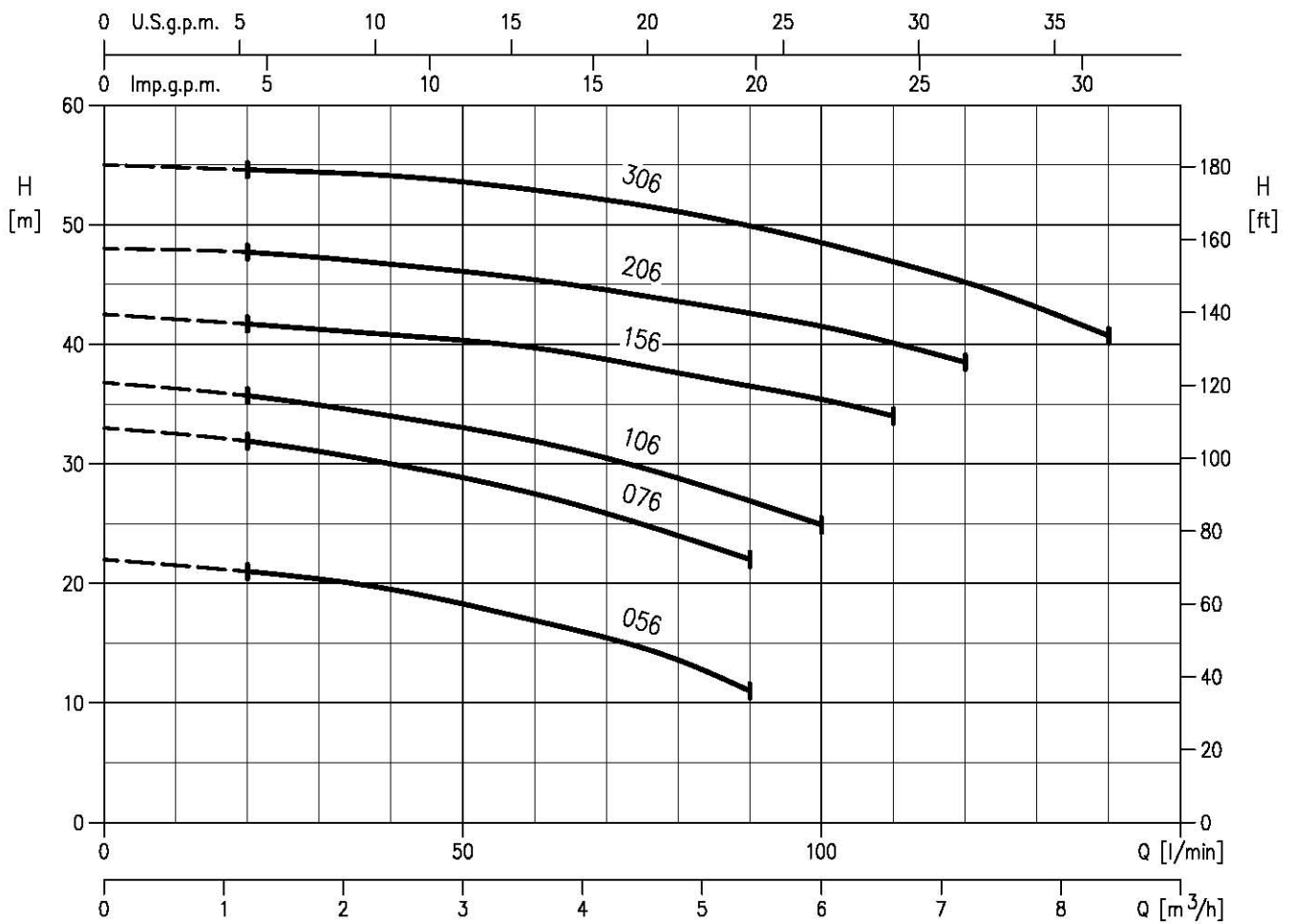
The continuous curves indicate the recommended working range. The dotted curve is only a guide.

In order to avoid the risk of over-heating, the pumps should not be used at a flow rate below 10% of best efficiency point.

Symbols explanation:

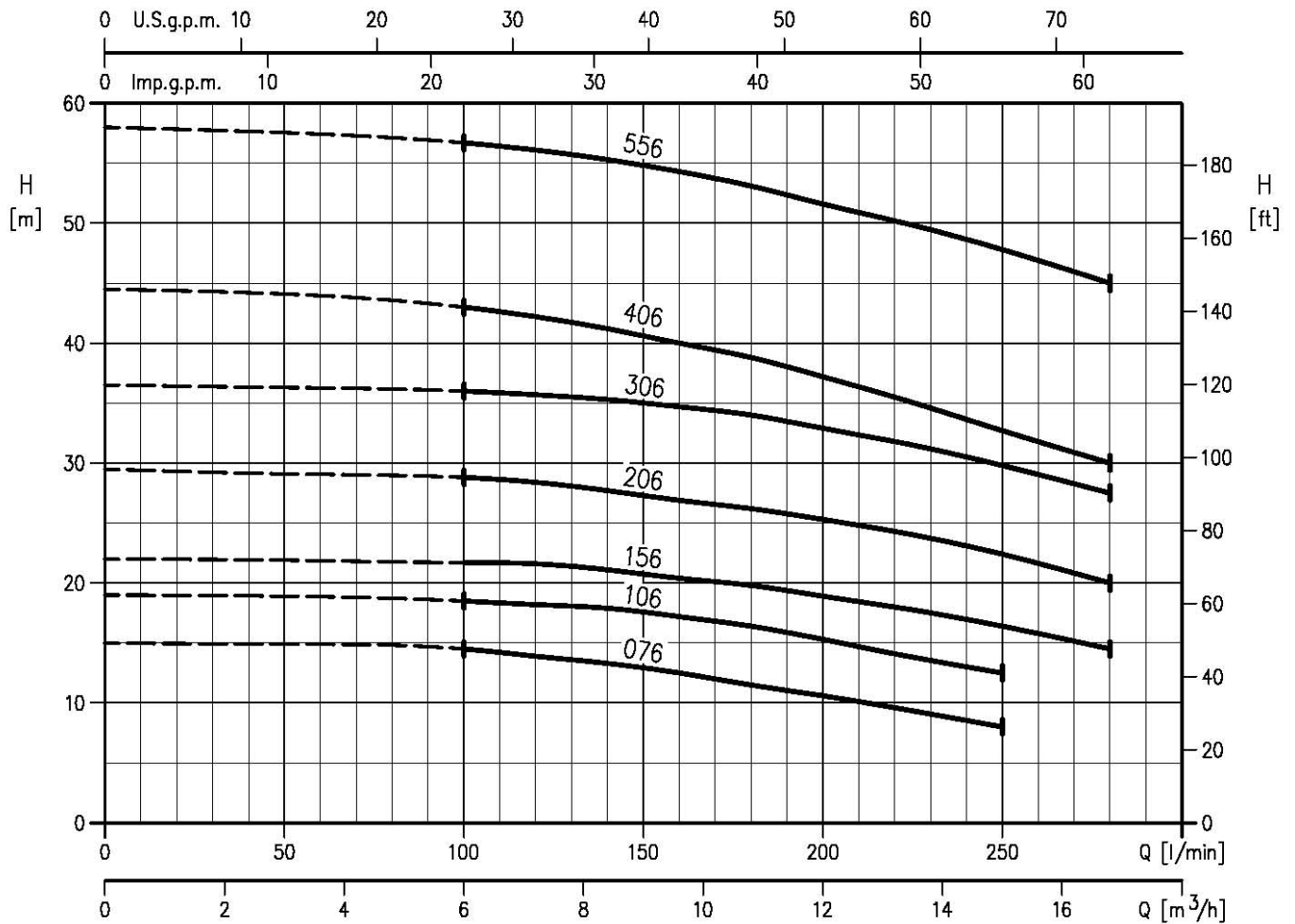
- Q = volume flow rate
- H = total head

CMA 056 - Impeller diameter = 113 mm
 CMA 076 - Impeller diameter = 140 mm
 CMA 156 - Impeller diameter = 151 mm
 CMA 106 - Impeller diameter = 139 mm
 CMA 206 - Impeller diameter = 159 mm
 CMA 306 - Impeller diameter = 173 mm



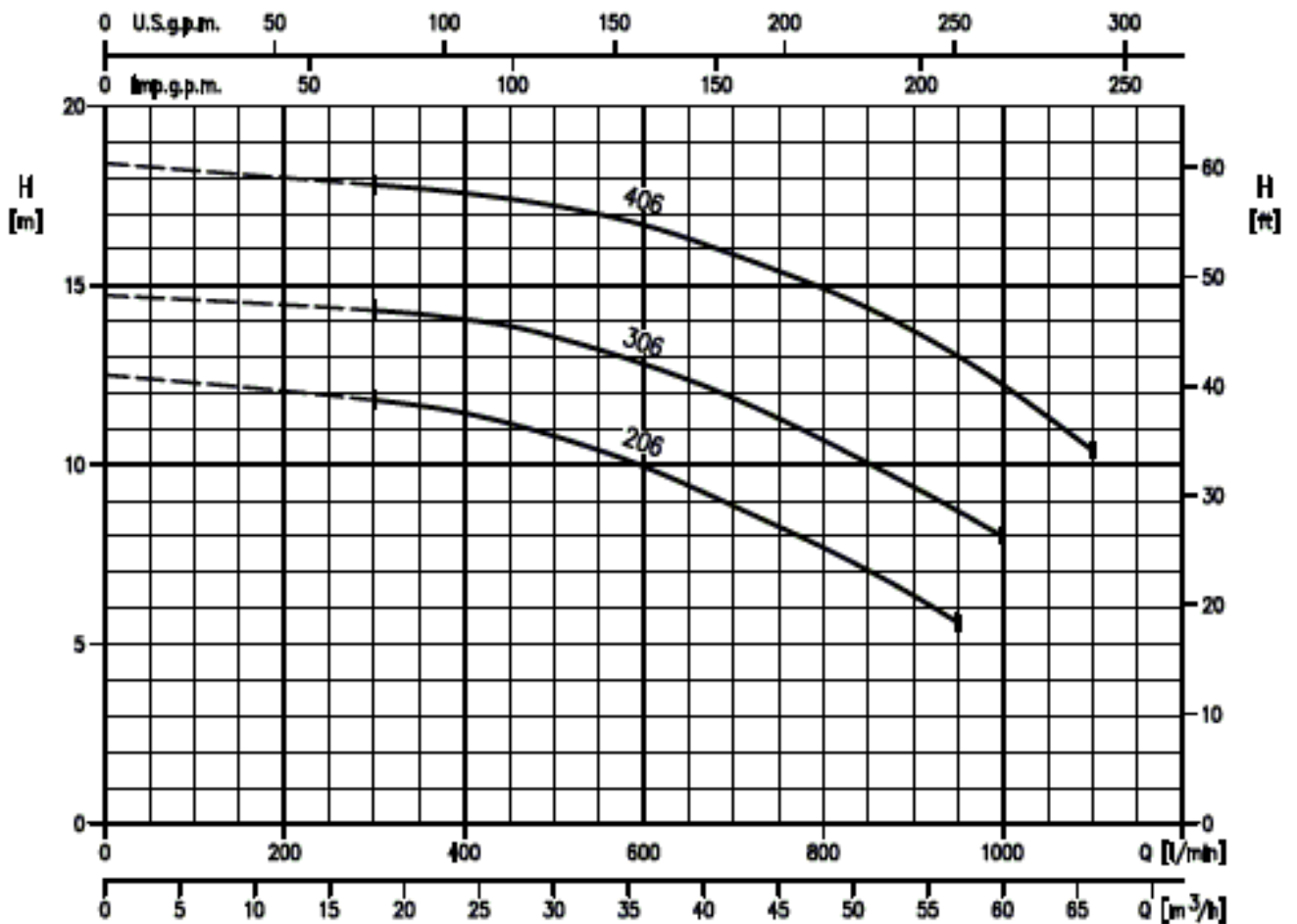
Rotation speed $\approx 3400 \text{ min}^{-1}$
 Test standard: ISO 9006:2012 - Grade 3B

- CMB 076 - Impeller diameter = 96 mm
- CMB 106 - Impeller diameter = 105 mm
- CMB 156 - Impeller diameter = 111 mm
- CMB 206 - Impeller diameter = 128 mm
- CMB 306 - Impeller diameter = 142 mm
- CMB 406 - Impeller diameter = 160 mm
- CMB 556 - Impeller diameter = 176 mm



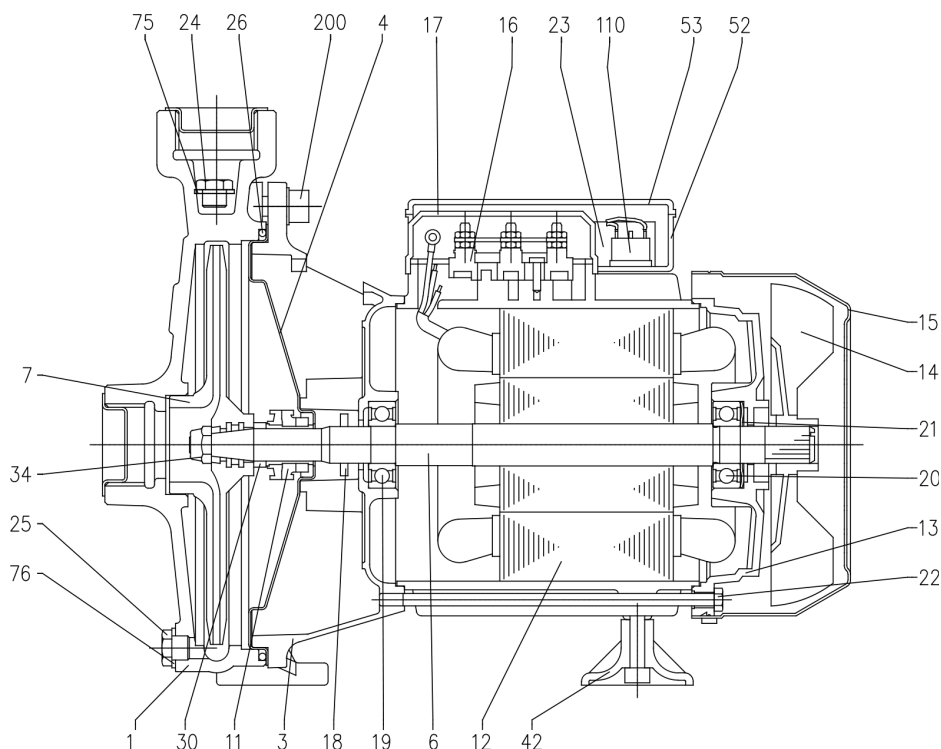
Rotation speed $\approx 3400 \text{ min}^{-1}$
 Test standard: ISO 9006:2012 - Grade 3B

CMD 206 - Impeller diameter = 96 mm
 CMD 306 - Impeller diameter = 101 mm
 CMD 406 - Impeller diameter = 108 mm



Rotation speed ≈ 3400 min⁻¹
 Test standard: ISO 9006:2012 - Grade 3B

SECTIONAL VIEW (UP TO 106)

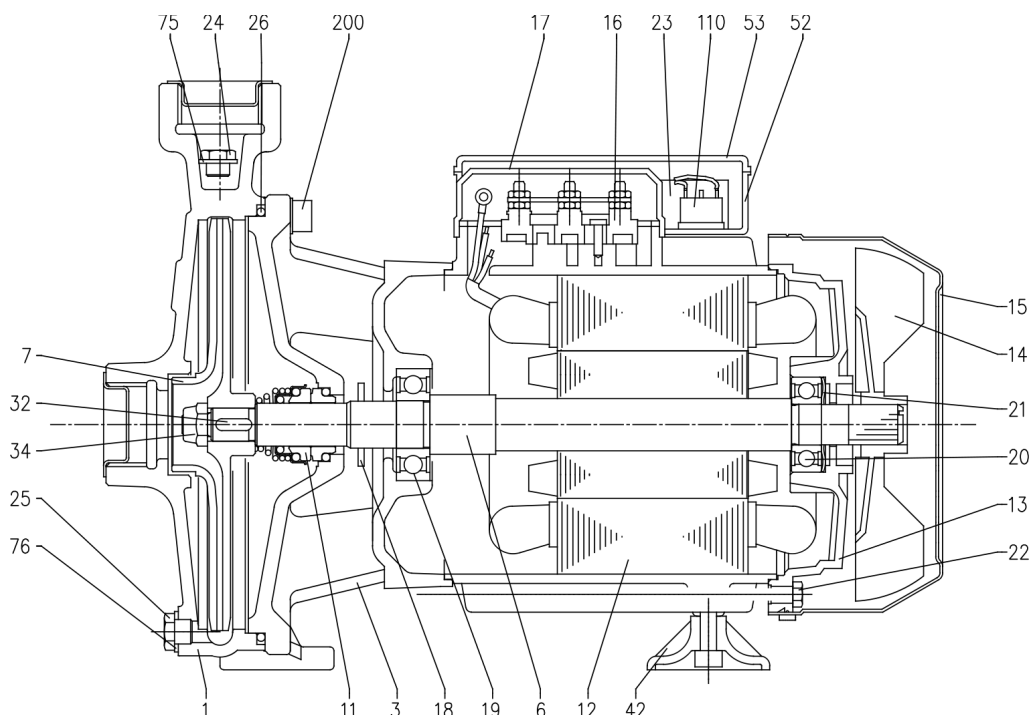


N°	PART NAME	MATERIAL	Q.TY
1	Casing	Cast iron	1
3	Motor bracket	Aluminium	1
4	Casing cover	AISI 304	1
6	Shaft with rotor	[1]	1
7	Impeller	[2]	1
11	Mechanical seal [3]	Carbon/Ceramic/NBR	1
12	Motor frame w ith stator	-	1
13	Motor cover	Aluminium	1
14	Fan	PA6	1
15	Fan cover	Fe P04 Zincate	1
16	Terminal box	-	1
17	Terminal box cover [4]	Aluminium	1
18	Splash ring	NBR	1
19	Pump side ball bearing	-	1
20	Fan side ball bearing	-	1

N°	PART NAME	MATERIAL	Q.TY
21	Adjusting ring	Steel C70	1
22	Tie rod	Fe 42 Zincate	4
23	Capacitor [5]	-	1
24	Priming plug	Brass	1
25	Drain plug	Brass	1
26	O-ring	NBR	1
30	Mechanical seal spacer [6]	Brass	1
34	Impeller nut [7]	AISI 304	1
42	Foot	PP	1
52	Capacitor box [5]	ABS class V-0	1
53	Capacitor box cover [5] [8]	ABS class V-0 [8]	1
75	Washer	Aluminium	1
76	Washer	Aluminium	1
110	Protector [5]	-	-
200	Screw	Zincate Steel Cl. 8.8 ISO 898-1	4

- [1] Material: AISI 416 (integral) for CMA 056
AISI 303 (wet extension) for other model;
- [2] Material: PPE+PS mod. glass fibre reinforced for version CMA
Cast iron for version CMB
- [3] See MECHANICAL SEAL pages 302-303
- [4] Only for three phase
- [5] Only for single phase
- [6] Only for version: CMA 056, CMB 076-106
- [7] Except for CMA 056
- [8] With gasket in NBR only for version single phase: CMA 056-076-106, CMB 076-106

SECTIONAL VIEW (156 AND ABOVE)



N°	PART NAME	MATERIAL	Q.TY
1	Casing	Cast iron	1
3	Motor bracket	Cast iron	1
6	Shaft w ith rotor	[1]	1
7	Impeller	[2]	1
11	Mechanical seal [3]	Carbon/Ceramic/NBR	1
12	Motor frame w ith stator	-	1
13	Motor cover	Aluminium	1
14	Fan	PA6	1
15	Fan cover	Fe P04 Zincate	1
16	Terminal board	-	1
17	Terminal box cover [4]	Aluminium	1
18	Splash ring	NBR	1
19	Pump side ball bearing	-	1
20	Fan side ball bearing	-	1
21	Adjusting ring	Steel C70	1

N°	PART NAME	MATERIAL	Q.TY
22	Tie rod	Fe 42 Zincate	4
23	Capacitor [5]	-	1
24	Priming plug	Brass	1
25	Drain plug	Brass	1
26	O-ring	NBR	1
32	Key	AISI 316	1
34	Impeller nut	AISI 304	1
42	Foot	PP	1
52	Capacitor box [5]	ABS class V-0	1
53	Capacitor box cover [5]	ABS class V-0	1
75	Washer	Aluminium	1
76	Washer	Aluminium	1
110	Protector [5]	-	1
200	Screw	Zincate Steel Cl. 8.8 ISO 898-1	4

[1] Material: AISI 303 (wet extension) for version: CMA, CMB 156-206-306, CMD 206-306

AISI 304 (wet extension) for version: CMB 406-556, CMD 406

[2] Material: Brass for version: CMA, CMB 206-306-406-556

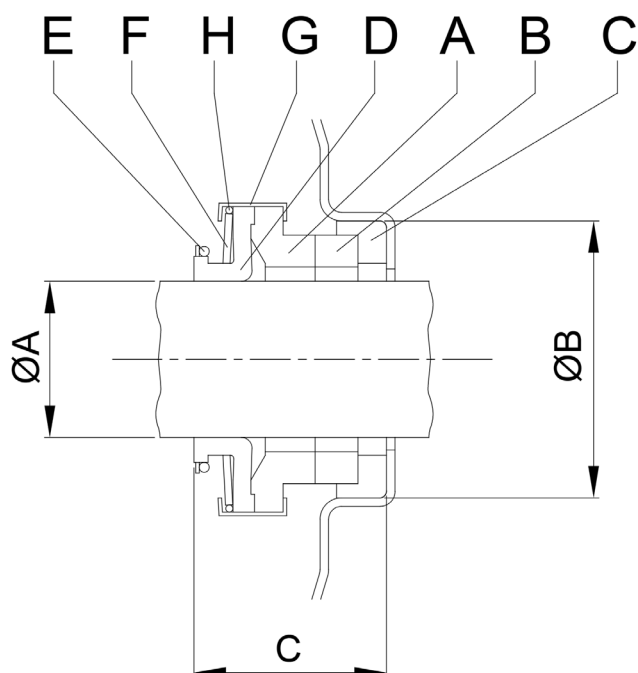
Cast iron for version: CMB 156, CMD

[3] See MECHANICAL SEAL pages 302-303

[4] Only for three phase

[5] Only for single phase

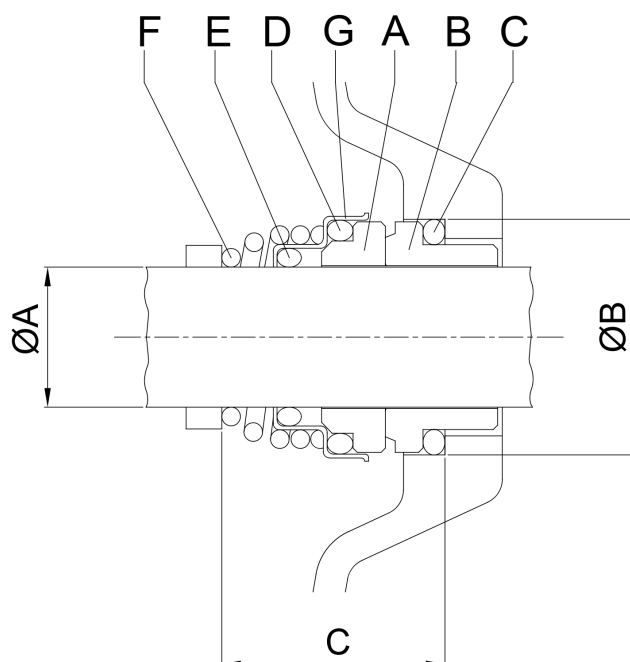
**MECHANICAL SEAL
(UP TO 106)**



Pump type		Dimensions mm		
Single phase	Three phase	Ø A	Ø B	C
CMA 056 M	CMA 056 T	12	26	18,5
CMA 076 M	CMA 076 T	13	26	18,3
CMA 106 M	CMA 106 T			
CMB 076 M	CMB 076 T			
CMB 106 M	CMB 106 T			

REF	PART NAME	MATERIAL
		Standard version
A	Rotary seal ring	Carbon Graphite
B	Stationary seal ring	Ceramic
C	Gasket	NBR
D	Bellows	NBR
E	Ring	AISI 304
F	Self driving spring	AISI 304
G	Frame	AISI 304
H	Retainer ring	AISI 304

**MECHANICAL SEAL
(156 AND ABOVE)**



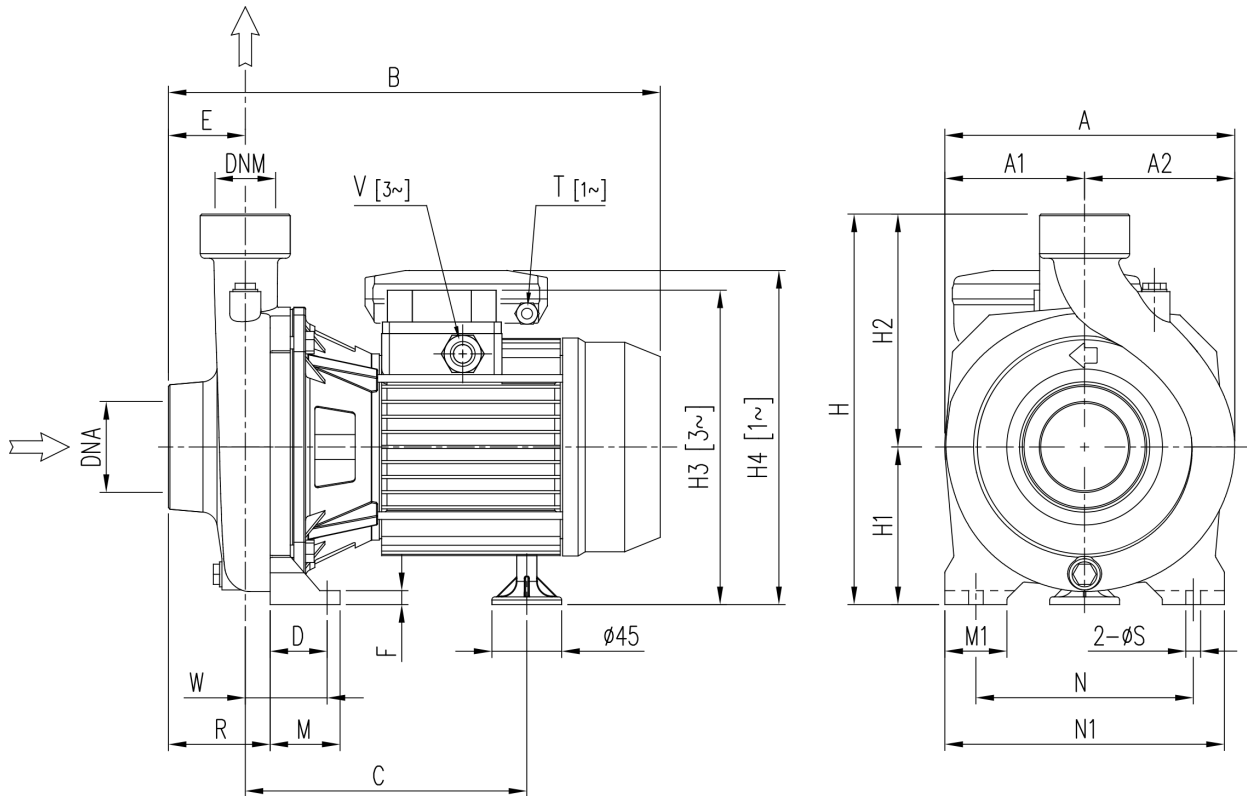
Pump type		Dimensions mm		
Single phase	Three phase	Ø A	Ø B	C
CMA 156 M	CMA 156 T	18	30,9	32
CMA 206 M	CMA 206 T			
-	CMA 306 T			
CMB 156 M	CMB 156 T			
CMB 206 M	CMB 206 T			
-	CMB 306 T			
-	CMB 406 T	20	30,9	33
-	CMB 556 T			
CMD 206 M	CMD 206 T	18	30,9	32
-	CMD 306 T			
-	CMD 406 T			

REF	PART NAME	MATERIAL Standard version
A	Rotary seal ring	Ceramic
B	Stationary seal ring	Carbon Graphite
C	O Ring	NBR
D	O Ring	NBR
E	O Ring	NBR
F	Self driving spring	AISI 316
G	Frame	AISI 304

BEARINGS

Pump type		Ball Bearing	
Single phase	Three Phase	Pump side	Fan side
CMA 056M	CMA 056T	6201 2DW C3	6201 2DW C3
CMA 076M	CMA 076T	6202 2DW C3	6202 2DW C3
CMA 106M	CMA 106T	6202-ZZ C3	6202-ZZ C3
CMA 156M	CMA 156T	6204-ZZ C3	6203-ZZ C3
CMA 206M	CMA 206T	6204-ZZ C3	6203-ZZ C3
-	CMA 306T	6204-ZZ C3	6203-ZZ C3
CMB 076M	CMB 076T	6202 2DW C3	6202 2DW C3
CMB 106M	CMB 106T	6202-ZZ C3	6202-ZZ C3
CMB 156M	CMB 156T	6204-ZZ C3	6203-ZZ C3
CMB 206M	CMB 206T	6204-ZZ C3	6203-ZZ C3
-	CMB 306T	6204-ZZ C3	6203-ZZ C3
-	CMB 406T	6306-ZZ C3	6205-ZZ C3
-	CMB 556T	6306-ZZ C3	6205-ZZ C3
CMD 206M	CMD 206T	6204-ZZ C3	6203-ZZ C3
-	CMD 306T	6204-ZZ C3	6203-ZZ C3
-	CMD 406T	6306-ZZ C3	6205-ZZ C3

PUMP DRAWING

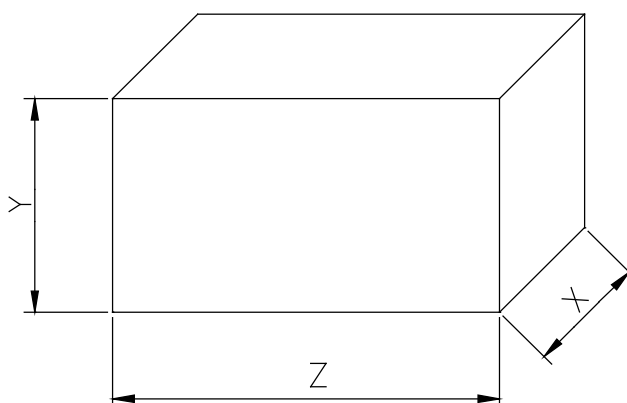


[1~] Single phase
 [3~] Three phase

DIMENSIONS TABLE

Pump type	Dimensions [mm]																				Weight [kgf]				
	A	A1	A2	B	C	D	E	F	H	H1	H2	H3	H4	M	M1	N	N1	R	T	V		W	S	DNA	DNM
CMA 056M	158,5	76,5	82	264	156	30	44	8	202	82	120	-	174,5	40	40	110	150	44	PG11	-	30	9,5	G 1	G 1	7
CMA 056T	158,5	76,5	82	262	159	30	44	8	202	82	120	172,5	-	40	40	110	150	44	-	PG11	30	9,5	G 1	G 1	9
CMA 076M	187	91	96	302	171	37	45	9	232	97	135	-	199	45	40	140	180	45	PG11	-	37	9,5	G 1	G 1	10
CMA 076T	187	91	96	301	172	37	45	9	232	97	135	197,5	-	45	40	140	180	45	-	PG11	37	9,5	G 1	G 1	10
CMA 106M	187	91	96	301	172	37	45	9	232	97	135	-	198	45	40	140	180	45	PG11	-	37	9,5	G 1	G 1	12
CMA 106T	187	91	96	302	171	37	45	9	232	97	135	198	-	45	40	140	180	45	-	M16x1,5	37	9,5	G 1	G 1	12
CMA 156M	196	97	99	348	209	42	45,5	9	252	100	152	-	232	50	40	155	194	45,5	PG13,5	-	42	9,5	G 1 ½	G 1	20
CMA 156T	196	97	99	371	207	42	45,5	9	252	100	152	219	-	50	40	155	194	45,5	-	M20x1,5	42	9,5	G 1 ½	G 1	18
CMA 206M	223	110,5	112,5	361	209	42	45,5	9	285	115	170	-	247	50	40	180	220	45,5	PG13,5	-	42	9,5	G 1 ½	G 1	23
CMA 206T	223	110,5	112,5	359	207	42	45,5	9	285	115	170	234	-	50	40	180	220	45,5	-	M20x1,5	42	9,5	G 1 ½	G 1	22
CMA 306T	223	110,5	112,5	372	207	42	45,5	9	285	115	170	234	-	50	40	180	220	45,5	-	M20x1,5	42	9,5	G 1 ½	G 1	23
CMB 076M	188	90	98	316	183	37	49,5	9	251,5	101,5	150	-	127,5	45	40	140	180	65,5	PG11	-	53	9,5	G 2	G 1 ½	12
CMB 076T	188	90	98	317	182	37	49,5	9	251,5	101,5	150	203,5	-	45	40	140	180	65,5	-	PG11	53	9,5	G 2	G 1 ½	12
CMB 106M	188	90	98	316	183	37	49,5	9	251,5	101,5	150	-	127,5	45	40	140	180	65,5	PG11	-	53	9,5	G 2	G 1 ½	14
CMB 106T	188	90	98	317	182	37	49,5	9	251,5	101,5	150	202,5	-	45	40	140	180	65,5	-	M16x1,5	53	9,5	G 2	G 1 ½	14
CMB 156M	188	90	98	350	207	37	49,5	9	251,5	101,5	150	-	233,5	45	40	140	180	65,5	PG13,5	-	53	9,5	G 2	G 1 ½	19
CMB 156T	188	90	98	373	205	37	49,5	9	251,5	101,5	150	220,5	-	45	40	140	180	65,5	-	M20x1,5	53	9,5	G 2	G 1 ½	19
CMB 206M	212,5	102	110,5	374	210	37	57,5	9	271,5	111,5	160	-	243,5	45	40	160	200	76,5	PG13,5	-	56	9,5	G 2	G 1 ½	21
CMB 206T	212,5	102	110,5	385	208	37	57,5	9	271,5	111,5	160	230,5	-	45	40	160	200	76,5	-	M20x1,5	56	9,5	G 2	G 1 ½	21
CMB 306T	212,5	102	110,5	385	208	37	57,5	9	271,5	111,5	160	230,5	-	45	40	160	200	76,5	-	M20x1,5	56	9,5	G 2	G 1 ½	22
CMB 406T	248,5	121	127,5	460	286	48	60	12	323,5	133,5	190	274,5	-	60	50	190	240	77,5	-	M20x1,5	66	12	G 2	G 1 ½	39
CMB 556T	248,5	121	127,5	467	246	48	60	12	323,5	133,5	190	274,5	-	60	50	190	240	77,5	-	M20x1,5	66	12	G 2	G 1 ½	41
CMD 206M	211	97	114	398	223	37	68	12	271,5	111,5	160	-	243,5	45	40	160	200	100,5	PG13,5	-	70	9,5	G 2 ½	G 2 ½	23
CMD 206T	211	97	114	409	221	37	68	12	271,5	111,5	160	230,5	-	45	40	160	200	100,5	-	M20x1,5	70	9,5	G 2 ½	G 2 ½	22

PACKING



Pump type		Packing [mm]			Weight [kgf]	
Single Phase	Three Phase	X	Y	Z	[1~]	[3~]
CMA 056M	CMA 056T	180	240	300	8	8
CMA 076M	CMA 076T	210	270	330	11	12
CMA 106M	CMA 106T	210	270	330	12	12
CMA 156M	CMA 156T	225	290	400	21	21
CMA 206M	CMA 206T	250	325	400	24	25
-	CMA 306T	250	325	400	-	25
CMB 076M	CMB 076T	210	290	370	13	13
CMB 106M	CMB 106T	210	290	370	15	15
CMB 156M	CMB 156T	225	290	380	20	21
CMB 206M	CMB 206T	250	325	400	22	24
-	CMB 306T	250	325	400	-	23
-	CMB 406T	280	340	490	-	44
-	CMB 556T	280	340	490	-	48
CMD 206M	CMD 206T	237	320	427	24	25
-	CMD 306T	237	320	427	-	25
-	CMD 406T	280	340	490	-	36

[1~] Single phase

[3~] Three phase

MOTOR DATA

Pump type		Power		Efficiency		Capacitor		Efficiency (% load)			Efficiency (% load)			Input		Full load current				Locked rotor current			
Single Phase	Three Phase	[kW]	[HP]	Single Phase	Three Phase	Single Phase		Three phase (380 V)			Three phase (460 V)			Single Phase	Three Phase	[A]			[A]				
						[μF]	[V]	50%	75%	100%	50%	75%	100%			220-230 V	220 V	380 V	460 V	220-230 V	220 V	380 V	460 V
CMA 056M	CMA 056T	0,37	0,5	-	IE3	10	450	75,7	77,1	75,9	71,8	75,1	78,8	0,7	0,55	3,5	1,8	1,0	1,0	10,8	8,6	4,9	6,0
CMA 076M	CMA 076T	0,55	0,75	-	IE3	16	450	82,3	83,5	83,2	80,5	83,1	84,6	1,2	0,9	5,6	2,8	1,6	1,5	23,2	17,9	10,3	12,5
CMA 106M	CMA 106T	0,75	1,0	-	IE3	20	450	80,7	81,9	81,3	78,4	81,6	83,1	1,3	0,9	6,3	2,8	1,6	1,5	33,7	16,9	9,7	11,8
CMA 156M	CMA 156T	1,1	1,5	-	IE3	40	450	84,2	84,7	84,5	83,2	84,7	85,7	1,9	1,75	9,2	5,3	3,1	2,9	55,0	40,2	23,2	28,1
CMA 206M	CMA 206T	1,5	2,0	-	IE3	40	450	86,5	86,8	86,2	86,9	87,8	87,4	2,33	2,48	10,9	7,5	4,3	4,1	69,0	55,7	32,2	38,9
-	CMA 306T	2,2	3,0	-	IE3	-	-	86,5	86,8	86,2	86,9	87,8	87,4	-	2,48	-	7,5	4,3	4,1	-	55,7	32,2	38,9
CMB 076M	CMB 076T	0,55	0,75	-	IE3	14	450	82,3	83,5	83,2	80,5	83,1	84,5	0,93	0,9	4,5	2,7	1,6	1,5	20	17,9	10,3	12,5
CMB 106M	CMB 106T	0,75	1,0	-	IE3	20	450	80,7	81,9	81,3	78,4	81,6	83,1	1,3	0,9	6,4	2,8	1,6	1,5	33,7	16,9	9,7	11,8
CMB 156M	CMB 156T	1,1	1,5	-	IE3	40	450	84,2	84,7	84,5	83,2	84,7	85,7	1,6	1,75	7,8	5,3	3,1	2,9	55,0	40,2	23,2	28,1
CMB 206M	CMB 206T	1,5	2,0	-	IE3	40	450	86,5	86,8	86,2	86,9	87,8	87,4	2,0	2,48	9,8	7,5	4,3	4,1	69,0	55,7	32,2	38,9
-	CMB 306T	2,2	3,0	-	IE3	-	-	86,5	86,8	86,2	86,9	87,8	87,4	-	2,48	-	7,5	4,3	4,1	-	55,7	32,2	38,9
-	CMB 406T	3	4,0	-	IE3	-	-	86,8	87,0	87,5	87,0	87,9	88,5	-	3,42	-	10,2	5,9	5,6	-	75,7	43,7	52,8
-	CMB 556T	4	5,5	-	IE3	-	-	89,7	89,6	88,6	86,1	88,4	88,5	-	4,52	-	13,5	7,8	7,6	-	107,1	61,8	74,9
CMD 206M	CMD 206T	1,5	2,0	-	IE3	31,5	450	86,5	86,8	86,2	86,9	87,8	87,4	2,3	2,48	10,5	7,5	4,3	4,1	-	55,7	32,2	38,9
-	CMD 306T	2,2	3,0	-	IE3	-	-	86,5	86,8	86,2	86,9	87,8	87,4	-	2,48	-	7,5	4,3	4,1	-	55,7	32,2	38,9
-	CMD 406T	3	4,0	-	IE3	-	-	83,1	85,2	85,9	79,9	84,0	85,7	-	3,80	-	11,1	6,4	-	-	81,6	47,1	-