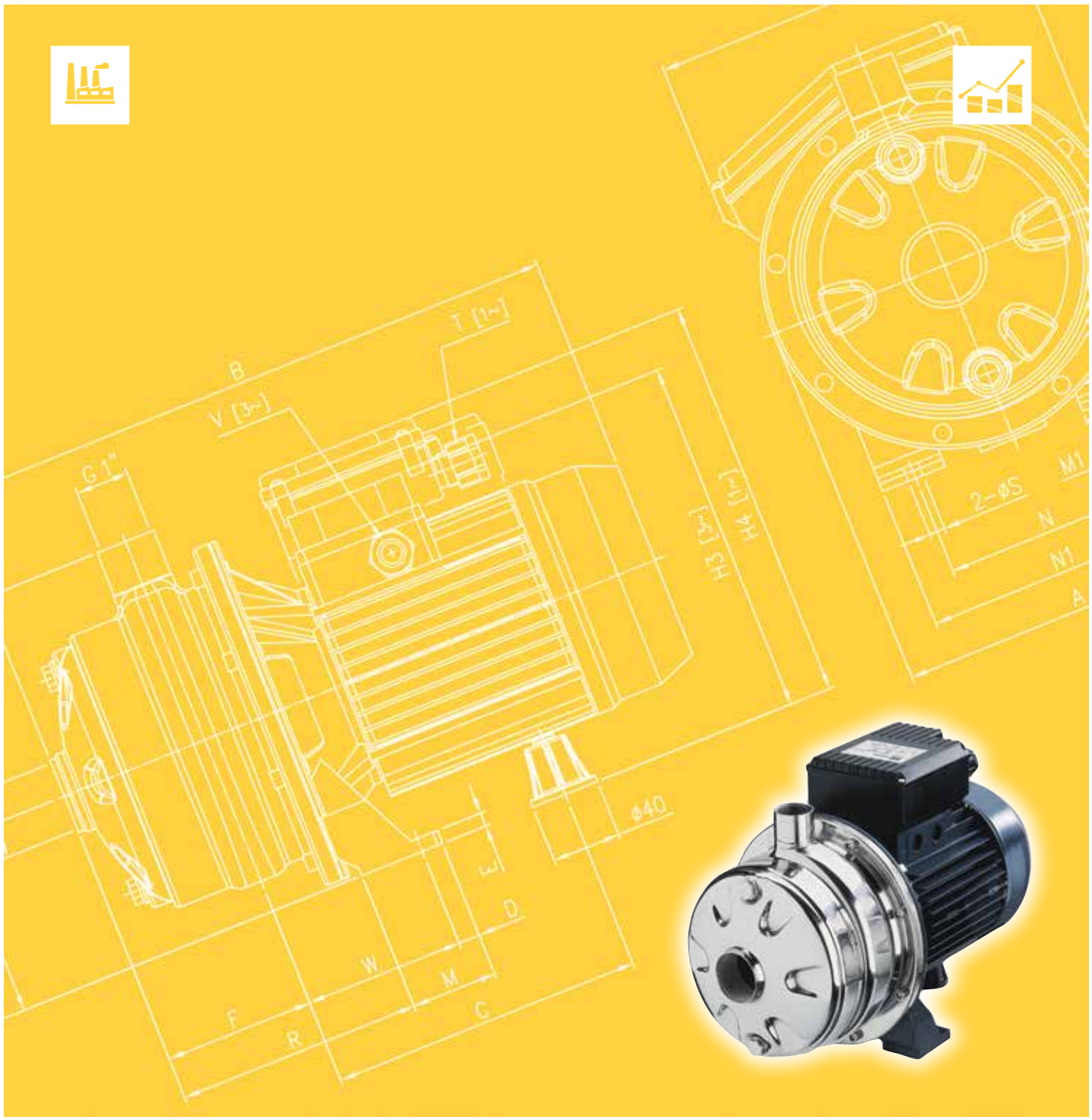




Japanese Technology since 1912


2CDX

Data Book 60Hz



	Page
- SPECIFICATIONS ^①	200
PERFORMANCE RANGE and SELECTION CHART	201
TYPE KEY and CURVE SPECIFICATIONS	202
PERFORMANCE CURVE 2CDX 70	203
PERFORMANCE CURVE 2CDX 120	204
PERFORMANCE CURVE 2CDX 200	205
- CONSTRUCTIONS	300
SECTIONAL VIEW	300
THERMAL INSULATION	301
MECHANICAL SEAL	302
BEARINGS	304
- DIMENSIONS and WEIGHT	400
PUMP	400
PACKING	401
- TECHNICAL DATA	500
MOTOR DATA	500

① click INDEX to jump CORRESPONDING SECTION

② click  to go back to INDEX

SPECIFICATIONS

60Hz

Rev. L

PUMP		
Liquid Handled	Type of liquid	Clean water
	Temperature [°C]	min. -5 max. +60 (Standard – E - Q1AEGG – VAEGG – U3U3EGG - Q1U3EGG - U3CEGG) max. +110 (H – HS – HW - HSW)
Maximum working pressure	[MPa]	0.8
Construction	Impeller	Closed centrifugal type (Two)
	Shaft seal type	Mechanical seal
	Bearing	Sealed ball bearing
Pipe Connection	Suction [inch]	from G1 ¹ / ₄ to G1 ¹ / ₂ UNI ISO 228
	Discharge [inch]	G1" UNI ISO 228
Material	Casing	AISI 304
	Impeller	AISI 304
	Casing cover	AISI 304
	Shaft seal	Ceramic/Carbon/NBR (for versions see page 302)
	Shaft	AISI 304 (Wet extension)
	Bracket	Aluminium (up to 2.2 kW included) Cast iron (3.0 kW and above)
	Diffuser	AISI 304
Applicable standard of test		ISO 9906:2012 - Grade 3B

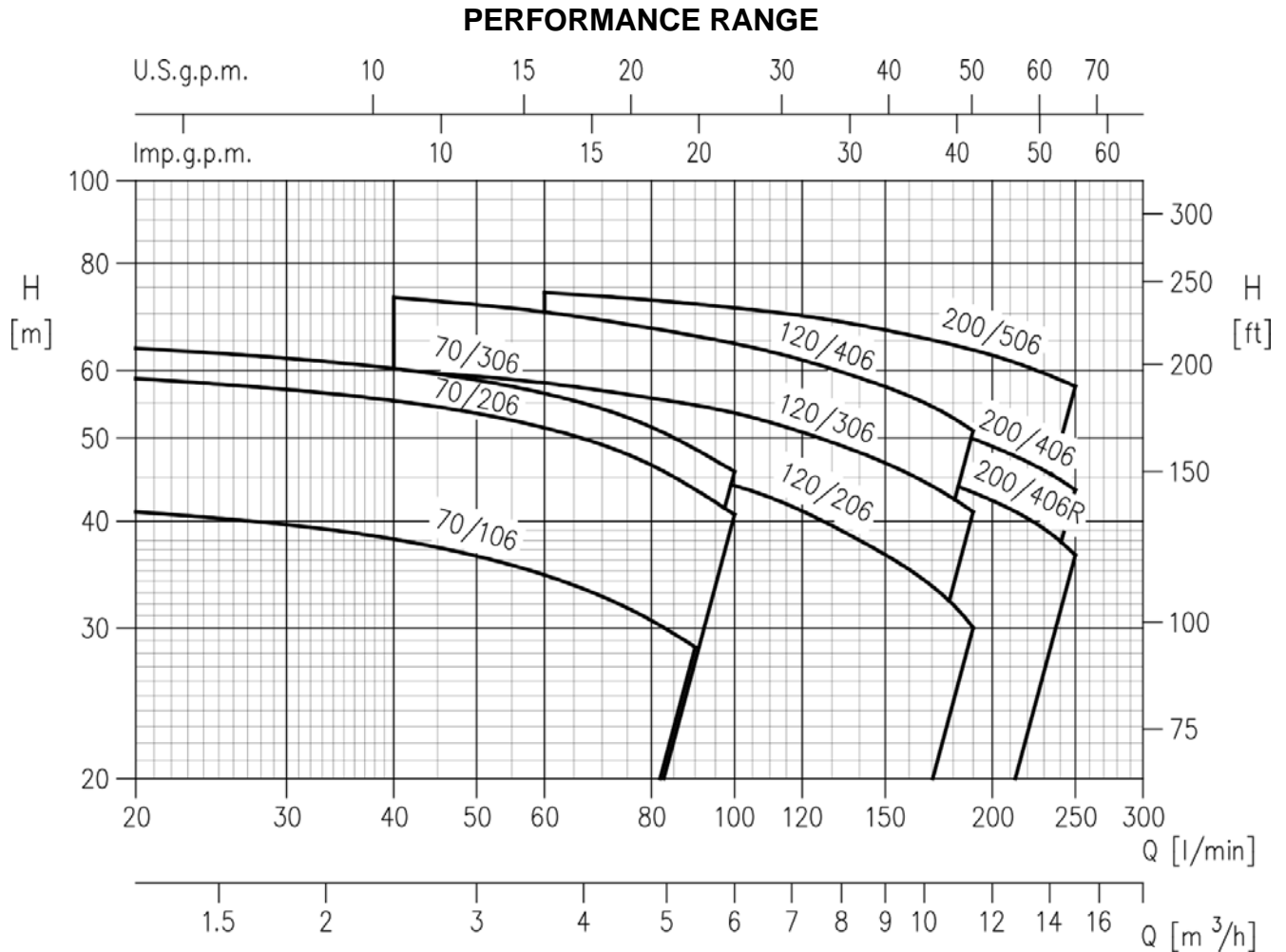
MOTOR		
Type	Electric - TEFC	
	Single Phase	Three Phase
Efficiency Level	-	IE3* from 0.75 up to 4.0 kW
No. of Poles		2
Rotation speed [min ⁻¹]		≈ 3400
Insulation Class		F
Protection degree (CEI EN 60034-5)		IP 55
Power rating	[kW]	0.75 ÷ 2.2
	[HP]	1 ÷ 3.0
Frequency [Hz]		60
Voltage [V]	220-230 ±6%	220/380-460 ±10% (IE3* from 0.75 up to 4.0kW)
Capacitor	Built in	-
Over load protection	Built in	Provided by the user
Casing material		Aluminium
Base Material / Motor support		Aluminium
Dimensions of cable entry		PG 11 – PG 13.5 – M16x1.5 – M20x1.5 (see dimensions table page 400)

(*) Only for 460V

PERFORMANCE RANGE and SELECTION CHART

60Hz

Rev. L



SELECTION CHART

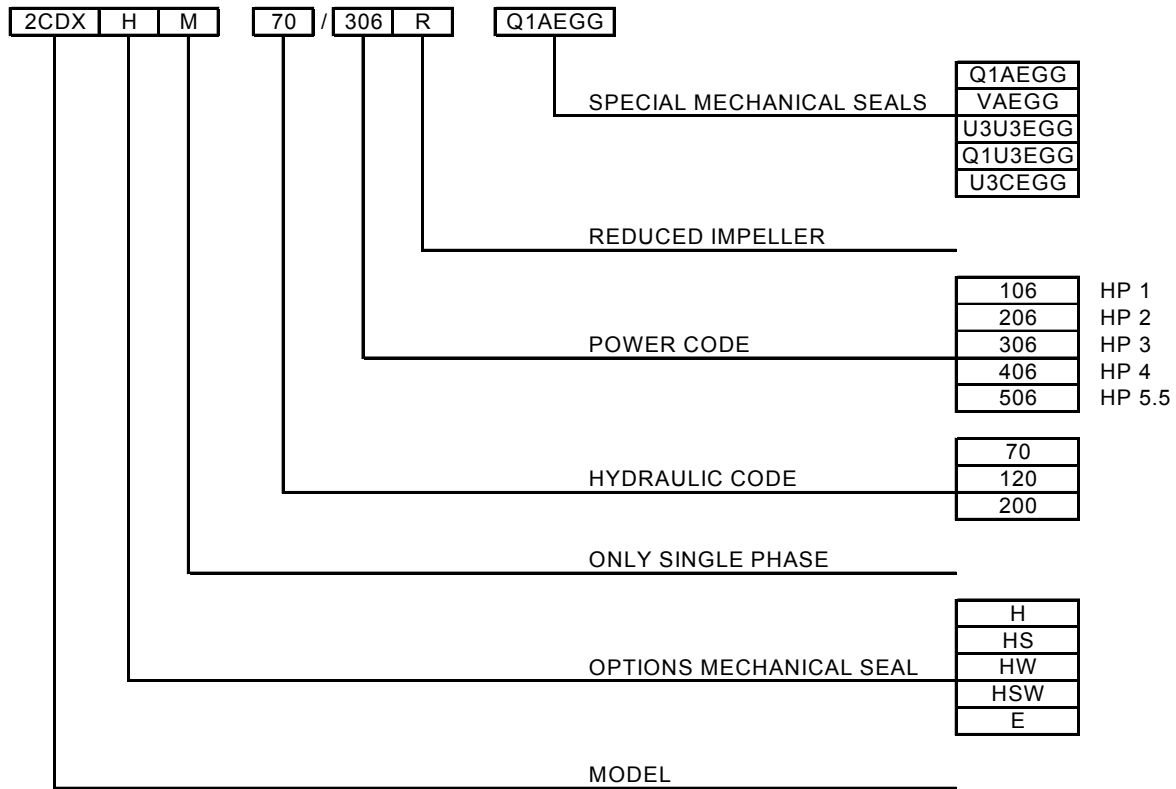
Pump type		Power		Q=Capacity												
				l/min	20	40	60	90	100	120	140	160	190	240	250	
Single Phase	Three Phase	[kW]	[HP]	m³/h	0	1.2	2.4	3.6	5.4	6.0	7.2	8.4	9.6	11.4	14.4	15
				H=Total manometric head in meters												
2CDXM 70/106	2CDX 70/106	0.75	1	43	41	38.1	34.6	28.5	-	-	-	-	-	-	-	-
2CDXM 70/206	2CDX 70/206	1.5	2	62	58.5	55.5	51.5	44	40.5	-	-	-	-	-	-	-
2CDXM 70/306	2CDX 70/306	2.2	3	67	63.5	60.5	56.5	49	45.5	-	-	-	-	-	-	-
-	2CDX 120/206	1.5	2	54.5	-	50.5	48.5	45	44	41.5	38.6	35.6	30	-	-	-
-	2CDX 120/306	2.2	3	64.5	-	60	58	54.5	53.5	51	48.5	45.5	41	-	-	-
-	2CDX 120/406	3.0	4	78	-	73	70	66	64.5	62	59	56	51	-	-	-
-	2CDX 200/406	3.0	4	65	-	-	60	58	57	55.5	54	52.5	50	45	43.5	-
-	2CDX 200/406R	3.0	4	57.5	-	-	53.5	51.5	51	49.5	47.5	46	43	37.9	36.5	-
-	2CDX 200/506	4.0	5.5	79	-	-	74	72	71	69.5	68	66	63.5	58.5	57.5	-

TYPE KEY and CURVE SPECIFICATIONS

60Hz

Rev. L

TYPE KEY



PERFORMANCE CURVE SPECIFICATIONS

The specifications below qualify the curves shown on the following pages.

Tolerances according to ISO 9906:2012 - Grade 3B

The curves refer to effective speed of asynchronous motors at 60 Hz, 2 poles.

Measurements were carried out with clean water at 20°C of temperature and with a kinematic viscosity of $\nu = 1 \text{ mm}^2/\text{s}$ (1 cSt)

The NPSH curve is an average curve obtained in the same conditions of performance curves.

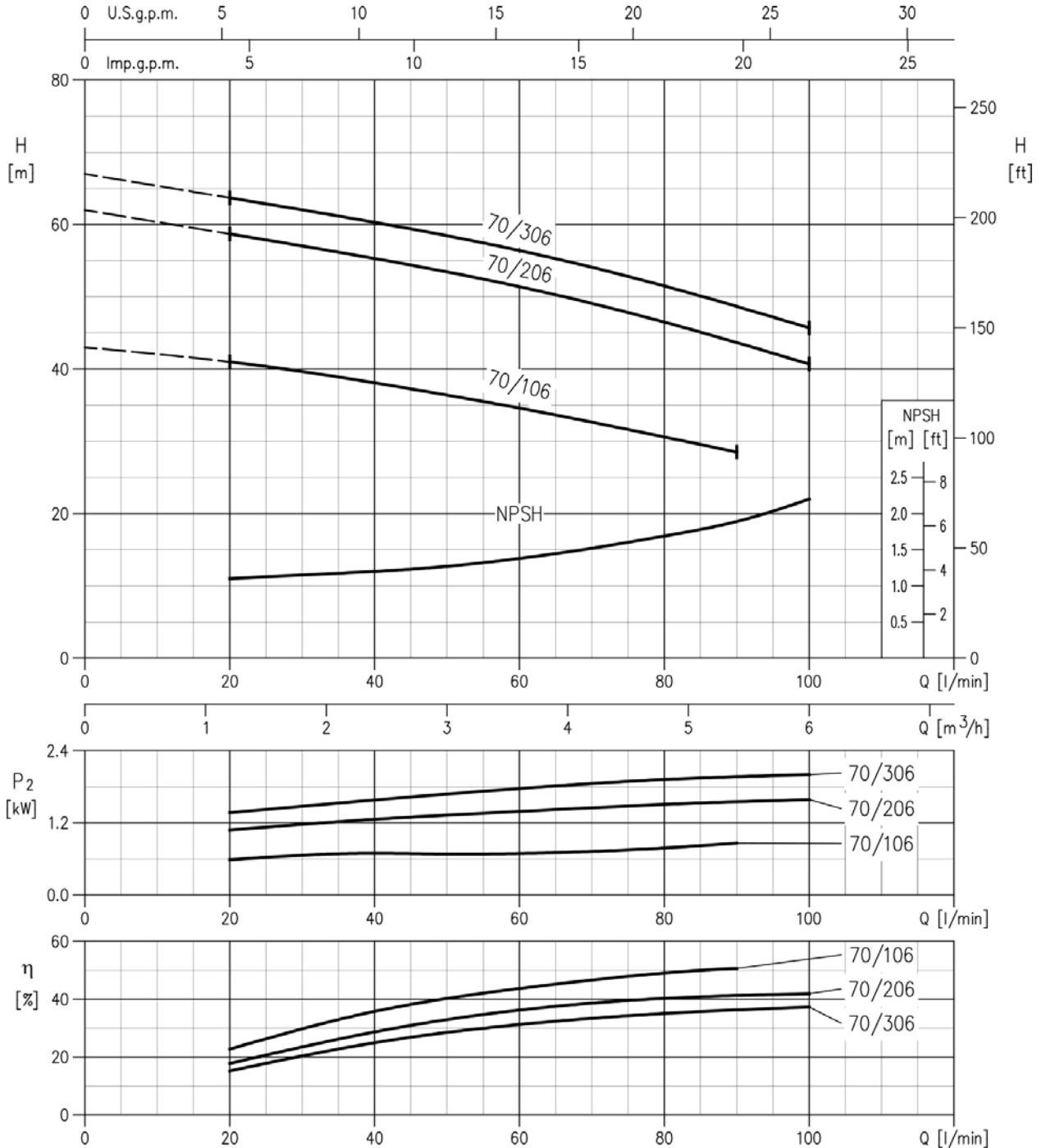
The continuous curves indicate the recommended working range. The dotted curve is only a guide.

In order to avoid the risk of over-heating, the pumps should not be used at a flow rate below 10% of best efficiency point.

Symbols explanation:

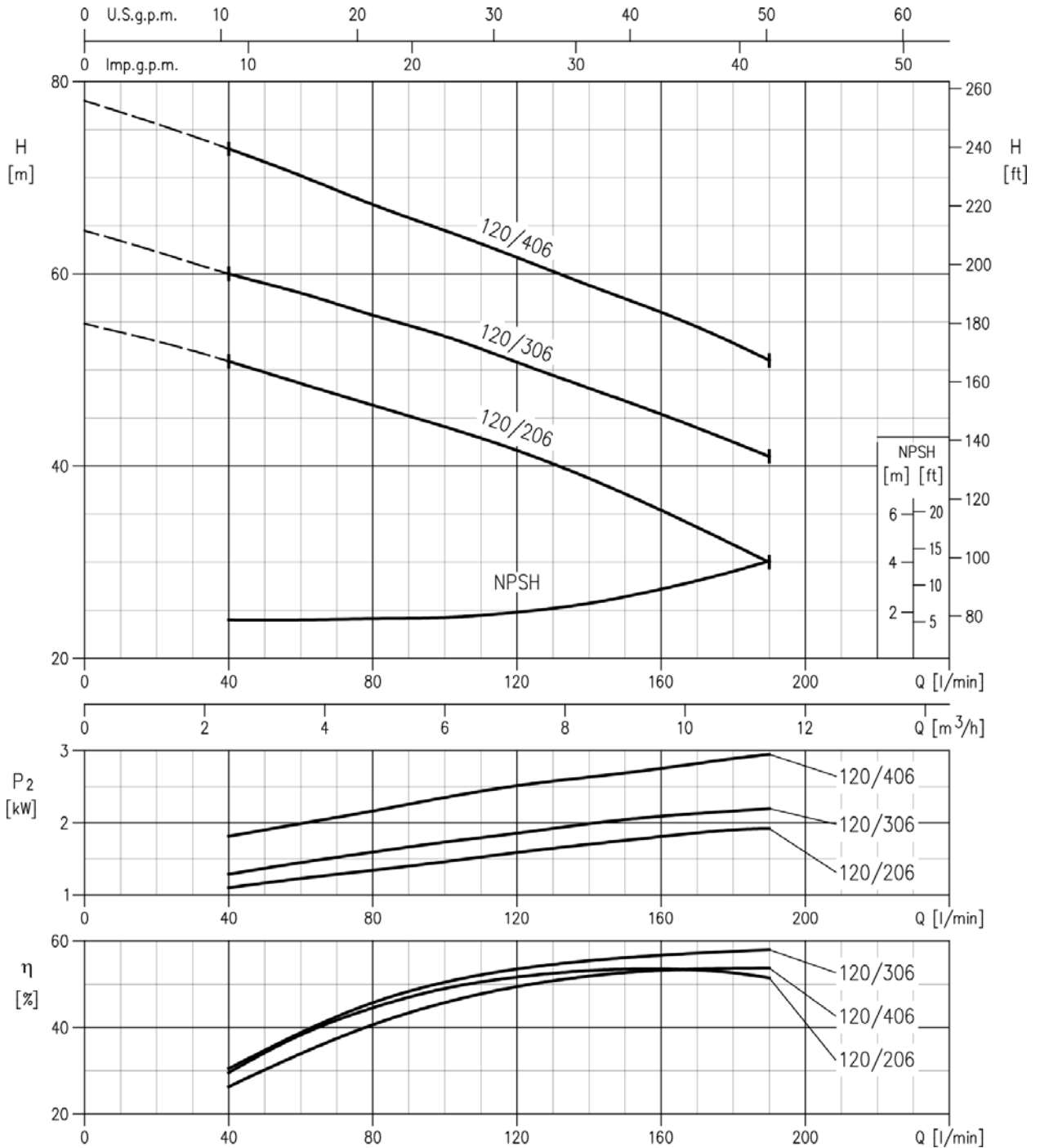
- Q = volume flow rate
- H = total head
- P_2 = pump power input (shaft power)
- η = pump efficiency
- NPSH = net positive suction head required by the pump

2CDX 70/106 (0.75 kW) - Impeller diameter = 115/115 mm
 2CDX 70/206 (1.5 kW) - Impeller diameter = 132/132 mm
 2CDX 70/306 (2.2 kW) - Impeller diameter = 132/153 mm



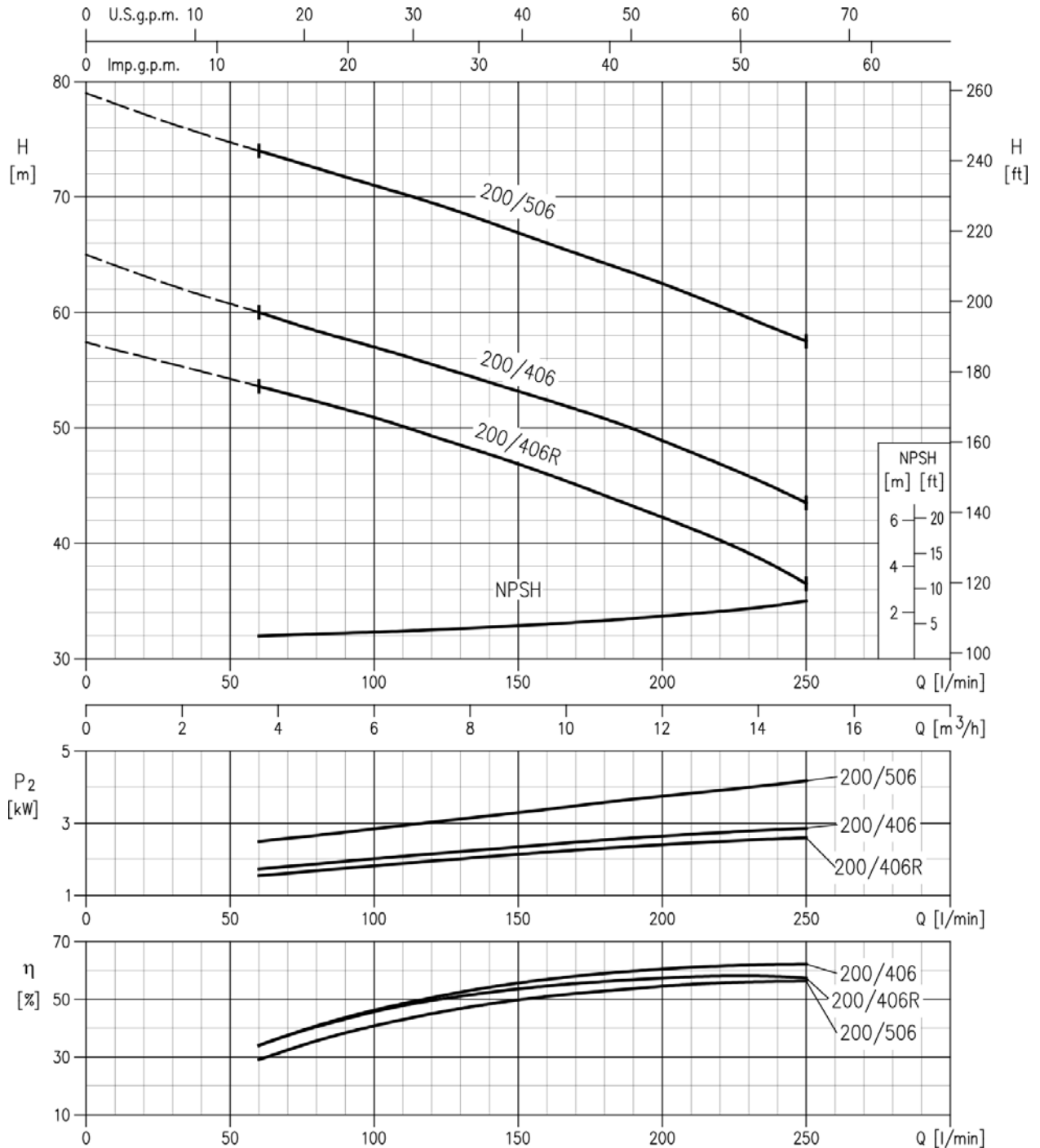
Rotation speed $\approx 3400 \text{ min}^{-1}$
 Test standard: ISO 9906:2012 - Grade 3B

2CDX 120/206 (1.5 kW) - Impeller diameter = 115/132 mm
 2CDX 120/306 (2.2 kW) - Impeller diameter = 132/132 mm
 2CDX 120/406 (3.0 kW) - Impeller diameter = 132/157 mm



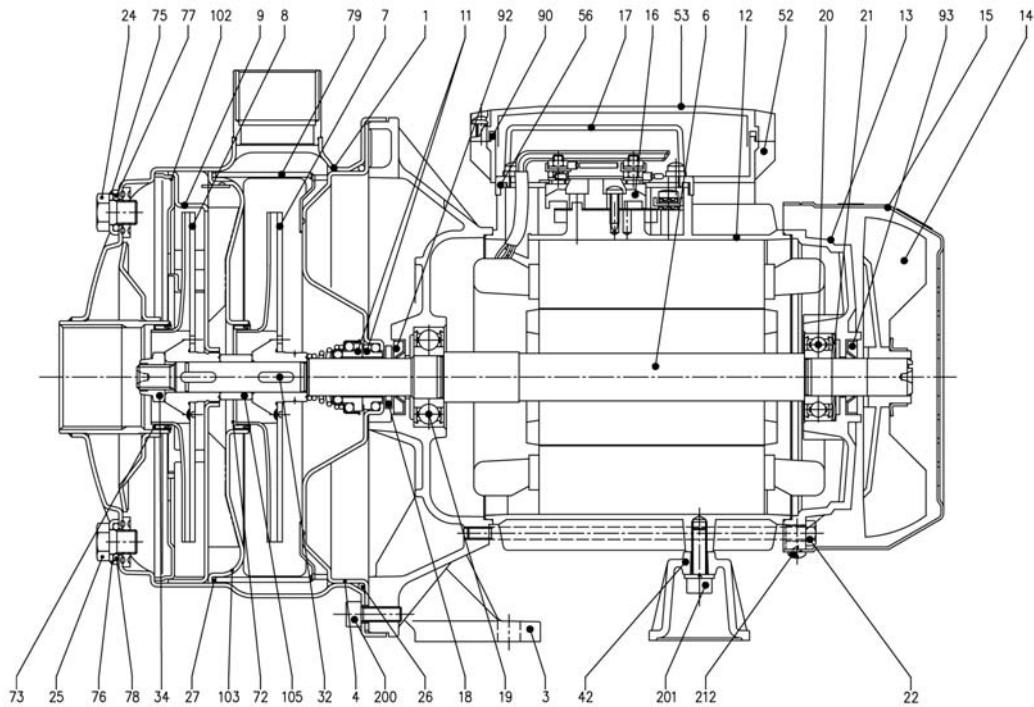
Rotation speed ≈ 3400 min⁻¹
 Test standard: ISO 9906:2012 - Grade 3B

2CDX 200/406 (3.0 kW) - Impeller diameter = 132/132 mm
 2CDX 200/406R (3.0 kW) - Impeller diameter = 115/132 mm
 2CDX 200/506 (4.0 kW) - Impeller diameter = 132/157 mm



Rotation speed $\approx 3400 \text{ min}^{-1}$
 Test standard: ISO 9906:2012 - Grade 3B

SECTIONAL VIEW

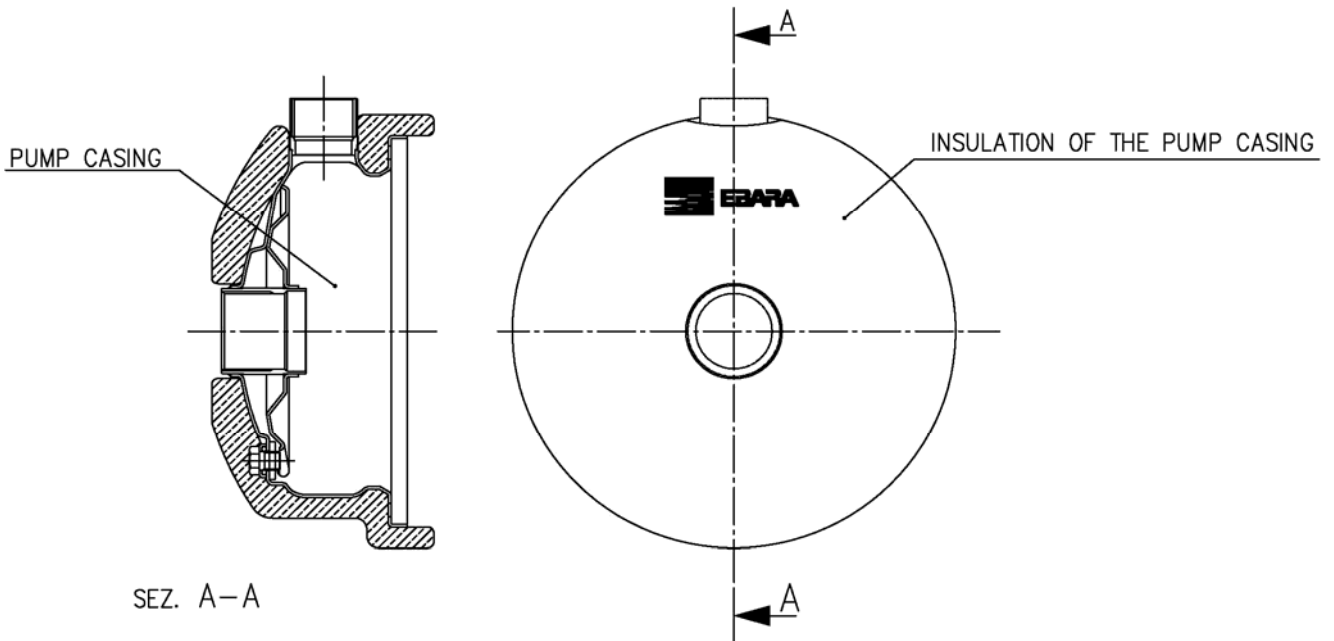


N°	PART NAME	MATERIAL	Q.TY
1	Casing	AISI 304	1
3	Motor bracket	[4]	1
4	Casing cover	AISI 304	1
6	Shaft with rotor	AISI 304 (Wet extension)	1
7	Impeller	AISI 304	1
8	Impeller	AISI 304	1
9	Diffuser	AISI 304	1
11	Mechanical seal [6]	Ceramic/Carbon/NBR	1
12	Motor frame with stator	-	1
13	Motor cover	Aluminium	1
14	Fan	PA	1
15	Fan cover	Fe P04 Zincate	1
16	Terminal board	-	1
17	Terminal box cover [2]	Aluminium	1
18	Splash ring	NBR	1
19	Pump side ball bearing	-	1
20	Fan side ball bearing	-	1
21	Adjusting ring	Steel C70	1
22	Tie rod	Fe 420 Zincate	4
23	Capacitor [1]	-	1
24	Priming plug	AISI 304	1
25	Drain plug	AISI 304	1
26	O-ring [3]	NBR	1
27	O-ring [3]	NBR	1

N°	PART NAME	MATERIAL	Q.TY
32	Key	AISI 316	2
34	Impeller nut	AISI 304	1
42	Motor support	Aluminium	1
52	Capacitor box [1]	ABS class V-0	1
53	Capacitor box cover [5]	ABS class V-0	1
56	Box gasket	NBR	1
72	Casing ring [3]	NBR	1
73	Casing ring [3]	NBR	1
75	Washer	AISI 304	1
76	Washer	AISI 304	1
77	O-ring [3]	NBR	1
78	O-ring [3]	NBR	1
79	Space diffuser	AISI 304	1
90	Terminal box cover gasket [7]	NBR	1
92	Lip seal	-	1
93	Lip seal	-	1
102	Suction cover	AISI 304	1
103	Conveyor cover	AISI 304	1
105	Sleeve	AISI 304	1
110	Protector [1]	-	1
200	Screw	Stainless steel A2 UNI7323	8
201	Screw	Zincate Steel	4
212	Screw	Zincate Steel	1

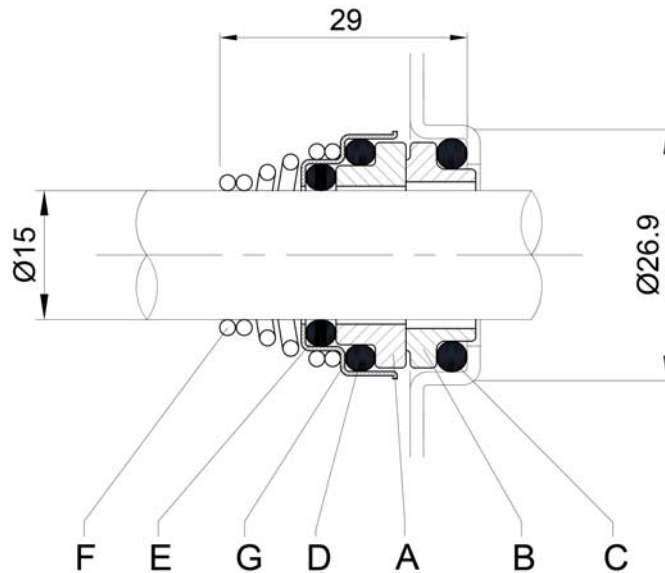
- [1] Only for single phase
- [2] Only for three phase
- [3] FPM for H, HS, HW, HSW
EPDM for E and Special Mechanical Seal
- [4] Material: Aluminium for version up to 2.2 kW included
Cast iron for version 3.0 kW and above
- [5] With gasket in NBR only for version single phase 2CDXM 70/106
- [6] See **MECHANICAL SEAL** pages 302-303
- [7] Only for version single phase 2CDXM 70/206; 2CDXM 70/306

THERMAL INSULATION



Pump Type	Insulation of the pump casing
2CDX 70/106	ON REQUEST
2CDX 70/206	
2CDX 70/306	
2CDX 120/206	
2CDX 120/306	
2CDX 120/406	
2CDX 200/406	
2CDX 200/406R	
2CDX 200/506	

MECHANICAL SEAL



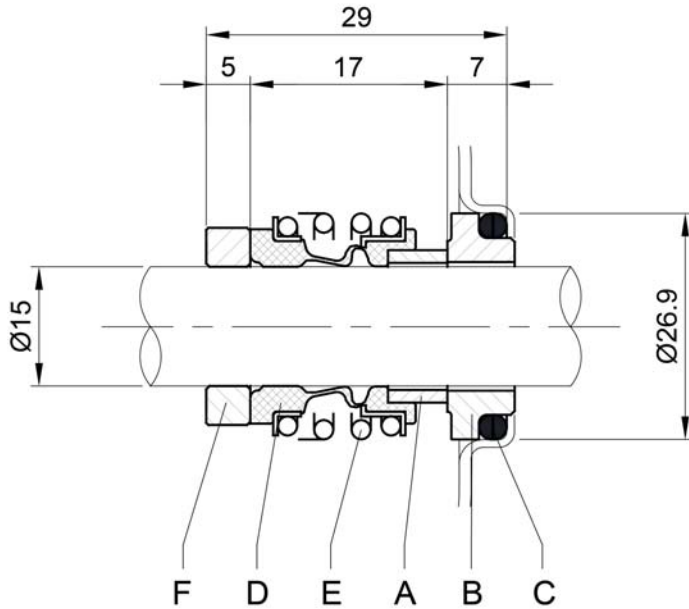
STANDARD

REF	PART NAME	MATERIAL
A	Rotary seal ring	Ceramic
B	Stationary seal ring	Carbon graphite
C	O-Ring	NBR
D	O-Ring	NBR
E	O-Ring	NBR
F	Self-driving spring	AISI 316
G	Frame	AISI 304

REF	PART NAME	MATERIAL			
		H	HW	HSW	E
OPTIONAL	A Rotary seal ring	Ceramic	Tungsten carbide	Silicon carbide	Ceramic
	B Stationary seal ring	Carbon graphite	Tungsten carbide	Tungsten carbide	Carbon graphite
	C O-Ring	FPM	FPM	FPM	EPDM
	D O-Ring	FPM	FPM	FPM	EPDM
	E O-Ring	FPM	FPM	FPM	EPDM
	F Self-driving spring	AISI 316	AISI 316	AISI 316	AISI 316
	G Frame	AISI 304	AISI 316	AISI 316	AISI 316

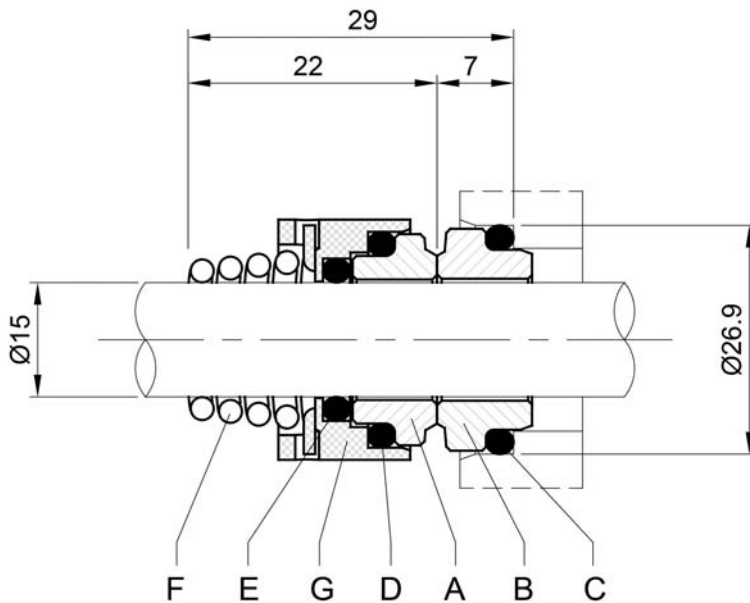
REF	PART NAME	MATERIAL			
		Q1U3EGG	VAEGG	U3U3EGG	U3CEGG
SPECIAL	A Rotary seal ring	Silicon carbide	Ceramic	Tungsten carbide	Tungsten carbide
	B Stationary seal ring	Tungsten carbide	Metallised carbon	Tungsten carbide	special Carbon
	C O-Ring	EPDM	EPDM	EPDM	EPDM
	D O-Ring	EPDM	EPDM	EPDM	EPDM
	E O-Ring	EPDM	EPDM	EPDM	EPDM
	F Self-driving spring	AISI 316	AISI 316	AISI 316	AISI 316
	G Frame	AISI 316	AISI 316	AISI 316	AISI 316

MECHANICAL SEAL



OPTIONAL

REF	PART NAME	MATERIAL HS
A	Rotary seal ring	Silicon carbide
B	Stationary seal ring	Silicon carbide
C	O-Ring	FPM
D	Bellows	FPM
E	Frame + Spring	AISI 316
F	Spacer ring	AISI 316



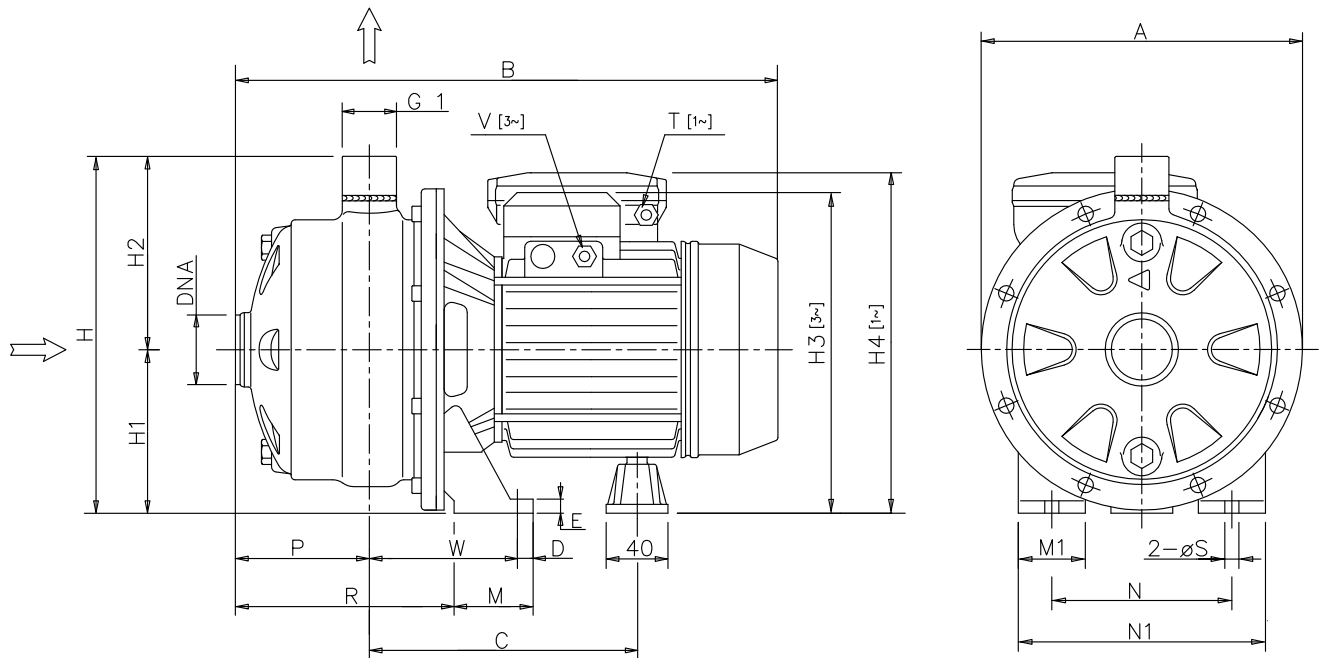
SPECIAL

REF	PART NAME	MATERIAL Q1AEGG
A	Rotary seal ring	Silicon carbide
B	Stationary seal ring	Metallised carbon
C	O-Ring	EPDM
D	O-Ring	EPDM
E	O-Ring	EPDM
F	Self-driving spring	AISI 316
G	Frame	AISI 316

BEARINGS

Pump type		Ball Bearing			
Single Phase	Three Phase	Pump side		Fan side	
		[1~]	[3~]	[1~]	[3~]
2CDXM 70/106	2CDX 70/106	6203 2RSH	6203 ZZ C3	6202 2RSH	6202 ZZ C3
2CDXM 70/206	2CDX 70/206	6204 2RSH	6204 ZZ C3	6203 2RSH	6203 ZZ C3
2CDXM 70/306	2CDX 70/306	6204 2RSH	6204 ZZ C3	6203 2RSH	6203 ZZ C3
-	2CDX 120/206	-	6204 ZZ C3	-	6203 ZZ C3
-	2CDX 120/306	-	6204 ZZ C3	-	6203 ZZ C3
-	2CDX 120/406	-	6205 ZZ C3	-	6205 ZZ C3
-	2CDX 200/406	-	6205 ZZ C3	-	6205 ZZ C3
-	2CDX 200/406R	-	6205 ZZ C3	-	6205 ZZ C3
-	2CDX 200/506	-	6206 ZZ C3	-	6205 ZZ C3

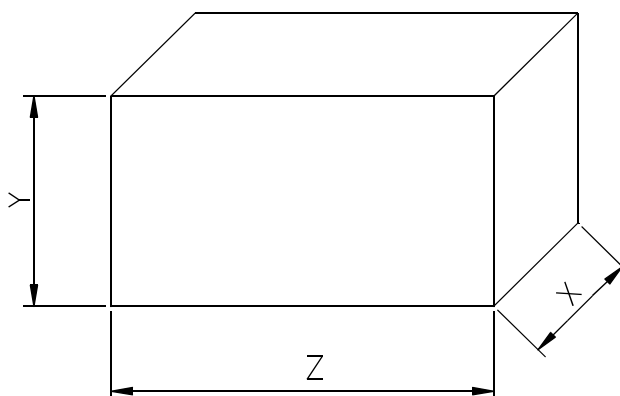
PUMP



Pump type		Dimensions [mm]																				Weight [kgf]			
Single Phase	Three Phase	A	B [1~]	B [3~]	C	D	E	H	H1	H2	H3 [3~]	H4 [1~]	M	M1	N	N1	P	R	S	T [1~]	V [3~]	W	DNA	[1~]	[3~]
2CDXM 70/106	2CDX 70/106	208	354	354	181	12.5	8	229	106	123	208	216	50	38	120	160	87	142	Ø9	PG11	M16x1.5	93	G 1"¼	12.6	12
2CDXM 70/206	2CDX 70/206	208	393	405	199	12.5	8	229	106	123	225	242	55	40	140	180	87	140	Ø9	PG 13.5	M20x1.5	95	G 1"¼	16.6	17
2CDXM 70/306	2CDX 70/306	208	393	405	199	12.5	8	229	106	123	225	242	55	40	140	180	87	140	Ø9	PG 13.5	M20x1.5	95	G 1"¼	16.9	17
-	2CDX 120/206	208	-	407.5	199	12.5	8	229	106	123	225	-	55	40	140	180	89	142	Ø9	-	M20x1.5	95	G 1"¼	-	18.4
-	2CDX 120/306	208	-	407.5	199	12.5	8	229	106	123	225	-	55	40	140	180	89	142	Ø9	-	M20x1.5	95	G 1"¼	-	21
-	2CDX 120/406	208	-	459	224/235	12.5	8	229	106	123	230	-	65	40	140	180	89	146	Ø9	-	M20x1.5	109	G 1"¼	-	25.9
-	2CDX 200/406	208	-	457	224/235	12.5	8	229	106	123	230	-	65	40	140	180	87	144	Ø9	-	M20x1.5	109	G 1"½	-	25.7
-	2CDX 200/406R	208	-	457	224/235	12.5	8	229	106	123	230	-	65	40	140	180	87	144	Ø9	-	M20x1.5	109	G 1"½	-	25.7
-	2CDX 200/506	208	-	480	233	16	12	241	118	123	259	-	68	50	160	210	87	144	Ø12	-	M20x1.5	109	G 1"¼	-	35.7

[1~] Single phase
[3~] Three phase

PACKING



Pump type		Packing [mm]			Weight [kgf]	
Single Phase	Three Phase	X	Y	Z	[1~]	[3~]
2CDXM 70/106	2CDX 70/106	237	280	445	13.3	12.9
2CDXM 70/206	2CDX 70/206	237	285	500	17.5	17.8
2CDXM 70/306	2CDX 70/306	237	285	500	17.8	16.9
-	2CDX 120/206	237	285	500	-	19.3
-	2CDX 120/306	237	285	500	-	21.8
-	2CDX 120/406	237	285	585	-	26.7
-	2CDX 200/406	237	285	585	-	26.5
-	2CDX 200/406R	237	285	585	-	26.5
-	2CDX 200/506	237	285	585	-	36.6

[1~] Single phase

[3~] Three phase

MOTOR DATA

Pump type		Power		Capacitor		Efficiency (% load)			Efficiency (% load)			Input		Full load current				Locked rotor current			
Single Phase	Three Phase	[kW]	[HP]	Single Phase		Three phase (380 V)			Three phase (460 V)			Single Phase	Three Phase	[A]				[A]			
				[μF]	[V]	50%	75%	100%	50%	75%	100%			220-230 V	220 V	380 V	460 V	220-230 V	220 V	380 V	460 V
2CDXM 70/106	2CDX 70/106	0.75	1.0	20	450	80.7	81.9	81.3	78.4	81.6	83.1	1.37	0.90	6.4	2.8	1.6	1.5	33.8	16.9	9.7	11.8
2CDXM 70/206	2CDX 70/206	1.5	2.0	40	450	86.5	86.8	86.2	86.9	87.8	87.4	2.05	2.48	9.9	7.5	4.3	4.1	69.0	55.7	32.2	38.9
2CDXM 70/306	2CDX 70/306	2.2	3.0	40	450	86.5	86.8	86.2	86.9	87.8	87.4	2.63	2.48	11.9	7.5	4.3	4.1	69.0	55.7	32.2	38.9
-	2CDX 120/206	1.5	2.0	-	-	86.5	86.8	86.2	86.9	87.8	87.4	-	2.48	-	7.5	4.3	4.1	-	55.7	32.2	38.9
-	2CDX 120/306	2.2	3.0	-	-	86.5	86.8	86.2	86.9	87.8	87.4	-	2.48	-	7.5	4.3	4.1	-	55.7	32.2	38.9
-	2CDX 120/406	3.0	4.0	-	-	86.8	87.0	87.5	87.0	87.9	88.5	-	3.42	-	10.2	5.9	5.6	-	75.7	43.7	52.8
-	2CDX 200/406	3.0	4.0	-	-	86.8	87.0	87.5	87.0	87.9	88.5	-	3.42	-	10.2	5.9	5.6	-	75.7	43.7	52.8
-	2CDX 200/506	3.7	5.0	-	-	89.7	89.6	88.6	86.1	88.4	88.5	-	4.52	-	13.5	7.8	7.6	-	107.1	61.8	74.9