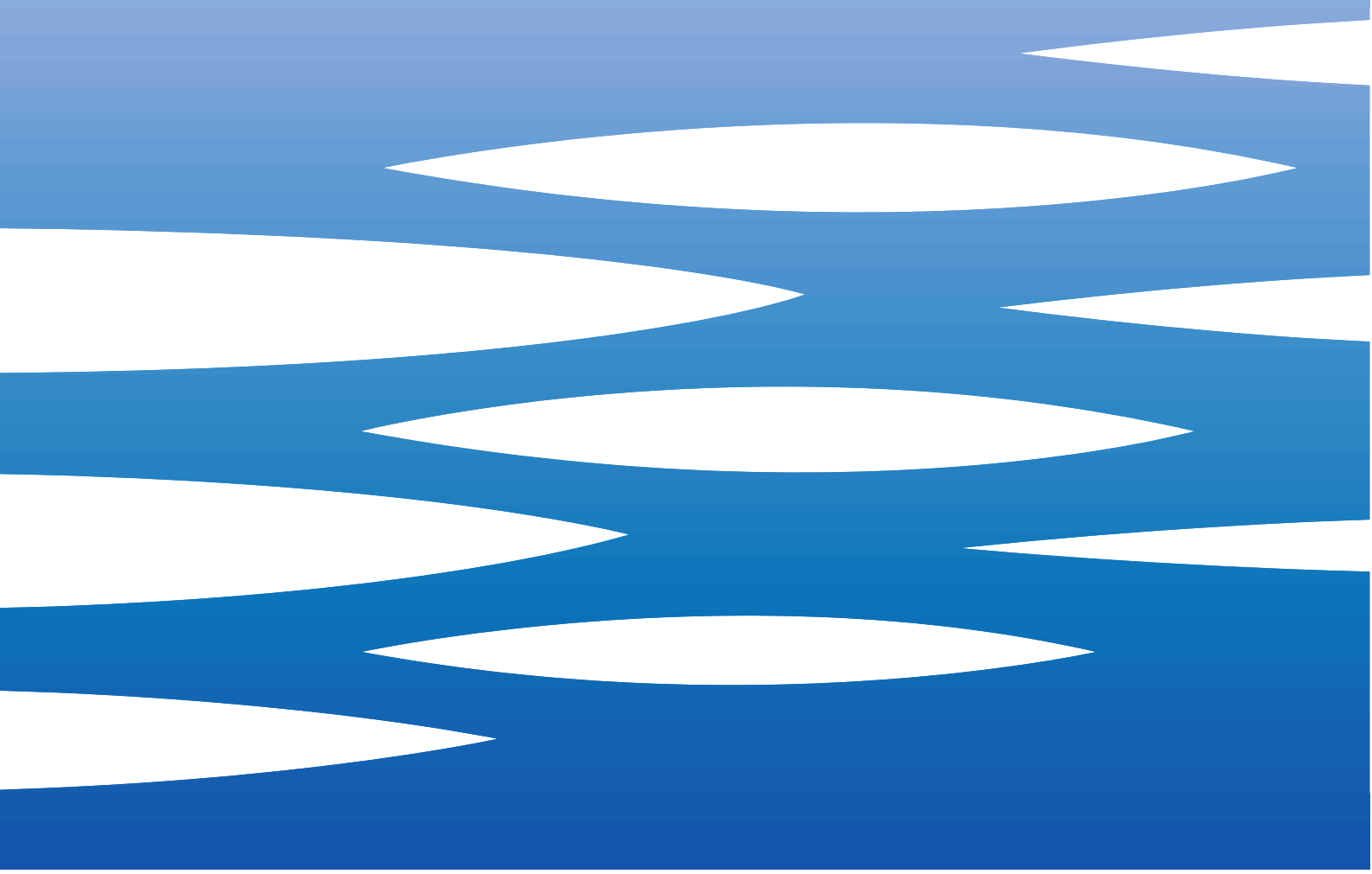





EBARA



	Page
- SPECIFICATIONS ^①	200
PERFORMANCE RANGE and SELECTION CHART	201
TYPE KEY and CURVES SPECIFICATIONS	202
PERFORMANCE CURVES JESX 056	203
PERFORMANCE CURVES JESX 066	203
PERFORMANCE CURVES JESX 086	203
- CONSTRUCTIONS	300
SECTIONAL VIEW	300
MECHANICAL SEAL	301
BEARINGS	301
- DIMENSIONS and WEIGHT	400
PUMP	400
PACKING	401
- TECHNICAL DATA	500
MOTOR DATA	500
- INSTALLATION	600

① click INDEX to jump CORRESPONDING SECTION

② click  to go back to INDEX

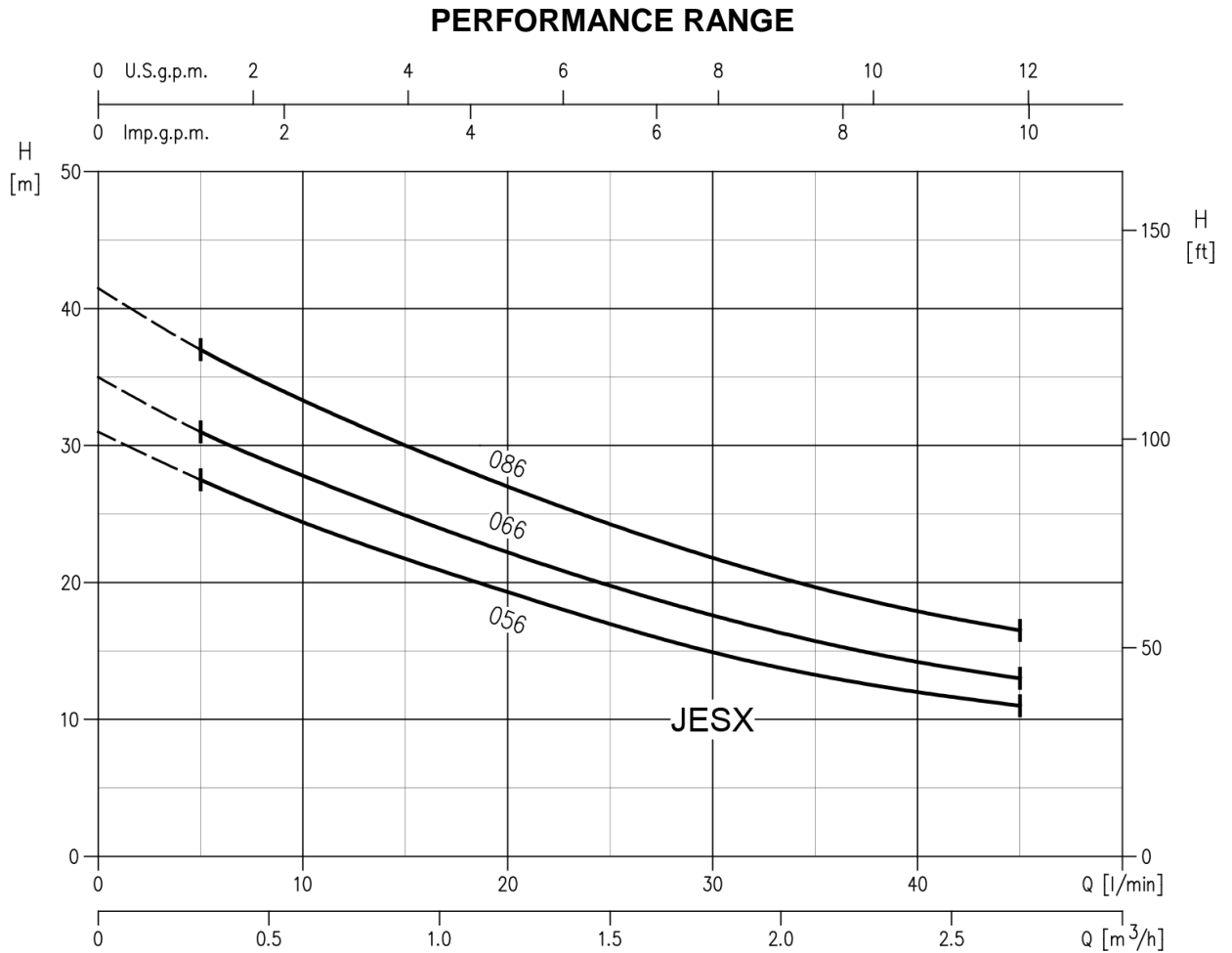
SPECIFICATIONS

60Hz

Rev. A

PUMP		
Liquid Handled	Type of liquid	Clean water
	Temperature [°C]	min. +5 max. +45
Maximum working pressure	[MPa]	0.6
Maximum suction depth	[m]	8
Construction	Impeller	Closed centrifugal type
	Shaft seal type	Mechanical seal
	Bearing	Sealed ball bearing
Pipe Connection	Suction [inch]	G 1 UNI ISO 228
	Discharge [inch]	G 1 UNI ISO 228
Material	Casing	AISI 304
	Impeller	PPE+PS glass fibre reinforced
	Shaft seal	Ceramic/Carbon/NBR
	Casing cover	AISI 304
	Shaft	AISI 303 (Wet extension)
	Bracket	Aluminium
	Ejector	PPE+PS glass fibre reinforced
	Diffuser	PPE+PS glass fibre reinforced
Applicable standard of test		ISO 9906:2012 - Grade 3B

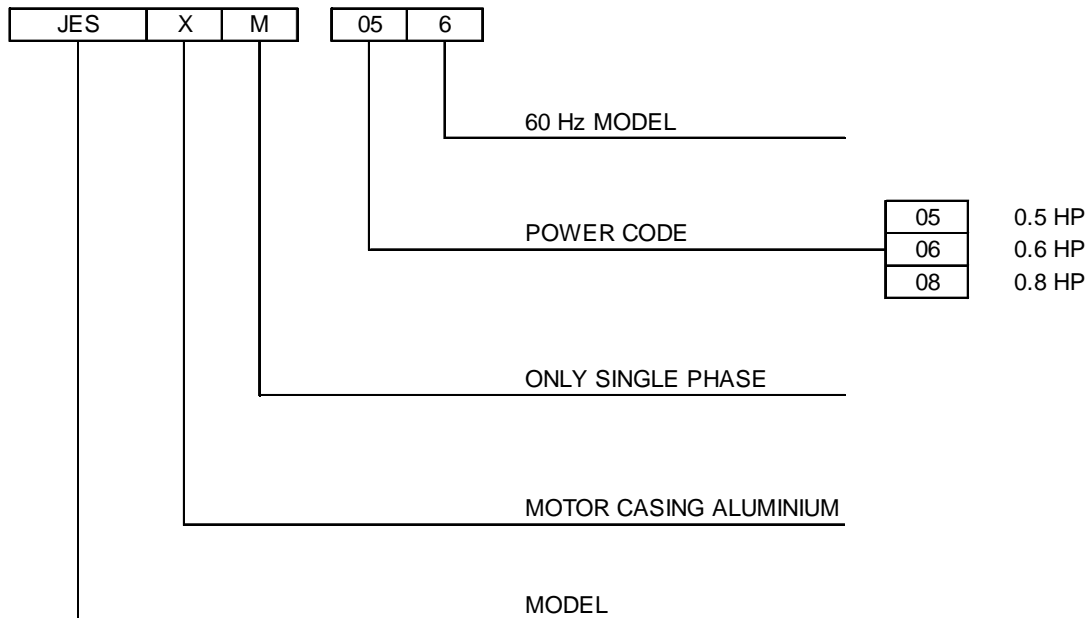
MOTOR		
Type	Electric - TEFC	
	Single Phase	Three Phase
No. of Poles	2	
Rotation speed [min ⁻¹]	≈ 3450	
Insulation Class	Class F	
Protection degree (CEI EN 60034-5)	IP 54	
	IP 55 (on request)	
Power rating	[kW]	0.37 ÷ 0.6
	[HP]	0.5 ÷ 0.8
Frequency	[Hz]	60
Voltage	[V]	110-115V ±6% 220-230V ±6%
		220/380 -6% +10%
Capacitor	Built in	-
Over load protection	Built in	Provided by the user
Casing material	Aluminium	
Base material / Motor support	Aluminium	
Dimensions of cable entry	PG11 - (see DIMENSIONS TABLE page 400)	



SELECTION CHART

Pump type		Power		Q=Capacity						
				l/min.	5	10	20	30	40	45
Single-phase	Three-phase	[kW]	[HP]	m³/h	0,3	0,6	1,2	1,8	2,4	2,7
H=Total manometric head in meters										
JESXM 056	JESX 056	0,37	0,5	31	27,5	24,4	19,3	14,9	12	11
JESXM 066	JESX 066	0,44	0,6	35	31	27,8	22,2	17,6	14,2	13
JESXM 086	JESX 086	0,6	0,8	41,5	37	33,3	27	21,8	17,9	16,5

TYPE KEY



CURVES SPECIFICATIONS

The specifications below qualify the curves shown on the following pages.

Tolerances according to ISO 9906:2012 - Grade 3B

The curves refer to effective speed of asynchronous motors at 60 Hz, 2 poles.

Measurements were carried out with clean water at 20°C of temperature and with a kinematic viscosity of $\nu = 1 \text{ mm}^2/\text{s}$ (1 cSt)

The continuous curves indicate the recommended working range. The dotted curve is only a guide.

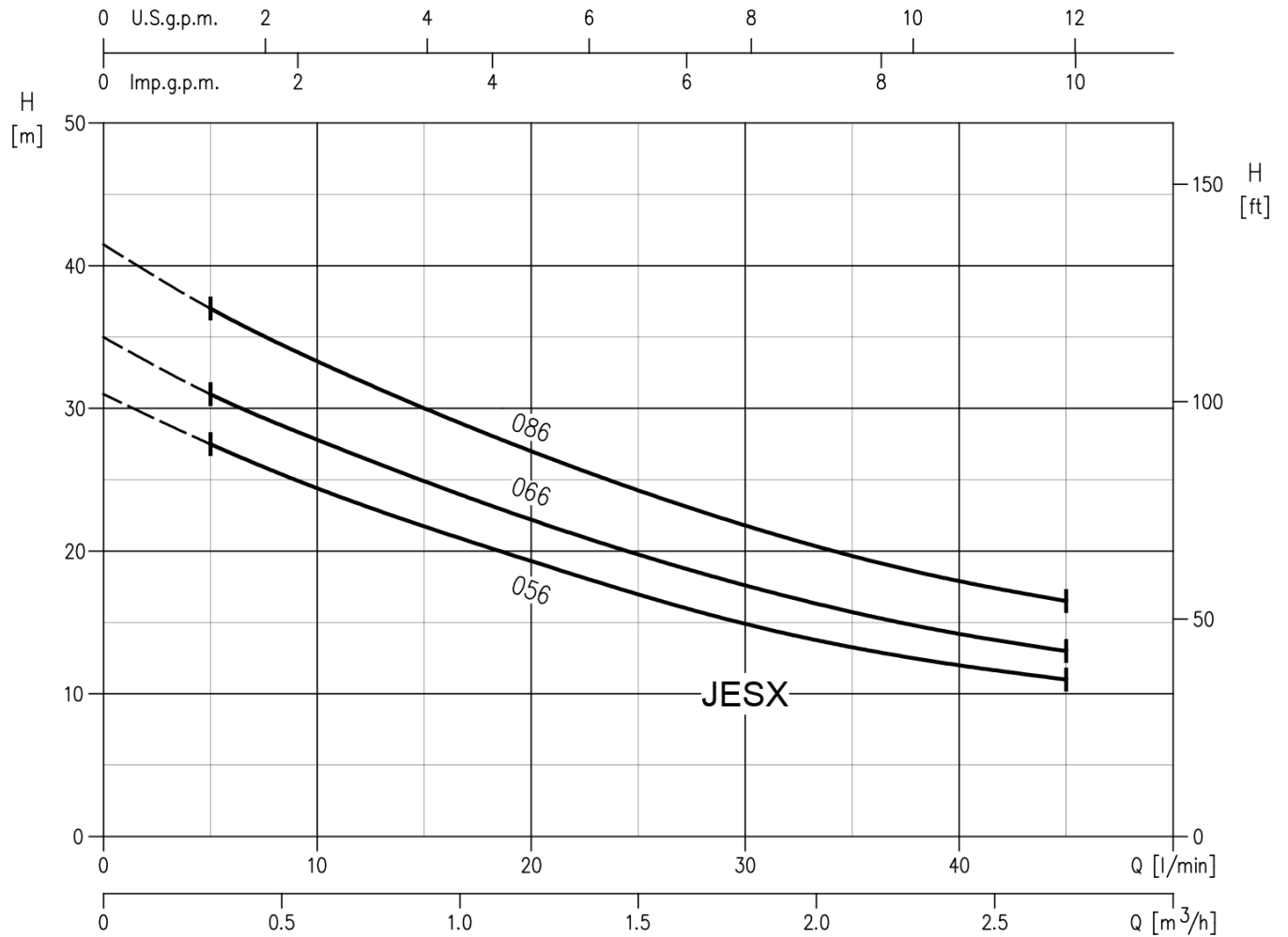
In order to avoid the risk of over-heating, the pumps should not be used at a flow rate below 10% of best efficiency point.

Symbols explanation:

Q = volume flow rate

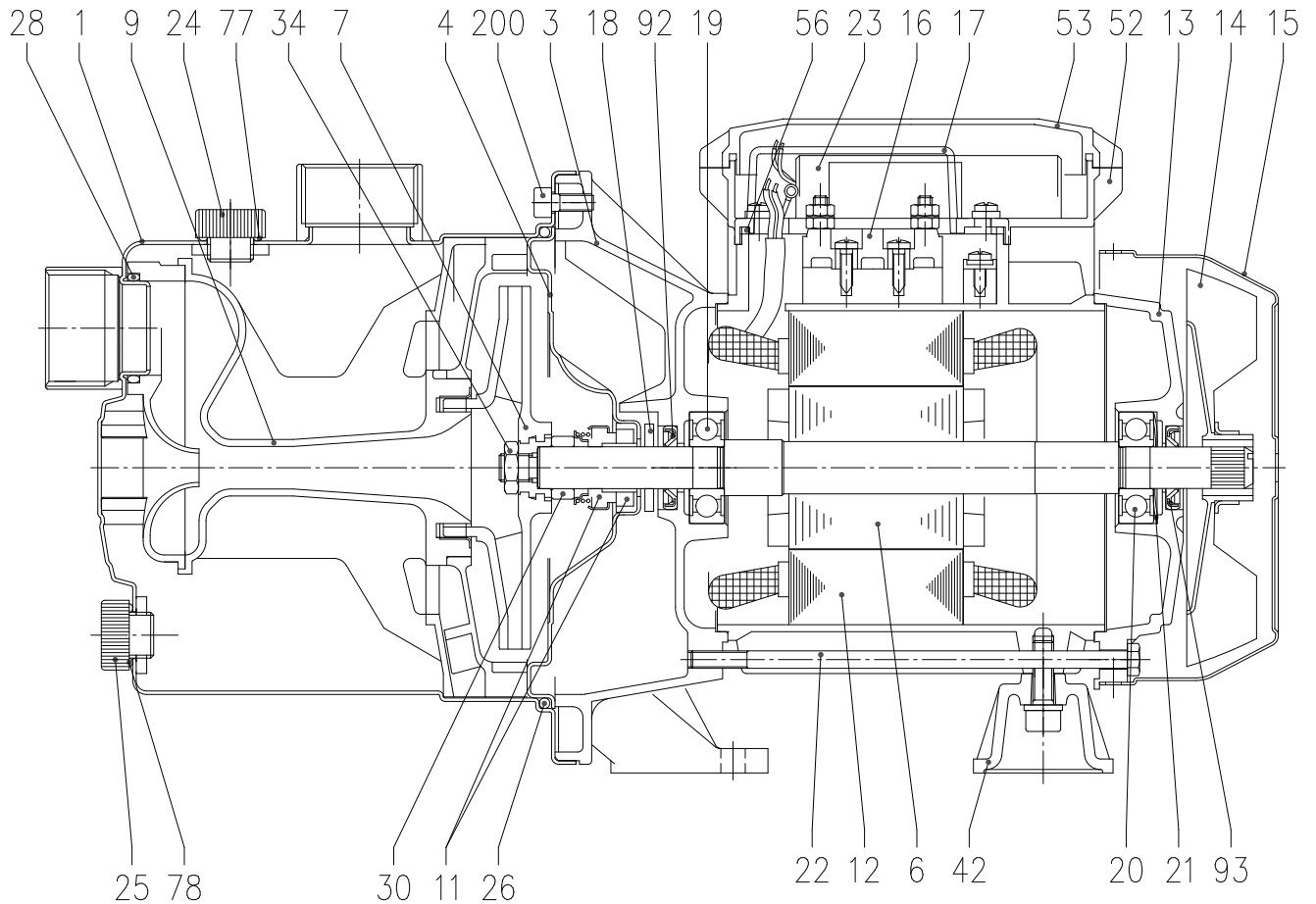
H = total head

JESX 056- Impeller diameter = 87 mm
JESX 066- Impeller diameter = 87 mm
JESX 086- Impeller diameter = 92.5 mm



Rotation speed $\approx 3450 \text{ min}^{-1}$
 Test standard: ISO 9906:2012 - Grade 3B

SECTIONAL VIEW

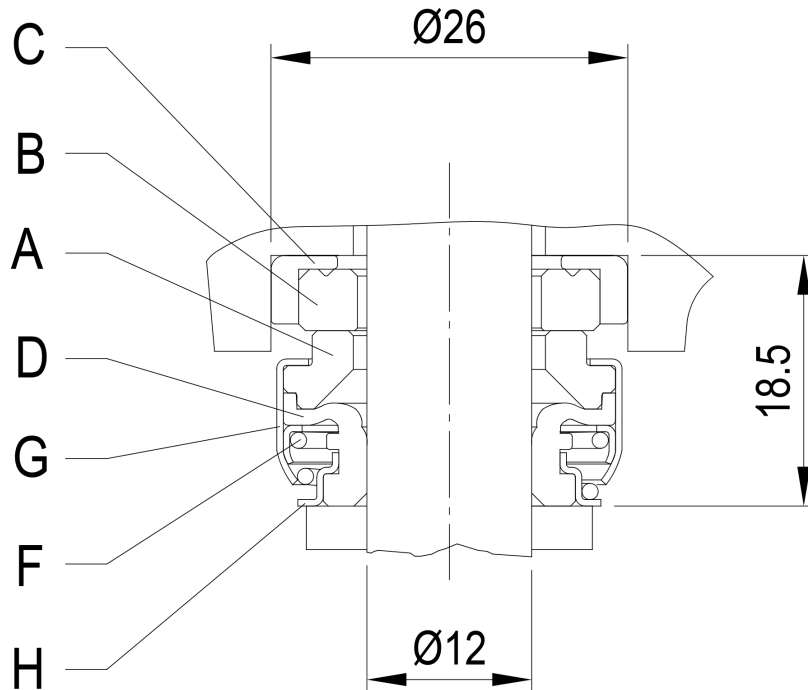


N°	PART NAME	MATERIAL	Q.TY
1	Casing	AISI 304	1
3	Motor bracket	Aluminium	1
4	Casing cover	AISI 304	1
6	Shaft with rotor	AISI 303 (Wet extension)	1
7	Impeller	PPE+PS glass fibre reinforced	1
9	Diffuser Venturi tube	PPE+PS glass fibre reinforced	1
11	Mechanical seal [4]	Carbon/Ceramic/NBR	1
12	Motor frame with stator	-	1
13	Motor cover	Aluminium	1
14	Fan	PA	1
15	Fan cover	Fe P04 Zincate	1
16	Terminal board	-	1
17	Terminal box cover [2]	Aluminium	1
18	Splash ring	NBR	1
19	Pump side ball bearing	-	1
20	Fan side ball bearing	-	1
21	Adjusting ring	Steel C70	1

N°	PART NAME	MATERIAL	Q.TY
22	Tie rod	Fe 42 Zincate	4
23	Capacitor [1]	-	1
24	Priming plug	PA	1
25	Drain plug	PA	1
26	O-ring	NBR	1
28	O-ring	NBR	1
30	Mechanical seal spacer	Brass	1
34	Impeller nut [2]	AISI 304	1
42	Motor support	Aluminium	1
52	Capacitor box [1]	ABS	1
53	Capacitor box cover with gasket [1]	ABS+NBR	1
56	Box gasket	NBR	1
77	O-ring	NBR	1
78	O-ring	NBR	1
92	Lip seal [3]	-	1
93	Lip seal [3]	-	1
200	Screw	Stainless steel A2 UNI7323	6

- [1] Only for single phase
- [2] Only for three phase
- [3] Only for IP55
- [4] See **MECHANICAL SEAL** page 301

MECHANICAL SEAL

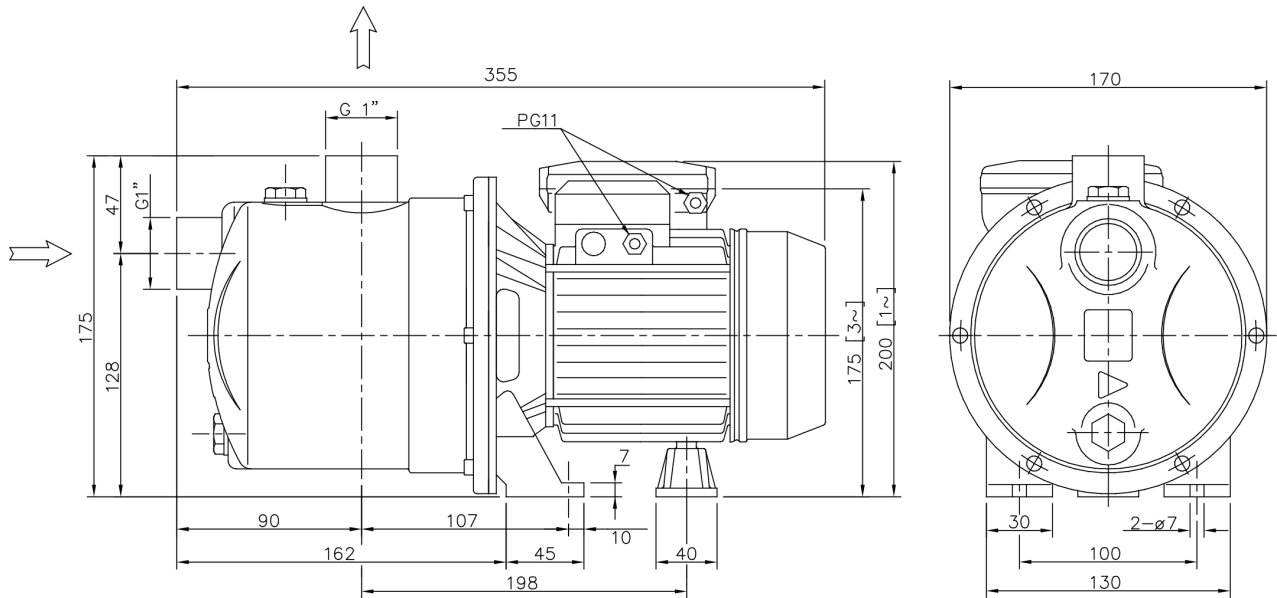


REF	PART NAME	MATERIAL Standard version
A	Rotary seal ring	carbon graphite
B	Stationary seal ring	ceramic
C	Gasket	NBR
D	Bellows	NBR
F	Self driving spring	AISI 304
G	Frame	AISI 304
H	Retainer ring	AISI 304

BEARINGS

Pump type		Ball Bearing	
Single Phase	Three Phase	Pump side	Fan side
JESXM 056	JESX 056	6201 2RSH	6201 2RSH
JESXM 066	JESX 066	6201 2RSH	6201 2RSH
JESXM 086	JESX 086	6201 2RSH	6201 2RSH

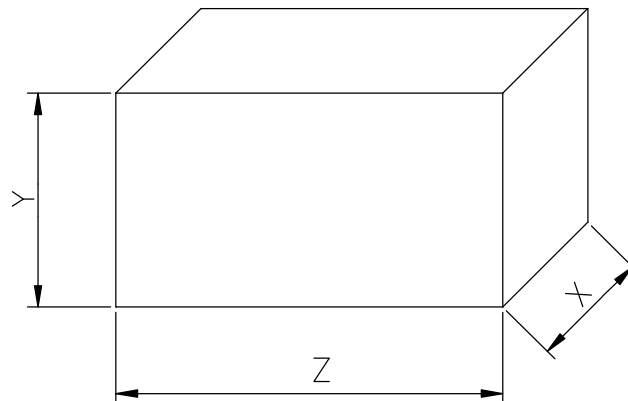
PUMP



Pump type JESX(M)	Weight [kgf]	
	[1~]	[3~]
056	5,2	5
066	5,5	5,1
086	6	6

[1~] Single Phase
[3~] Three Phase

PACKING



Pump type		Packing [mm]			Weight [kgf]	
Single Phase	Three Phase	X	Y	Z	[1~]	[3~]
JESXM 056	JESX 056	182	230	372	5.8	5.6
JESXM 066	JESX 066	182	230	372	6.2	5.8
JESXM 086	JESX 086	182	230	372	7	7

[1~] Single phase
 [3~] Three phase

MOTOR DATA

Pump type		Power		Capacitor				Input [kW]		Full load current [A]				Locked rotor current [A]			
Single Phase	Three Phase	[kW]	[HP]	110-115 V		220-230 V		Single Phase	Three Phase	Single Phase		Three Phase		Single Phase		Three Phase	
				[μF]	[V]	[μF]	[V]			110-115 V	220-230 V	220 V	380 V	110-115 V	220-230 V	220 V	380 V
JESXM 056	JESX 056	0,37	0,5	31,5	250	8	450	0,4	0,37	3,6	2,0	1,3	0,7	15,4	7,5	5,5	3,2
JESXM 066	JESX 066	0,44	0,6	30	250	8	450	0,46	0,4	4,1	2,2	1,4	0,8	17,3	7,7	7,6	4,4
JESXM 086	JESX 086	0,6	0,8	50	250	10	450	0,54	0,47	4,9	2,5	1,6	0,9	20,7	10,8	9,4	5,4

If you use this pump on suction condition , it tends to breath the air from outside because the pressure in pump becomes vaccum condition when it stopped. So water in the pump sometimes fall down to breath the air from pipe connection. If it is used to operate continuously under this condition, this is the cause of breakdown to overheat inside the pump.



So please install foot valve or check valve at suction pipe in order to prevent the pump from such a condition. And moreover will you please support the suction pipe and the delivery one to prevent the pump from leaning the weight of pipe.

