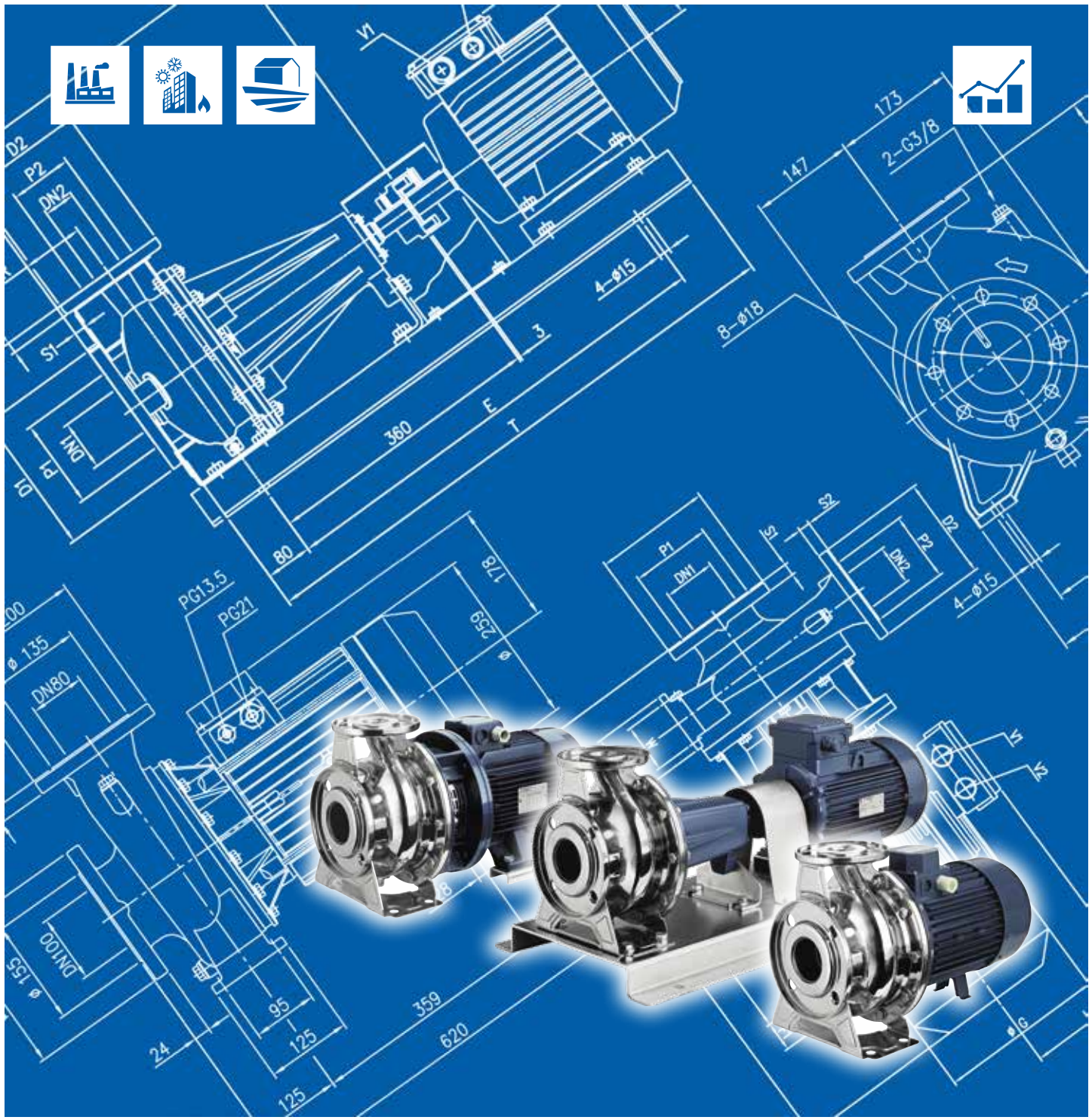




Japanese Technology since 1912

3 SERIES

Data Book 60Hz



	Page
- SPECIFICATIONS	200-202
PERFORMANCE RANGE	203
SELECTION CHART	204
TYPE KEY and CURVES SPECIFICATIONS	205
PERFORMANCE CURVES 32-125	206
PERFORMANCE CURVES 32-160	207
PERFORMANCE CURVES 32-200	208
PERFORMANCE CURVES 40-125	209
PERFORMANCE CURVES 40-160	210
PERFORMANCE CURVES 40-200	211
PERFORMANCE CURVES 50-125	212
PERFORMANCE CURVES 50-160	213
PERFORMANCE CURVES 65-125	214
PERFORMANCE CURVES 65-160	215
PERFORMANCE CURVES 65-200	216
PERFORMANCE CURVES 65-250	217
PERFORMANCE CURVES 80-160	218
PERFORMANCE CURVES 80-200	219
PERFORMANCE CURVES 80-250	220
- CONSTRUCTIONS	300
SECTIONAL VIEW DRAWING 3(.)M 32, 40, 50, 65	300
SECTIONAL VIEW TABLE 3(.)M 32, 40, 50	301
SECTIONAL VIEW TABLE 3(.)M 65	302
SECTIONAL VIEW DRAWING 3LM 80-160	303
SECTIONAL VIEW TABLE 3LM 80-160	304
SECTIONAL VIEW DRAWING 3(.)S 32, 40, 50	305
SECTIONAL VIEW DRAWING 3(.)S 65-125/160/200	306
SECTIONAL VIEW TABLE 3(.)S 32, 40, 50, 65-125/160/200	307
SECTIONAL VIEW DRAWING 3LS 80-160	308
SECTIONAL VIEW TABLE 3LS 80-160	308
SECTIONAL VIEW DRAWING 3LS 65-250, 80-200/250	309
SECTIONAL VIEW TABLE 3LS 65-250, 80-200/250	310
SECTIONAL VIEW DRAWING 3(.)P 32, 40, 50, 65-125/160/200	311
SECTIONAL VIEW TABLE 3(.)P 32, 40, 50, 65-125/160/200	312
SECTIONAL VIEW DRAWING 3LP 80-160	313
SECTIONAL VIEW DRAWING 3LP 65-250, 80-200/250	313
SECTIONAL VIEW DRAWING 3LP 65-250, 80-160/200/250	314
SECTIONAL VIEW TABLE 3LP 80-160	315
SECTIONAL VIEW TABLE 3LP 65-250, 80-200/250	316
BEARINGS 3(.)M	317
BEARINGS 3(.)S-3(.)P	318
MECHANICAL SEAL (Standard, Optional and Special version)	319
MECHANICAL SEAL (HSW version Ø30)	320
MECHANICAL SEAL (HS e HW version Ø22)	321
MECHANICAL SEAL (Standard, Optional and Special version)	322
MECHANICAL SEAL (Optional and Special version)	323
COUPLING 3(.)S	324
FLEXIBLE COUPLING 3(.)P	325
FITTINGS AND GASKET	326-327

- DIMENSIONS and WEIGHT	400
PUMP 3(.)M 32, 40-125/160/200, 50-125/160, 65-125/160	400
PUMP 3(.)M 40-200, 50-160, 65-160/200	401
PUMP 3LM 80-160	402
PUMP 3(.)S 32-125/2.26	403
PUMP 3(.)S 32, 65-125/160/200	404
PUMP 3(.)S 40, 50, 65-160	405
PUMP 3LS 80-160/18.56	406
PUMP 3LS 65-250, 80-160/200	407
PUMP 3LS 80-200/250	408
PUMP 3LS 80-250/556	409
PUMP 3(.)P 32, 40, 50, 65-125/160/200	410
PUMP 3LP 65-250, 80-160/200	411
PUMP 3LP 80-200/250	412
PUMP 3LP 80-250/556	413
PACKING 3(.)M	414
PACKING 3(.)S	415
PACKING 3(.)P	416
- TECHNICAL DATA	500
MOTOR DATA 3(.)M	500
MOTOR DATA 3(.)S-3(.)P	501
NOISE DATA 3(.)M	502
NOISE DATA 3(.)S-3(.)P	503

SPECIFICATIONS

60Hz

Rev. P

Version		3M	3S	3P	3LM	3LS	3LP
Pump sizes	32-125	■	■	■	●	●	●
	32-160	■	■	■	●	●	●
	32-200	■	■	■	●	●	●
	40-125	■	■	■	●	●	●
	40-160	■	■	■	●	●	●
	40-200	■	■	■	●	●	●
	50-125	■	■	■	●	●	●
	50-160	■	■	■	●	●	●
	65-125	■	■	■	●	●	●
	65-160	■	■	■	●	●	●
	65-200	■	■	■	●	●	●
	65-250	-	-	-	-	●	●
	80-160	-	-	-	●	●	●
	80-200	-	-	-	-	●	●
	80-250	-	-	-	-	▲	▲

■ Available also with H, HS, HW, HSW, E, U3U3EGG, U3CEGG, Q1Q1EGG, Q1U3EGG, Q1AEGG version.

● Available also with H, HW, HSW, E, U3U3EGG, U3CEGG, Q1Q1EGG, Q1U3EGG, Q1AEGG version.

▲ Available also with H, HW, HSW, ES version.

- Not available.

SPECIFICATIONS

60Hz

Rev. P

PUMP								
Version		3M	3S	3P	3LM	3LS	3LP	
Liquid Handled	Type of liquid	Clean water and moderately aggressive fluids						
	Temperature [°C]	min. -10 min. -20 (E version) max. +90 max. +110 (H-HS-HW-HSW version) max. +120 (E, U3U3EGG, U3CEGG, Q1Q1EGG, Q1U3EGG, Q1AEGG version)			min. -10 min. -20 (E version) max. +110 max. +110 (H-HW-HSW version) max. +120 (E, ES, U3U3EGG, U3CEGG, Q1Q1EGG, Q1U3EGG, Q1AEGG version)			
Maximum working pressure [MPa]		1						
Construction	Impeller	Closed centrifugal type for 32, 40, 50 version Reinforced laser welding for 40-200/9,26 Closed centrifugal three dimensional blades for 65 version and above						
	Shaft seal type	Mechanical seal			Mechanical seal with stationary ring secured against rotation			
	Bearing	Sealed ball bearing						
Pipe Connection	Suction	32-125/160/200	Flange DN50 according EN1092-1 Standard					
		40-125/160/200	Flange DN65 according EN1092-1Standard					
		50-125/160	Flange DN80 according EN1092-1 Standard					
		65-125/160/200/250	Flange DN100 according EN1092-1 Standard					
	Discharge	32-125/160/200	Flange DN32 according EN1092-1 Standard					
		40-125/160/200	Flange DN40 according EN1092-1 Standard					
		50-125/160	Flange DN50 according EN1092-1 Standard					
		65-125/160/200/250	Flange DN65 according EN1092-1 Standard					
		80-160/200/250	Flange DN80 according EN1092-1 Standard					
Material	Casing	32-125/160/200	EN 1.4301 (AISI 304)			EN 1.4404 (AISI 316L)		
		40-125/160/200						
		50-125/160						
		65-125/160/200						
		65-250	/			CF8M – EN 1.4408 (AISI316)		
	Impeller	32-125/160/200	EN 1.4301 (AISI 304)			EN 1.4404 (AISI 316L)		
		40-125/160/200						
		50-125/160						
			65-125/160/200	CF8M – EN 1.4408 (AISI316)				
			65-250	/			CF8M – EN 1.4408 (AISI316)	
			80-160/200/250				CF8M – EN 1.4408 (AISI316)	
	Casing cover	32-125/160/200	EN 1.4301 (AISI 304)			EN 1.4404 (AISI 316L)		
		40-125/160/200						
		50-125/160						
		65-125/160/200						
		80-160	/			CF8M – EN 1.4408 (AISI316)		
		65-250				CF8M – EN 1.4408 (AISI316)		
Mechanical seal	32-125/160/200	Ceramic/Carbon/NBR			SiC/SiC/FPM (L version)			
	40-125/160/200							
	50-125/160							
	65-125/160/200							
		65-250	/					
		80-160/200/250						
O-ring		NBR			FPM			
Shaft	32, 40, 50, 65-125 65-160/116	d=19	EN 1.4301 (AISI 304)			EN 1.4404 (AISI 316L)		
			65-160/156 65-200 65-250 80-160	d=24	/			EN 1.4462 (Duplex stainless steel)
								EN 1.4404 (AISI 316L)
					EN 1.4462 (Duplex stainless steel)			
			80-200 (22 kW)	d=29				
			80-200 (30-37 kW)					
		80-250						
Bracket		Cast iron - Alluminium						
Applicable standard of test		ISO 9006:2012 - Grade 3B						

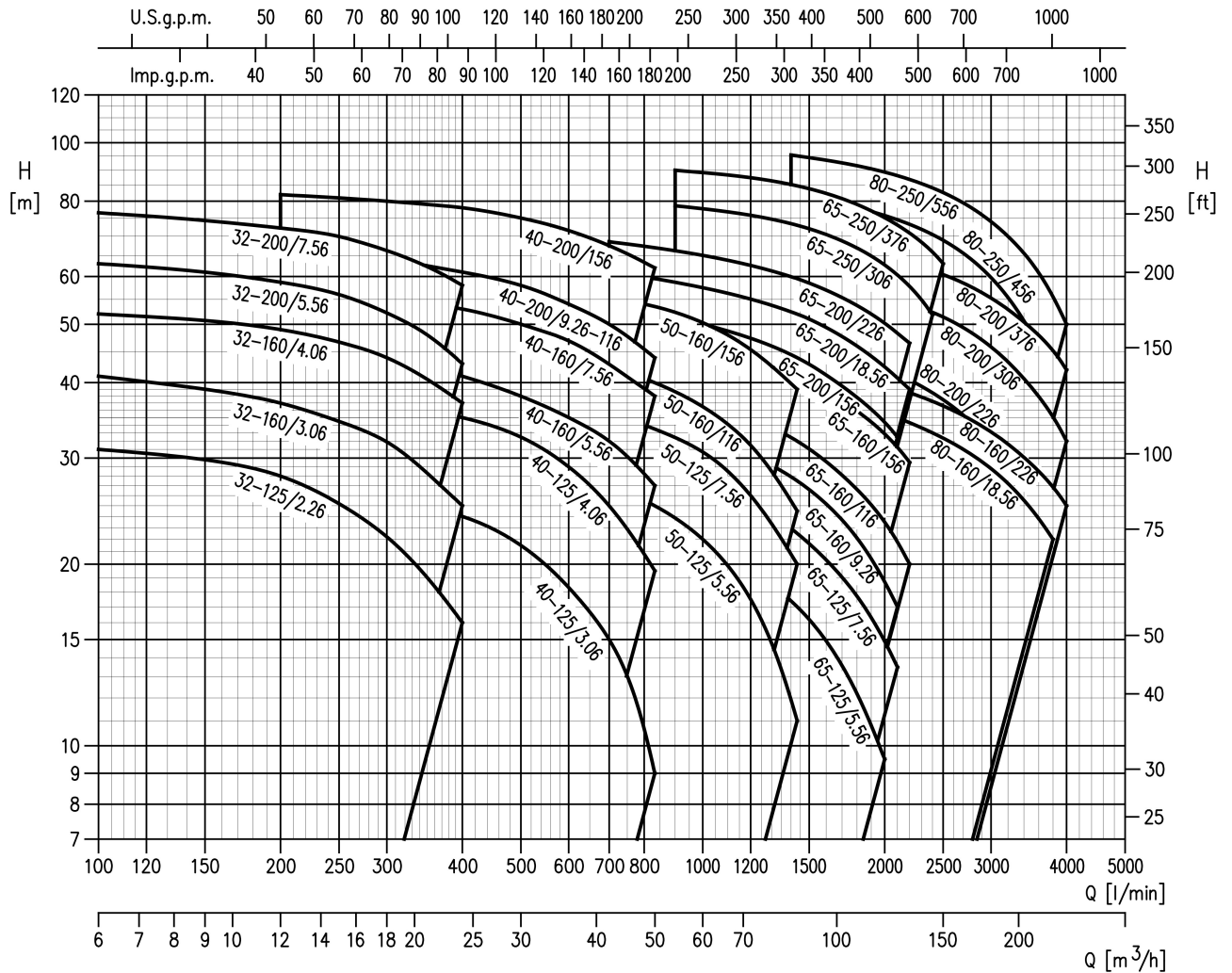
SPECIFICATIONS

60Hz

Rev. P

MOTOR			
	3(.)M	3(.S)	3(.)P
Type	Electric - TEFC Three Phase		
Efficiency level	IE3 only 460V	IE2	
No. of Poles	2		
Rotation speed [min ⁻¹]	≈ 3500		
Insulation Class	F	F (class B for temperature rise)	
Protection degree (CEI EN 60034-5)	IP 55		
Power rating	[kW]	2.2 ÷ 22	18.5 ÷ 55
	[HP]	3.0 ÷ 30	25 ÷ 75
Frequency [Hz]	60		
Voltage [V]	220/380-460 ±10% (IE3* up to 4.0 kW) 380-460/660 ±10% (IE3* 5.5 kW and above)		265/460 ±10% (up to 4.0 kW) 460 ±10% (5.5 kW and above)
Over load protection	Provided by the user		
Casing material	Aluminium		
Motor support	Cast iron – Alluminium		
Dimensions of cable entry	PG13.5 - PG16 - PG21 - M20x1.5 - M25x1.5		M40x1.5 - M50x1.5 - M63x1.5
Flange mount (IEC motor)	/		IM B35

PERFORMANCE RANGE



SELECTION CHART

3 SERIE 32-40-50 Version

Pump Type	[kW]	[HP]	l/min	0	100	150	200	250	300	350	400	500	600	700	833	1000	1200	1433
			m ³ /h	0	6	9	12	15	18	21	24	30	36	42	50	60	72	86
32-125/2.26	2.2	3	32.3	31.4	30.4	28.6	26.1	23.3	20.2	17	-	-	-	-	-	-	-	-
32-160/3.06	3	4	42.5	41	39.6	37.8	35.4	32.5	29.4	26	-	-	-	-	-	-	-	-
32-160/4.06	4	5.5	53	51.5	50.5	48.5	46.5	43.5	40	36.6	-	-	-	-	-	-	-	-
32-200/5.56	5.5	7.5	64.5	62.5	61	59	56	53	48.5	44	-	-	-	-	-	-	-	-
32-200/7.56	7.5	10	78	76	74.5	72.5	69.5	66	62	57	-	-	-	-	-	-	-	-
40-125/3.06	3	4	29	-	-	28.2	27.7	27	26.1	24.9	22.3	19.1	15.4	10	-	-	-	-
40-125/4.06	4	5.5	38	-	-	37.2	36.8	36	35.1	34	31.6	28.6	25.2	20	-	-	-	-
40-160/5.56	5.5	7.5	45	-	-	44	43.5	42.5	41.5	40	37.2	34	30.7	26.2	-	-	-	-
40-160/7.56	7.5	10	57	-	-	56	55.5	54.5	53.5	52	49	46	42.5	38	-	-	-	-
40-200/9,26 [1]	9,2	12,5	67.5	-	-	66.5	66	65	63.5	62	58.5	56	52	48	-	-	-	-
40-200/116 [2]	11	15	67.5	-	-	66.5	66	65	63.5	62	58.5	56	52	48	-	-	-	-
40-200/156	15	20	83	-	-	82	81.5	80.5	79.5	78	75	71.5	67.5	62	-	-	-	-
50-125/5.56	5.5	7.5	32.9	-	-	-	-	-	-	-	31.1	30.2	29	27.1	24.2	19.9	14.1	-
50-125/7.56	7.5	10	38	-	-	-	-	-	-	-	36.5	35.7	34.6	32.7	29.7	25.3	19.5	-
50-160/9,26	9,2	12,5	48	-	-	-	-	-	-	-	46	45	43.5	41	37.4	32.4	25.8	-
50-160/156	15	20	57.5	-	-	-	-	-	-	-	56	55.5	54	52	49	45	39	-

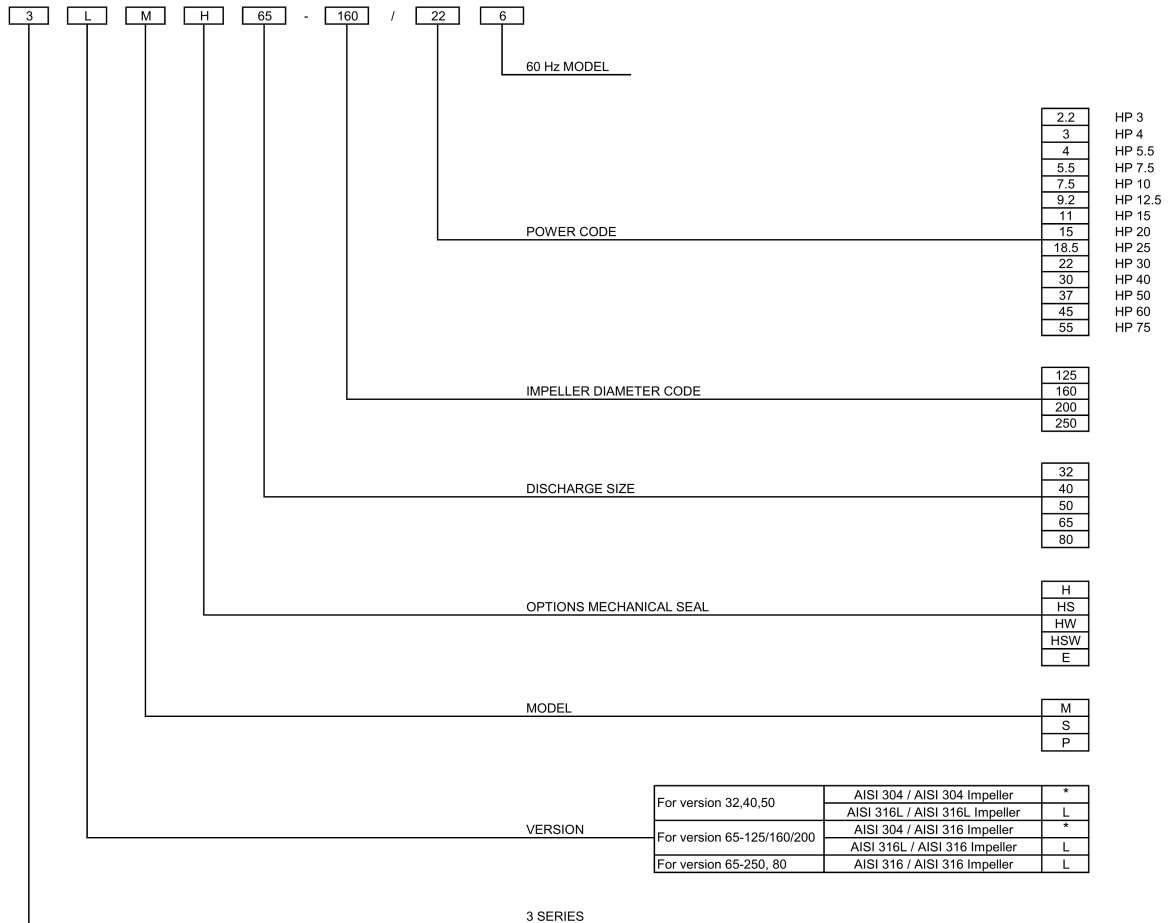
[1] Only for M model (see type key)

[2] Only for S and P models (see type key)

3 SERIE 65-80 Version

Pump Type	[kW]	[HP]	l/min	0	600	700	900	1200	1400	1600	1800	2000	2100	2200	2400	2500	3100	3600	3800	4000
			m ³ /h	0	36	42	54	72	84	96	108	120	126	132	144	150	186	216	228	240
65-125/5.56	5.5	7.5	27.5	25.7	24.9	22.9	19.6	17.2	14.8	12.2	9.5	-	-	-	-	-	-	-	-	-
65-125/7.56	7.5	10	33.5	31.5	30.7	28.8	25.5	23	20.4	17.7	14.9	13.5	-	-	-	-	-	-	-	-
65-160/9.26	9.2	12.5	38	-	35.5	33.6	30.3	27.9	25.2	22.1	18.7	17	-	-	-	-	-	-	-	-
65-160/116	11	15	43	-	40.5	38.5	35	32.4	29.6	26.6	23.5	21.8	20	-	-	-	-	-	-	-
65-160/156	15	20	51	-	48.5	47	43.5	41.5	38.7	35.9	32.9	31.3	29.5	-	-	-	-	-	-	-
65-200/156	15	20	56.5	-	53.5	51.5	47.5	44.5	41	37.8	34.4	32.5	-	-	-	-	-	-	-	-
65-200/18.56	18.5	25	63.5	-	61	59	55	52.5	49.5	46	42.5	40.5	39	-	-	-	-	-	-	-
65-200/226	22	30	71	-	68.5	66.5	62.5	60	57	53.5	50	48.5	46.5	-	-	-	-	-	-	-
65-250/306	30	40	80	-	-	78.5	76	73.5	70.5	67	62.5	60.5	58	52	-	-	-	-	-	-
65-250/376	37	50	91.5	-	-	90	87.5	85	82.5	79	75	73	71	66	63	-	-	-	-	-
80-160/18.56	18.5	25	40.5	-	-	-	-	38.8	37.9	36.8	35.6	35	34.3	33	32.4	28.1	23.8	22	-	-
80-160/226	22	30	44.5	-	-	-	-	42.5	42	41	39.7	39	38.5	37.3	36.6	32.4	28.5	26.9	25	-
80-200/226	22	30	50.5	-	-	-	-	47	45.5	44	42.5	41.5	40.5	38.5	37.5	30.5	24	-	-	-
80-200/306	30	40	63	-	-	-	-	60	59	57.5	56	55	54	52.5	51.5	44.5	37.9	35.1	32	-
80-200/376	37	50	71	-	-	-	-	68.5	67.5	66	64.5	64	63	61.5	60.5	54	48	45	42	-
80-250/456	45	60	85	-	-	-	-	82	80	78	75.5	74.5	73	70.5	69	57.5	45.5	40	-	-
80-250/556	55	75	97.5	-	-	-	-	95.5	93.5	91.5	89.5	88	87	84	82.5	72	61	55.5	50	-

TYPE KEY



CURVES SPECIFICATIONS

The specifications below qualify the curves shown on the following pages.

Tolerances according to ISO 9006:2012 - Grade 3B

The curves refer to effective speed of asynchronous motors at 60 Hz, 2 poles.

Measurements were carried out with clean water at 20°C of temperature and with a kinematic viscosity of $\nu = 1 \text{ mm}^2/\text{s}$ (1 cSt)

The NPSH curve is an average curve obtained in the same conditions of performance curves.

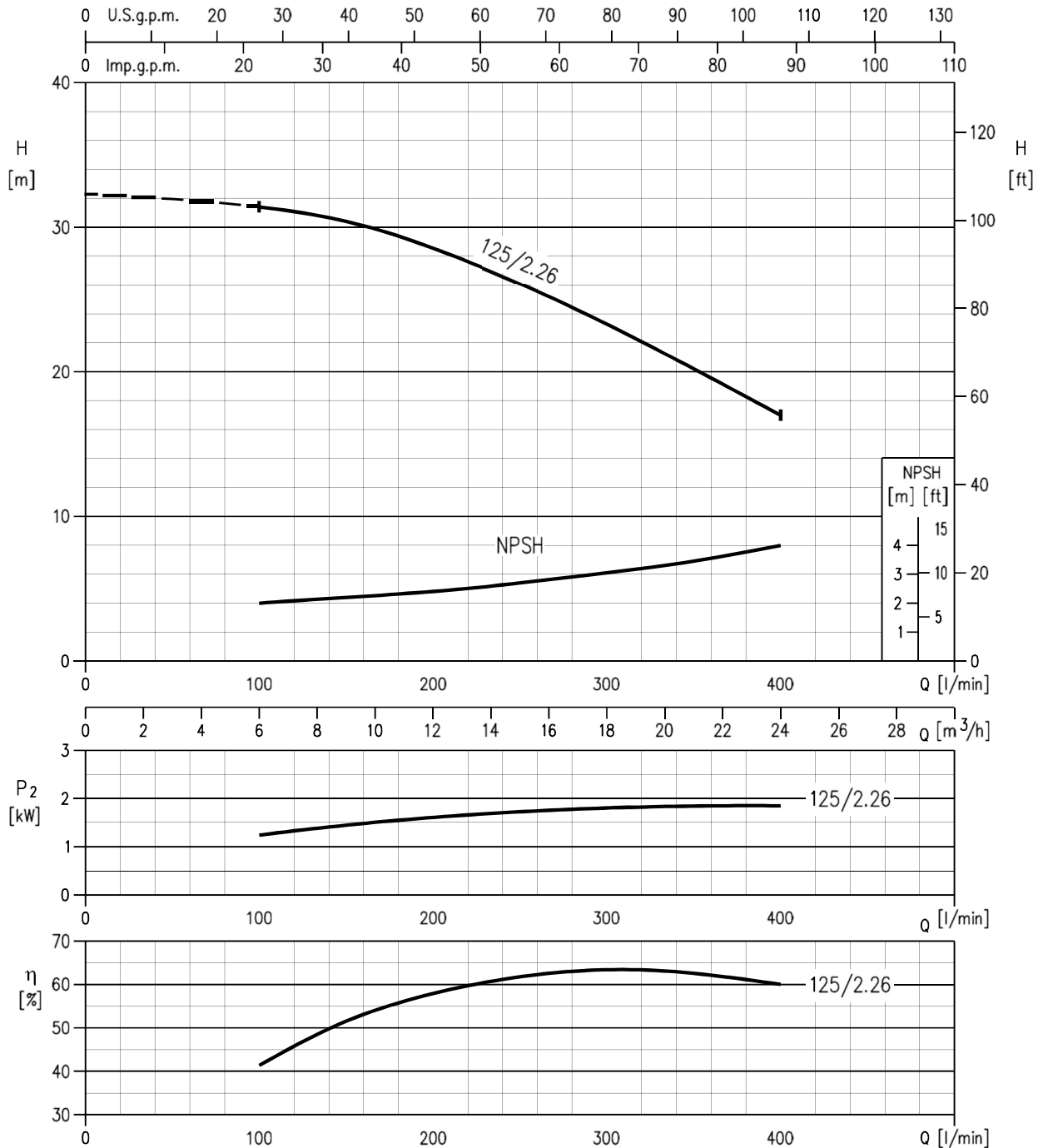
The continuous curves indicate the recommended working range. The dotted curve is only a guide.

In order to avoid the risk of over-heating, the pumps should not be used at a flow rate below 10% of best efficiency point.

Symbols explanation:

- Q = volume flow rate
- H = total head
- P₂ = pump power input (shaft power)
- η = pump efficiency
- NPSH = net positive suction head required by the pump

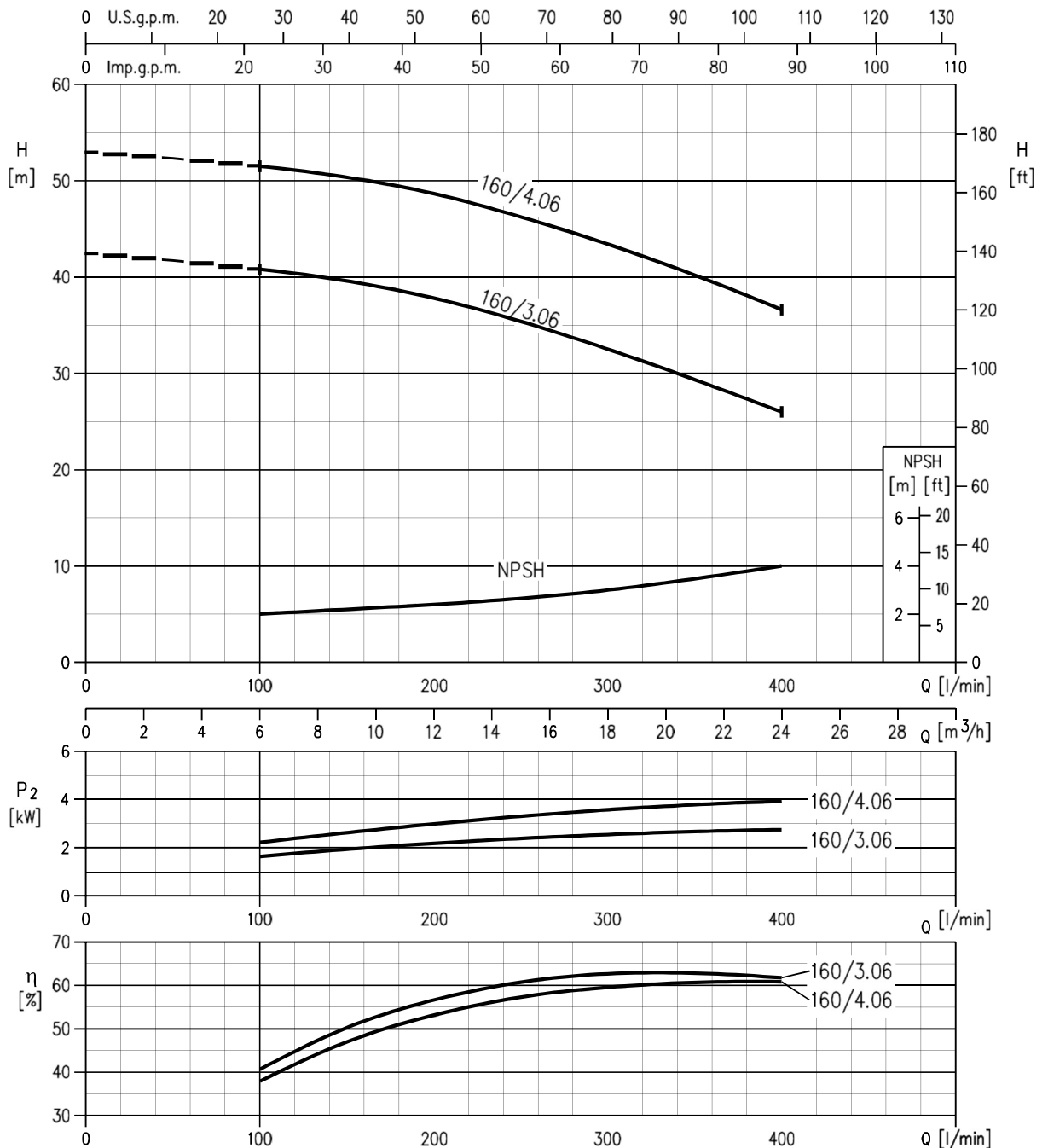
32-125/2.26 (2.2 kW) – Impeller diameter = 133 mm



Rotation speed $\approx 3480 \text{min}^{-1}$
 Test standard: ISO 9006:2012 - Grade 3B

32-160/3.06 (3 kW) – Impeller diameter = 151 mm

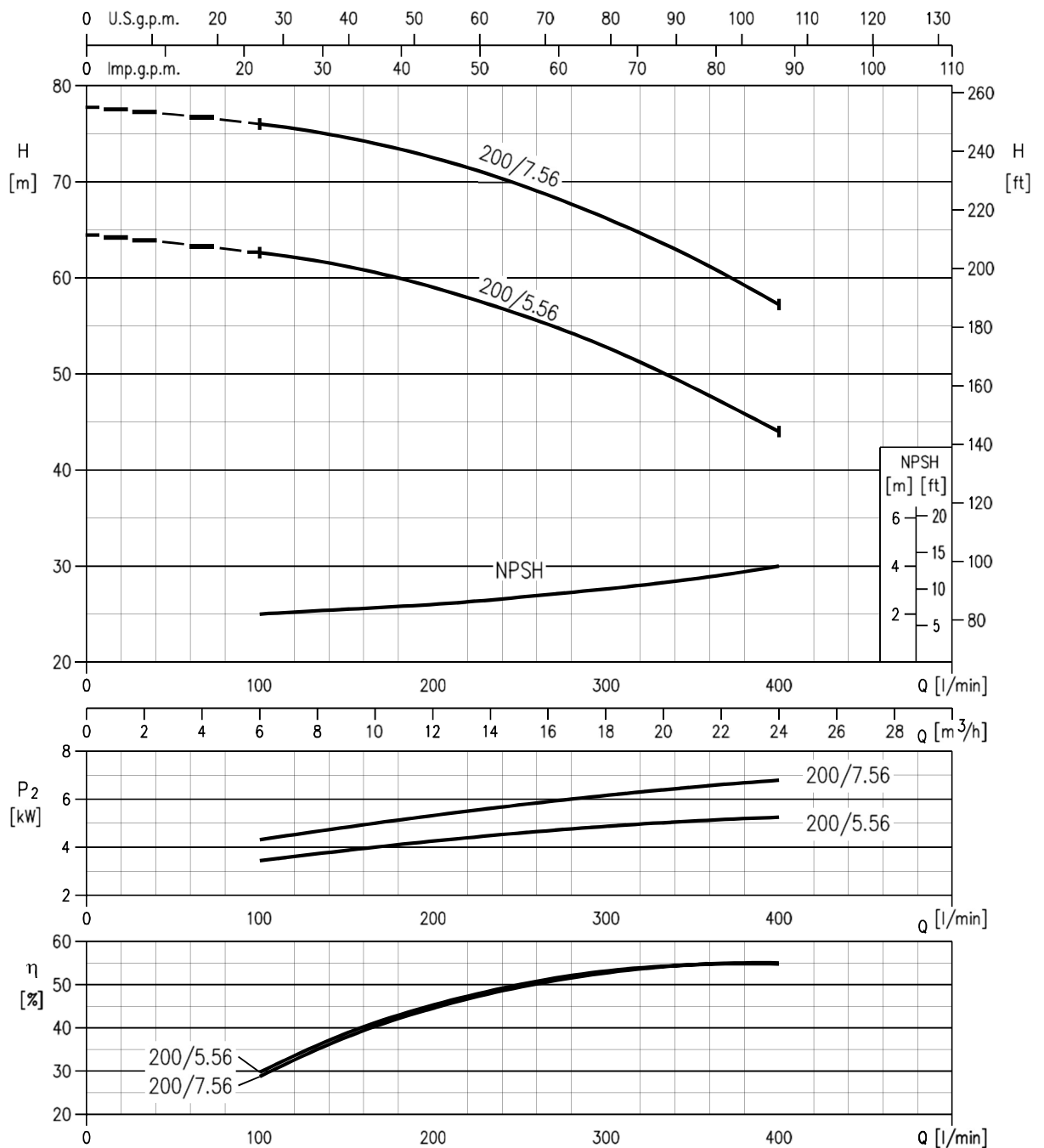
32-160/4.06 (4 kW) – Impeller diameter = 166 mm



Rotation speed $\approx 3480 \text{min}^{-1}$
 Test standard: ISO 9006:2012 - Grade 3B

32-200/5.56 (5.5 kW) – Impeller diameter = 186 mm

32-200/7.56 (7.5 kW) – Impeller diameter = 200 mm

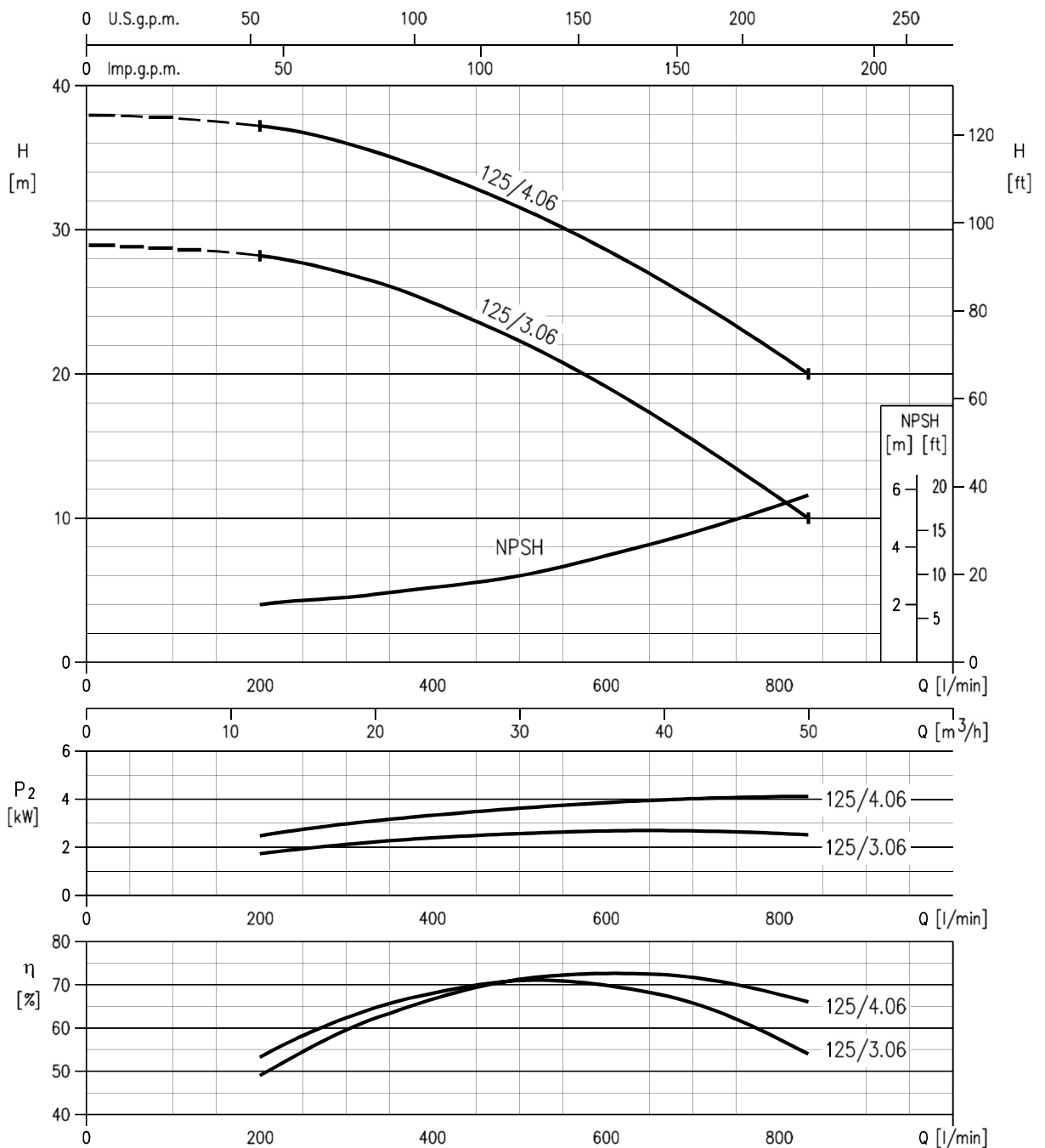


Rotation speed ≈3480min⁻¹

Test standard: ISO 9006:2012 - Grade 3B

40-125/3.06 (3 kW) – Impeller diameter = 125 mm

40-125/4.06 (4 kW) – Impeller diameter = 140 mm

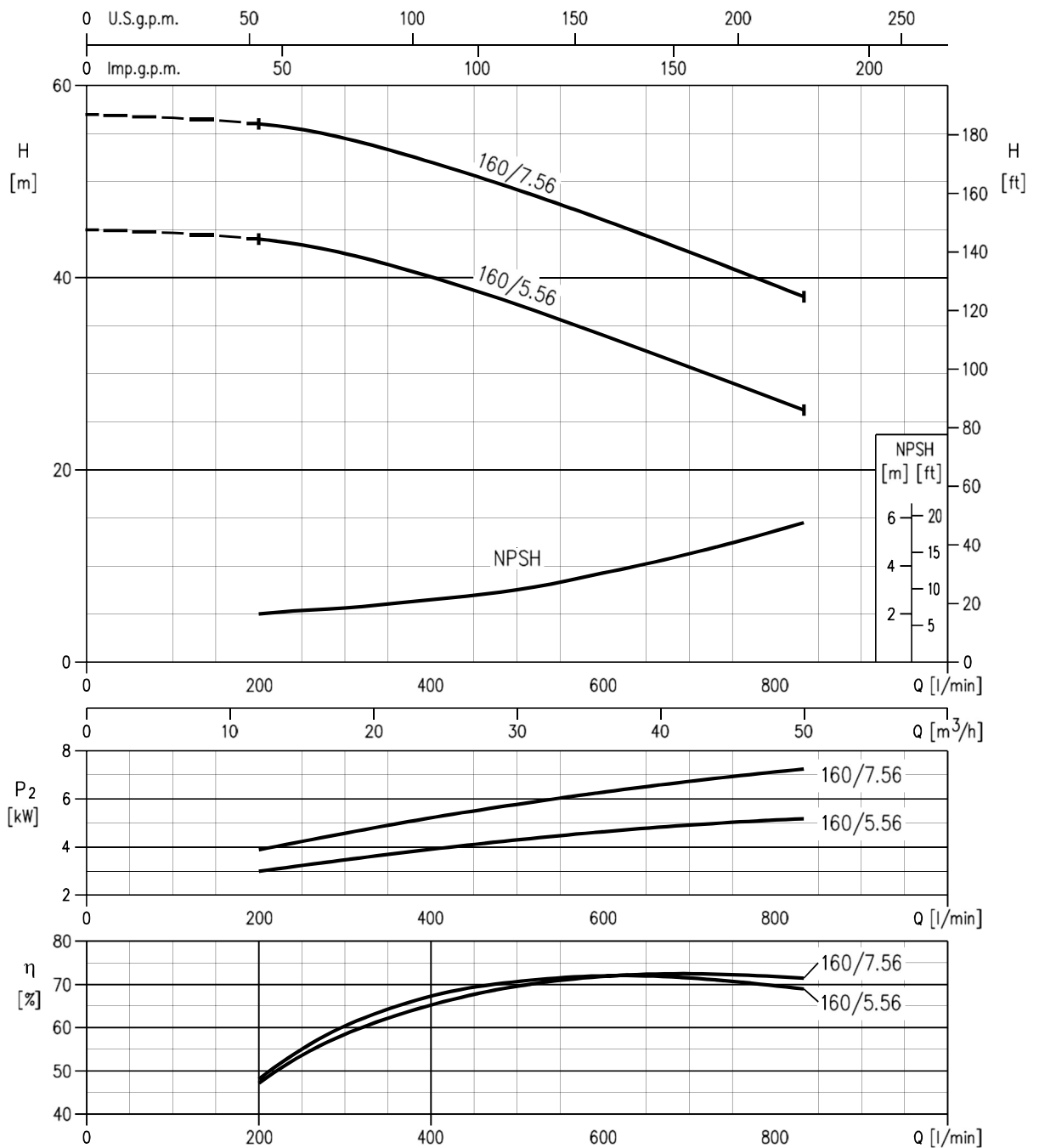


Rotation speed $\approx 3480 \text{ min}^{-1}$

Test standard: ISO 9006:2012 - Grade 3B

40-160/5.56 (5.5 kW) – Impeller diameter = 151 mm

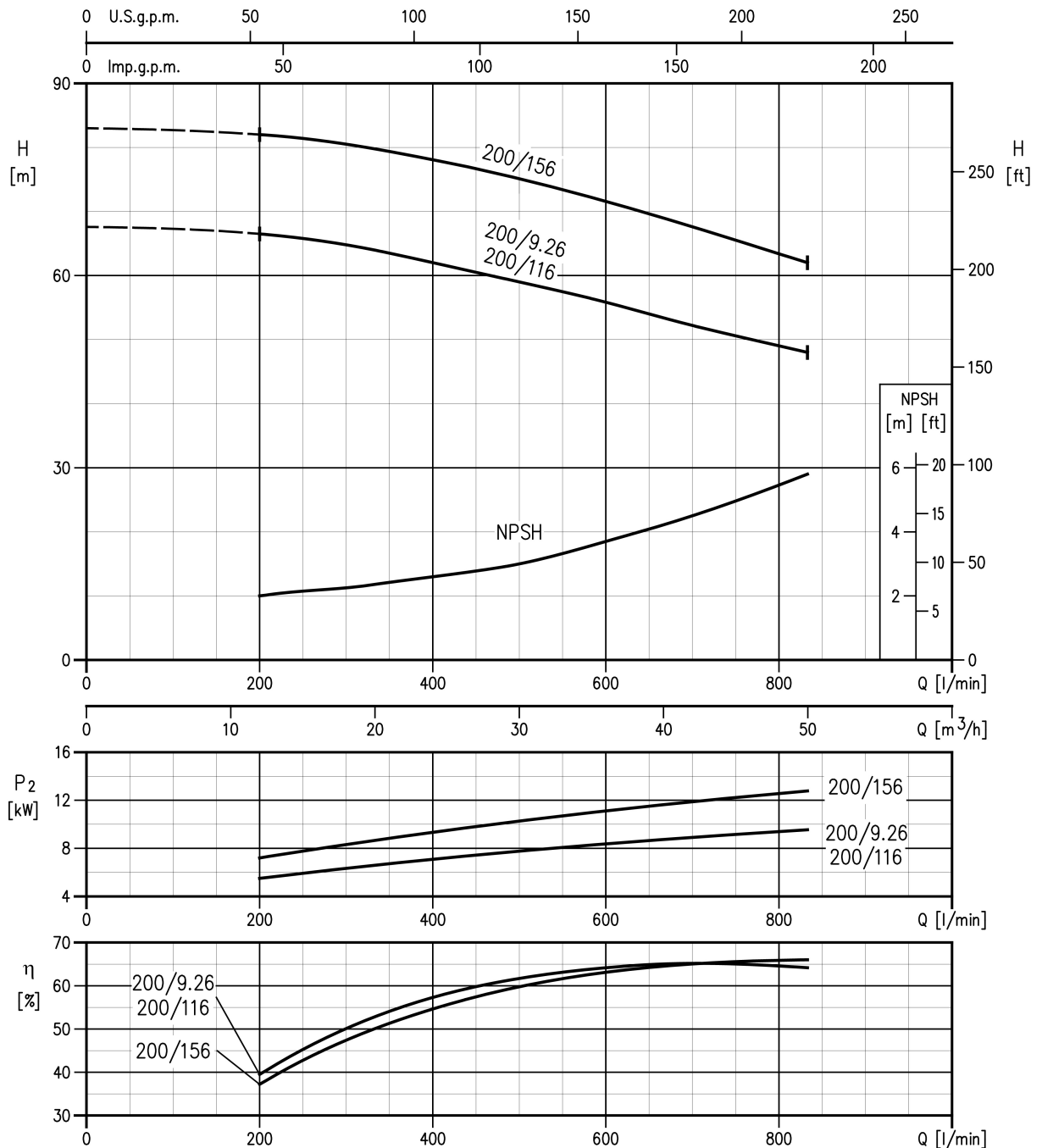
40-160/7.56 (7.5 kW) – Impeller diameter = 166 mm



Rotation speed $\approx 3480 \text{min}^{-1}$

Test standard: ISO 9006:2012 - Grade 3B

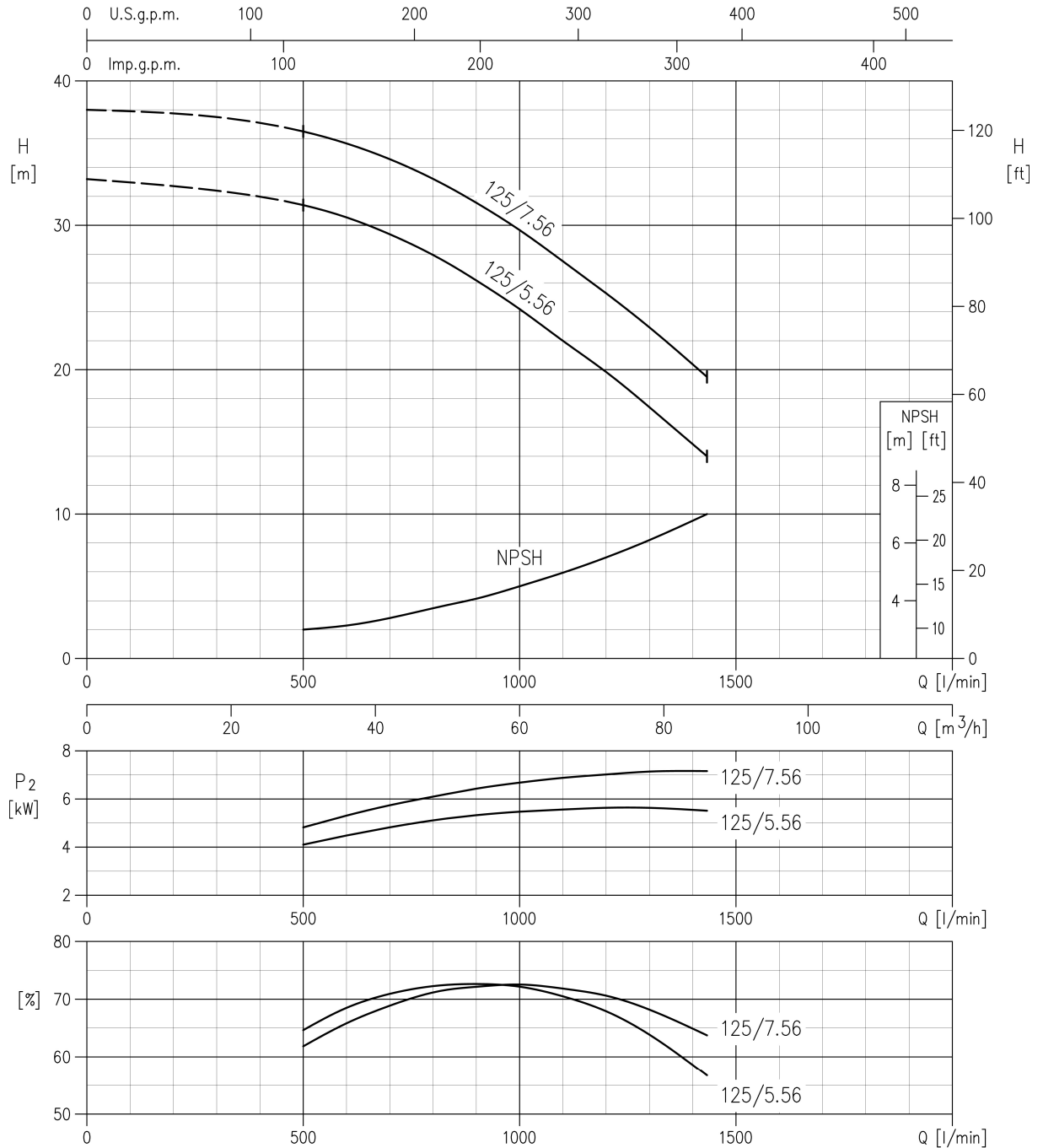
40-200/9.26 (9.2 kW) – Impeller diameter = 183 mm
 40-200/116 (11 kW) – Impeller diameter = 183 mm
 40-200/156 (15 kW) – Impeller diameter = 200 mm



Rotation speed $\approx 3480 \text{ min}^{-1}$
 Test standard: ISO 9006:2012 - Grade 3B

50-125/5.56 (5.5 kW) – Impeller diameter = 131 mm

50-125/7.56 (7.5 kW) – Impeller diameter = 140 mm

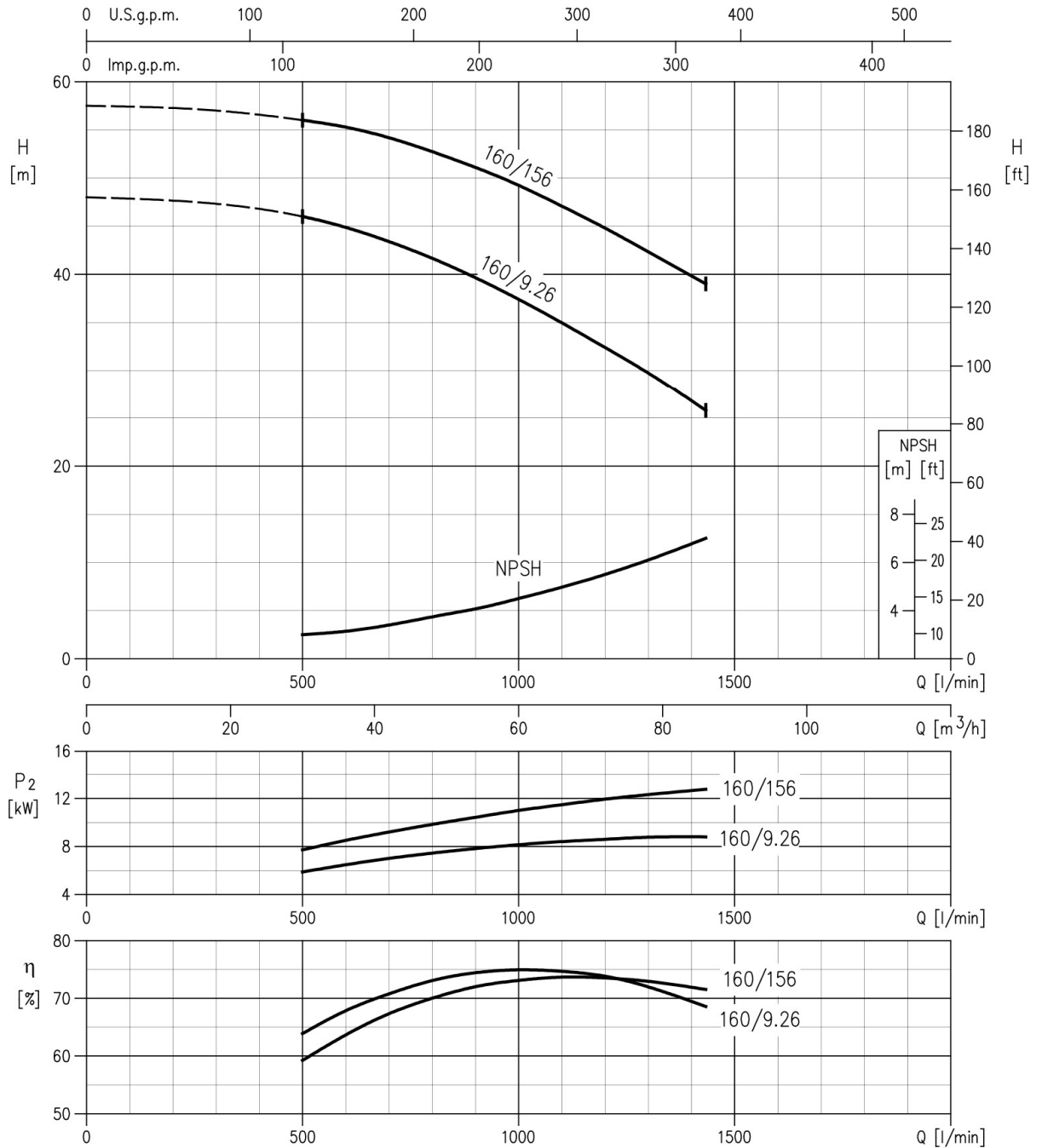


Rotation speed $\approx 3480 \text{ min}^{-1}$

Test standard: ISO 9006:2012 - Grade 3B

50-160/9.26 (9.2 kW) – Impeller diameter = 154 mm

50-160/156 (15 kW) – Impeller diameter = 166 mm

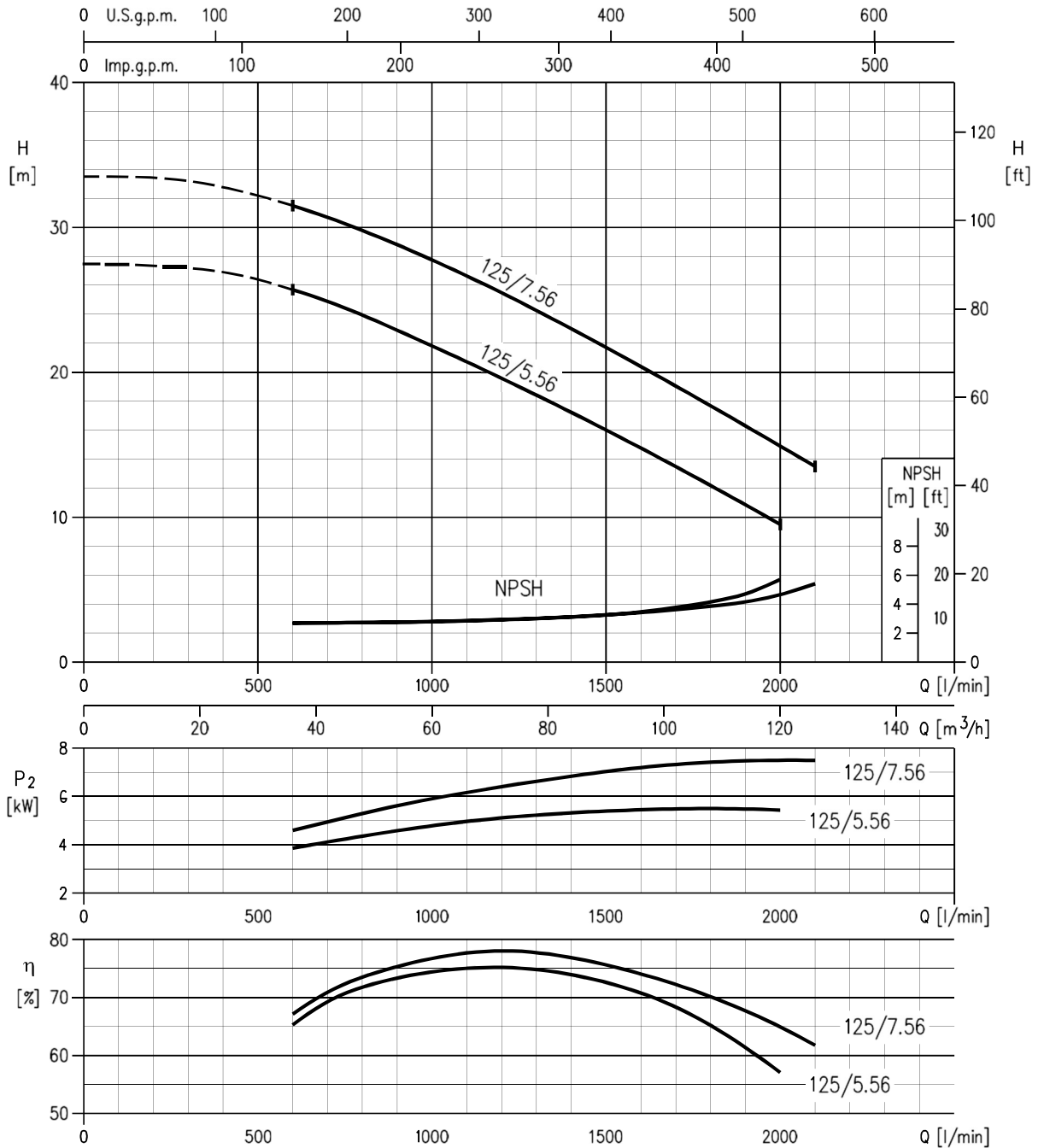


Rotation speed ≈ 3480 min⁻¹

Test standard: ISO 9006:2012 - Grade 3B

65-125/5.56 (5.5 kW) – Impeller diameter = 121 mm

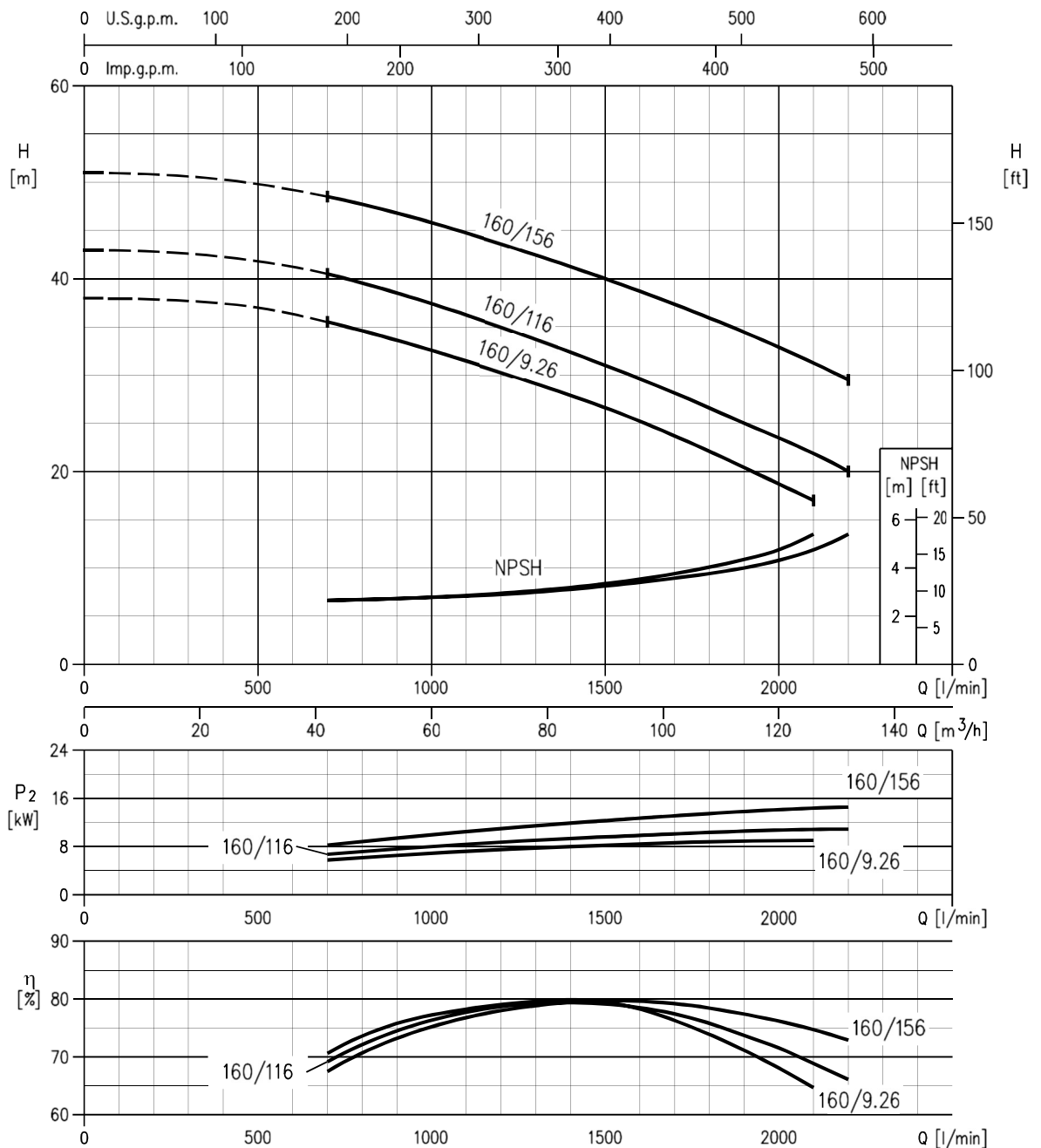
65-125/7.56 (7.5 kW) – Impeller diameter = 132 mm



Rotation speed $\approx 3480 \text{min}^{-1}$

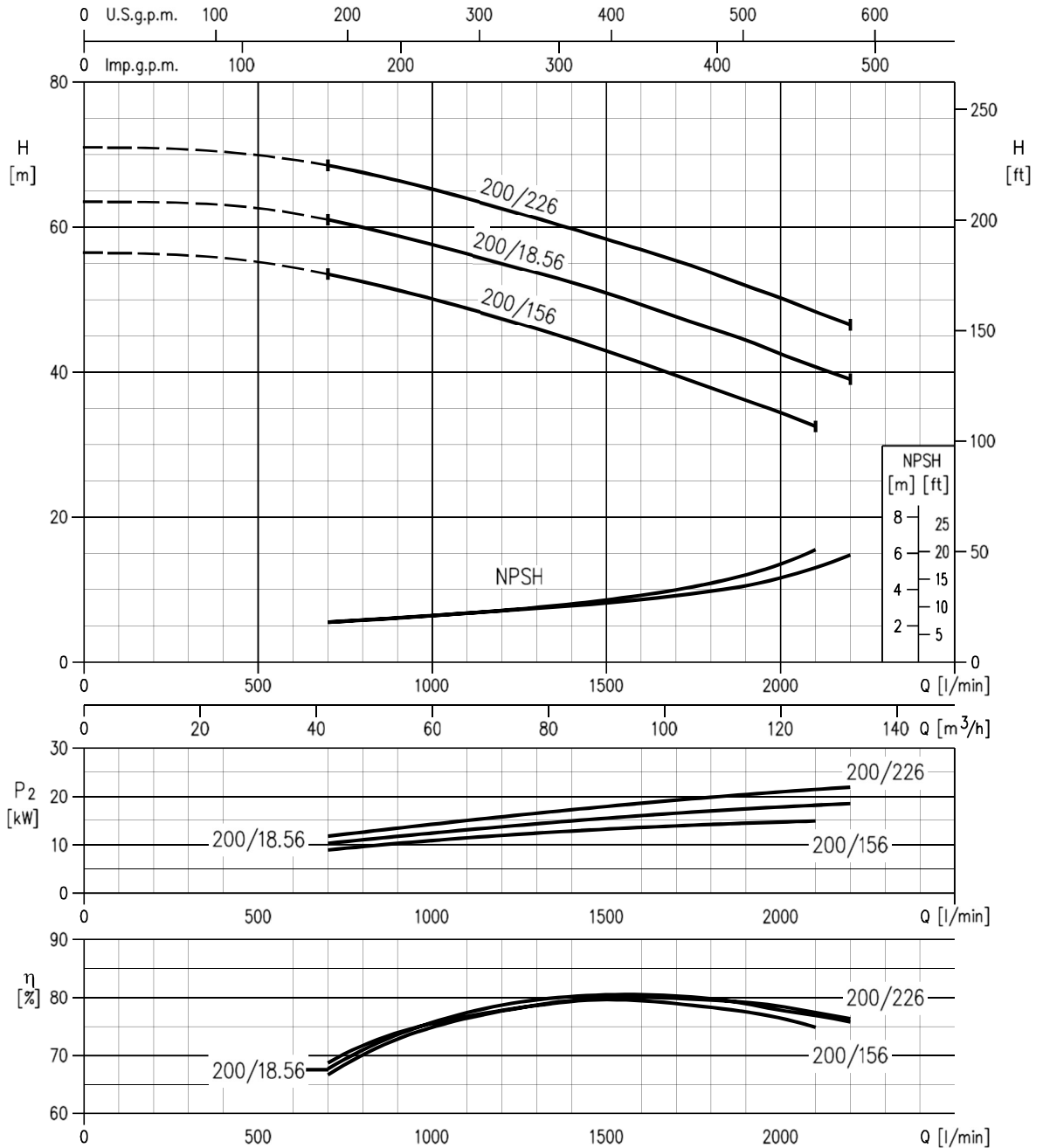
Test standard: ISO 9006:2012 - Grade 3B

65-160/9.26 (9.2 kW) – Impeller diameter = 139 mm
 65-160/116 (11 kW) – Impeller diameter = 146 mm
 65-160/156 (15 kW) – Impeller diameter = 157 mm



Rotation speed $\approx 3480 \text{min}^{-1}$
 Test standard: ISO 9006:2012 - Grade 3B

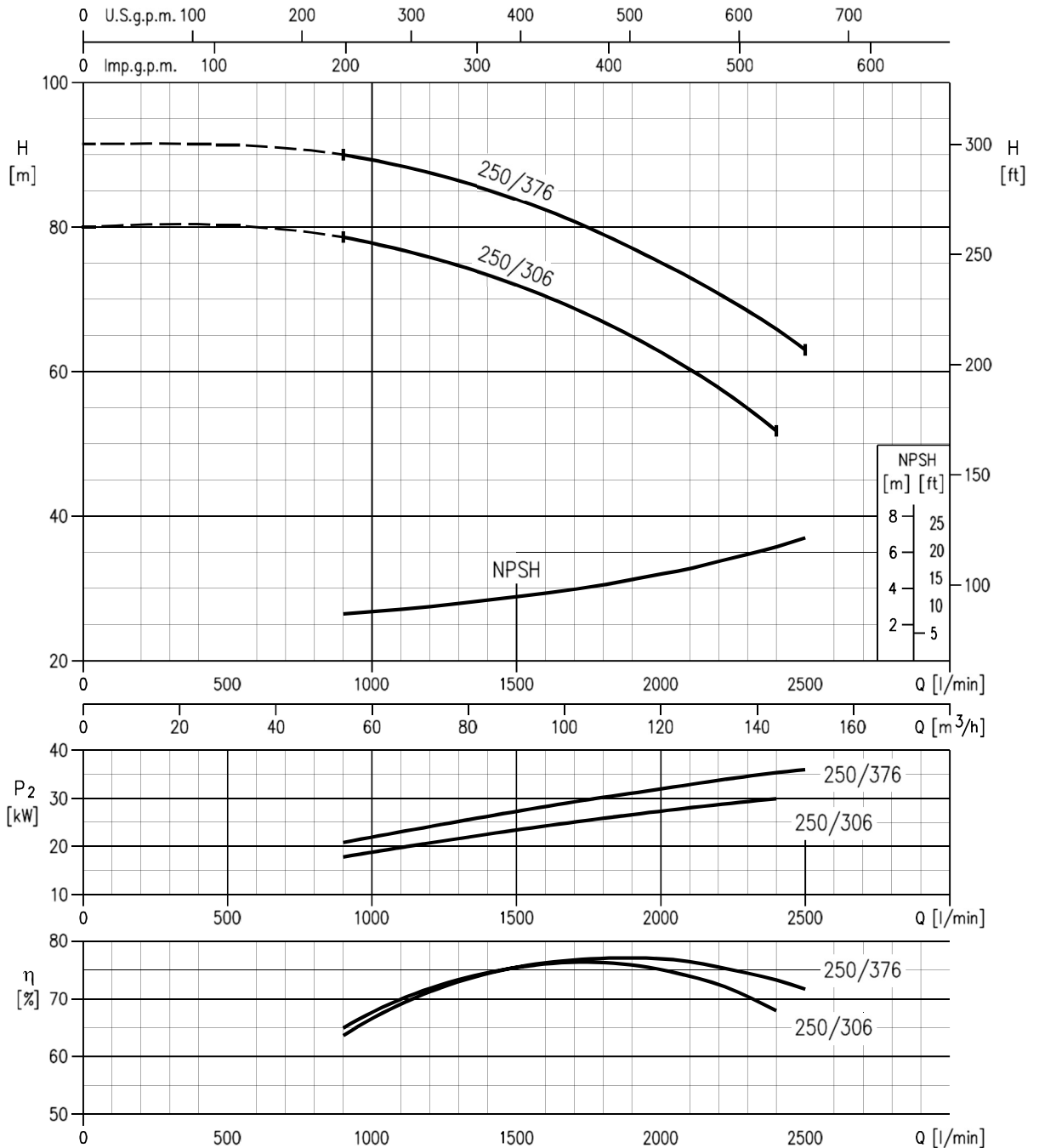
65-200/156 (15 kW) – Impeller diameter = 165 mm
 65-200/18.56 (18.5 kW) – Impeller diameter = 175 mm
 65-200/226 (22 kW) – Impeller diameter = 184 mm



Rotation speed ≈3520 min⁻¹
 Test standard: ISO 9006:2012 - Grade 3B

65-250/306 (30 kW) – Impeller diameter = 203 mm

65-250/376 (37 kW) – Impeller diameter = 216 mm

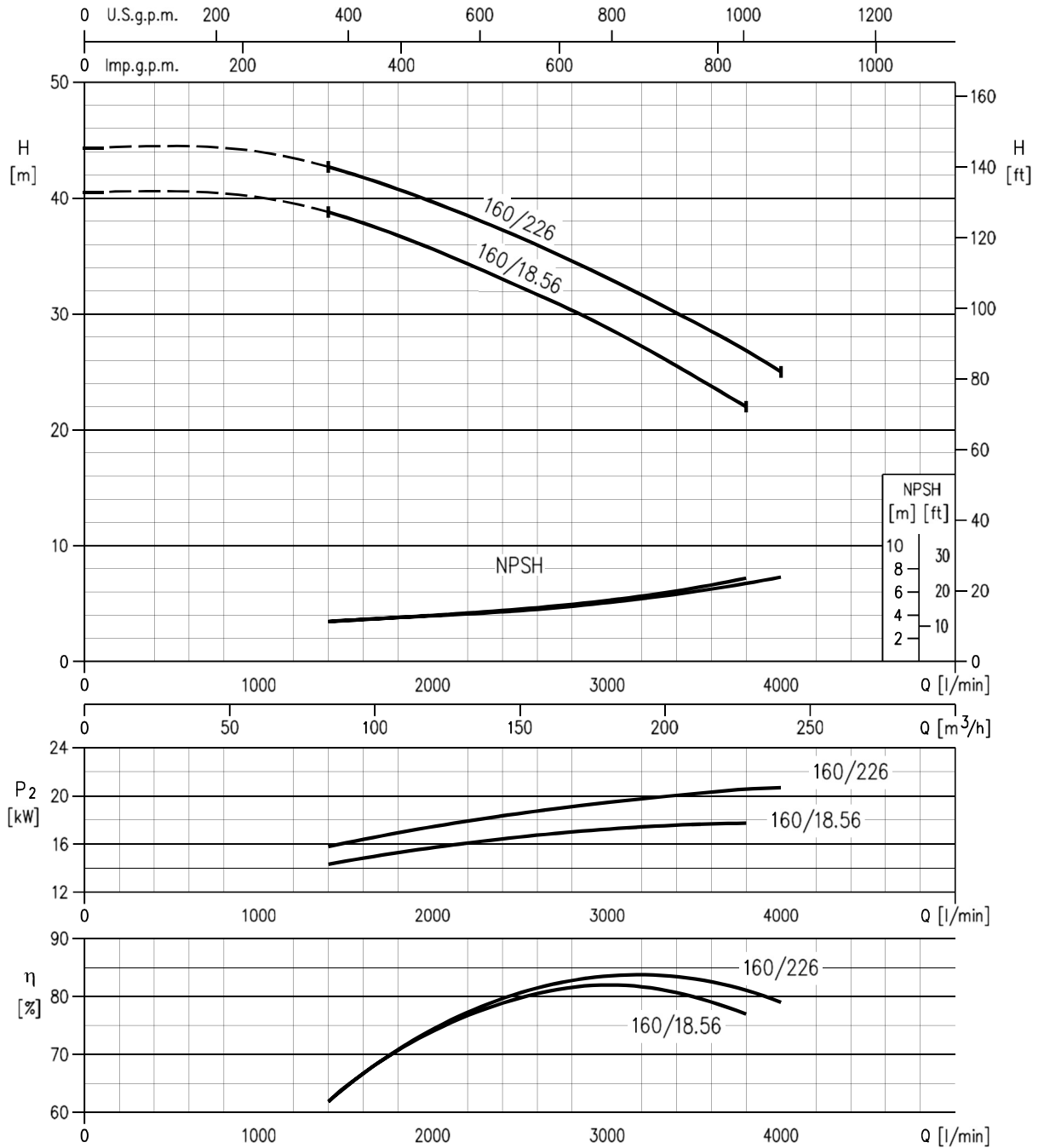


Rotation speed ≈3520 min⁻¹

Test standard: ISO 9006:2012 - Grade 3B

80-160/18.56 (18.5 kW) – Impeller diameter = 151 mm

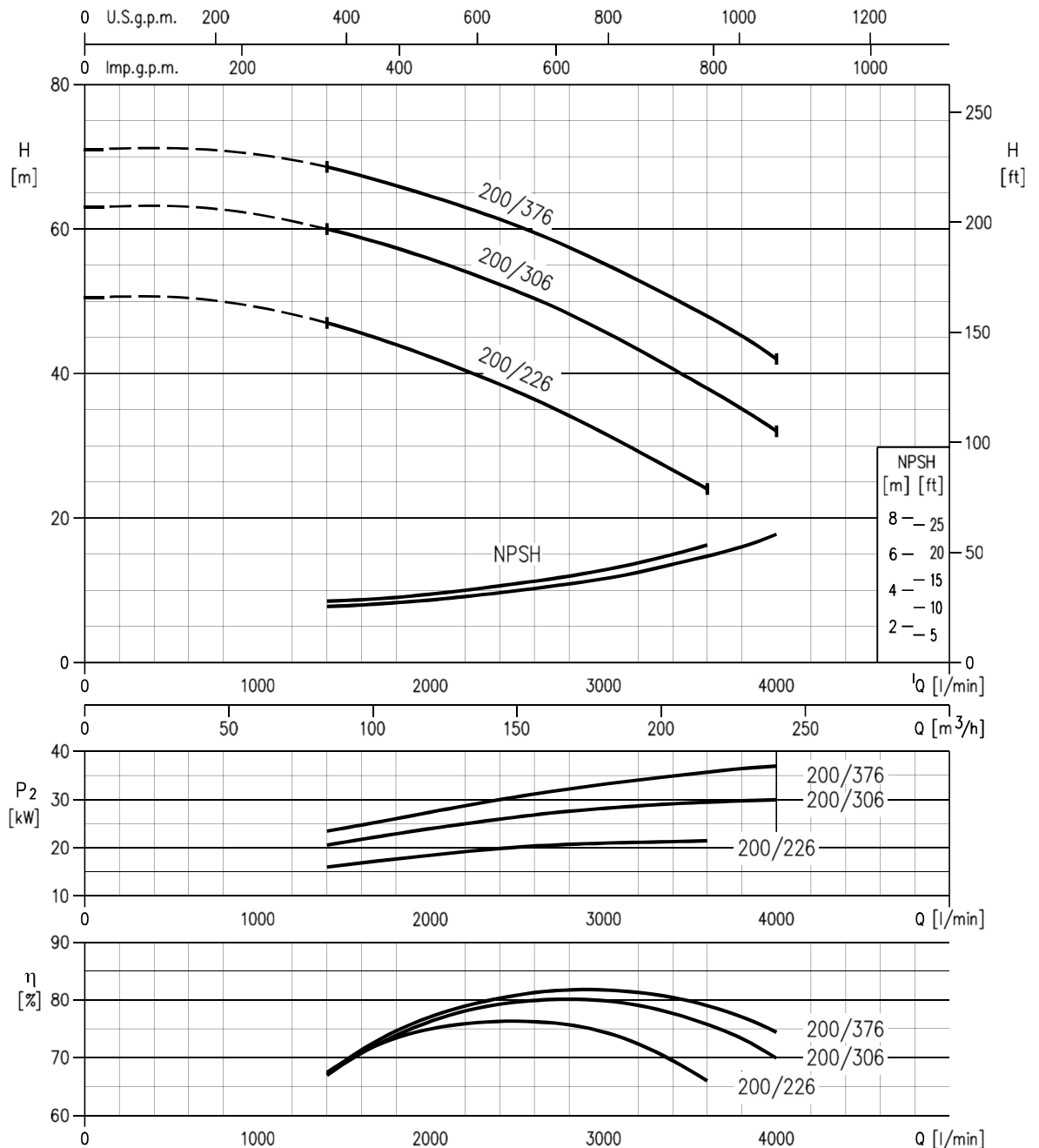
80-160/226 (22 kW) – Impeller diameter = 157 mm



Rotation speed $\approx 3520 \text{ min}^{-1}$

Test standard: ISO 9006:2012 - Grade 3B

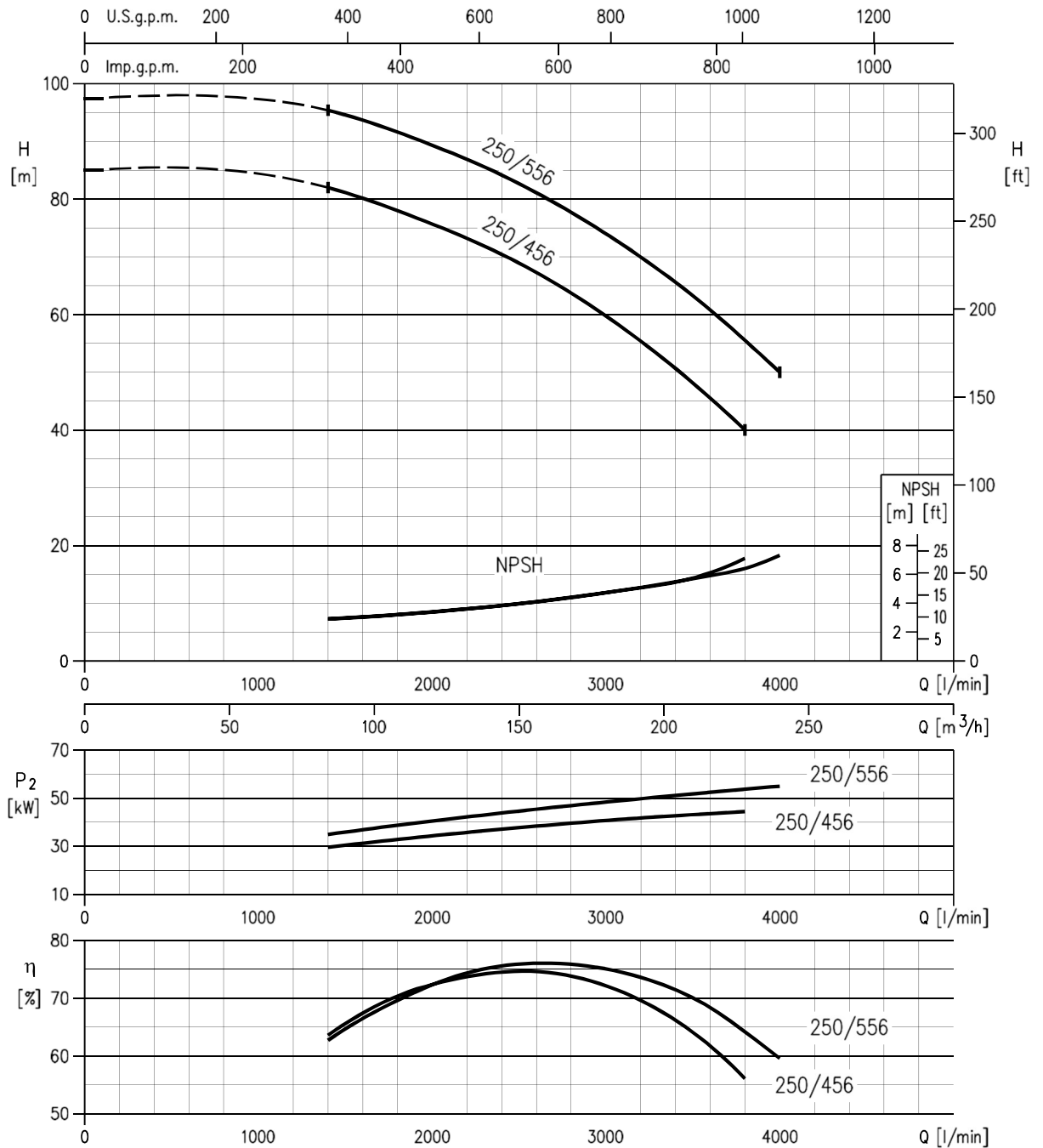
80-200/226 (22 kW) – Impeller diameter = 168 mm
 80-200/306 (30 kW) – Impeller diameter = 185 mm
 80-200/376 (37 kW) – Impeller diameter = 194 mm



Rotation speed ≈3520 min⁻¹
 Test standard: ISO 9006:2012 - Grade 3B

80-250/456 (45 kW) – Impeller diameter = 206 mm

80-250/556 (55 kW) – Impeller diameter = 218 mm

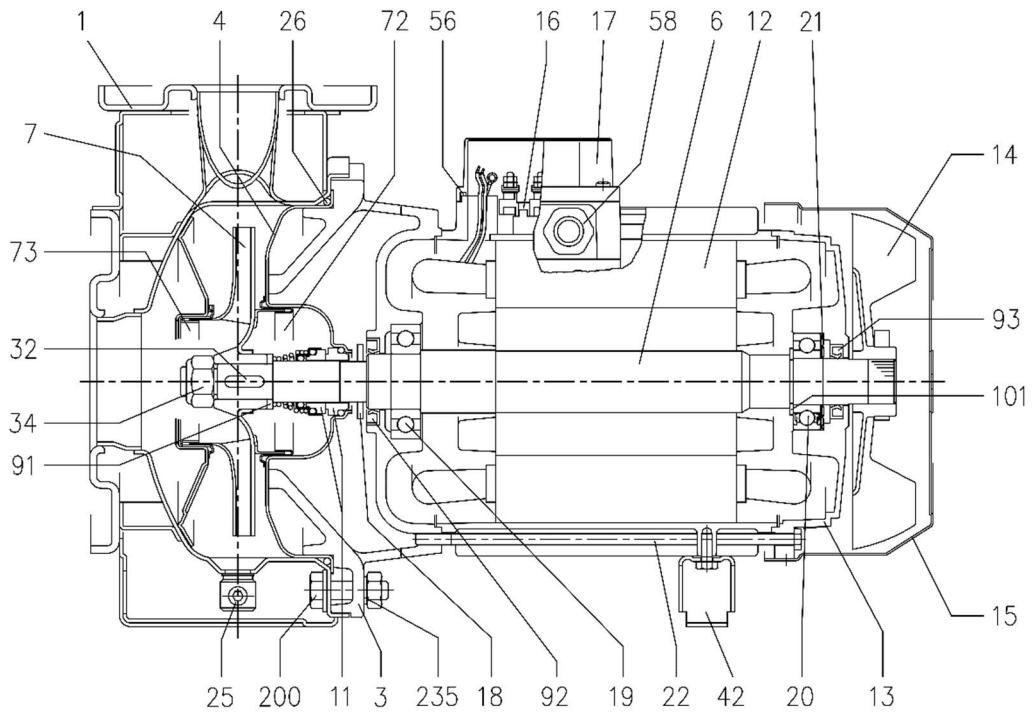


Rotation speed ≈3520 min⁻¹

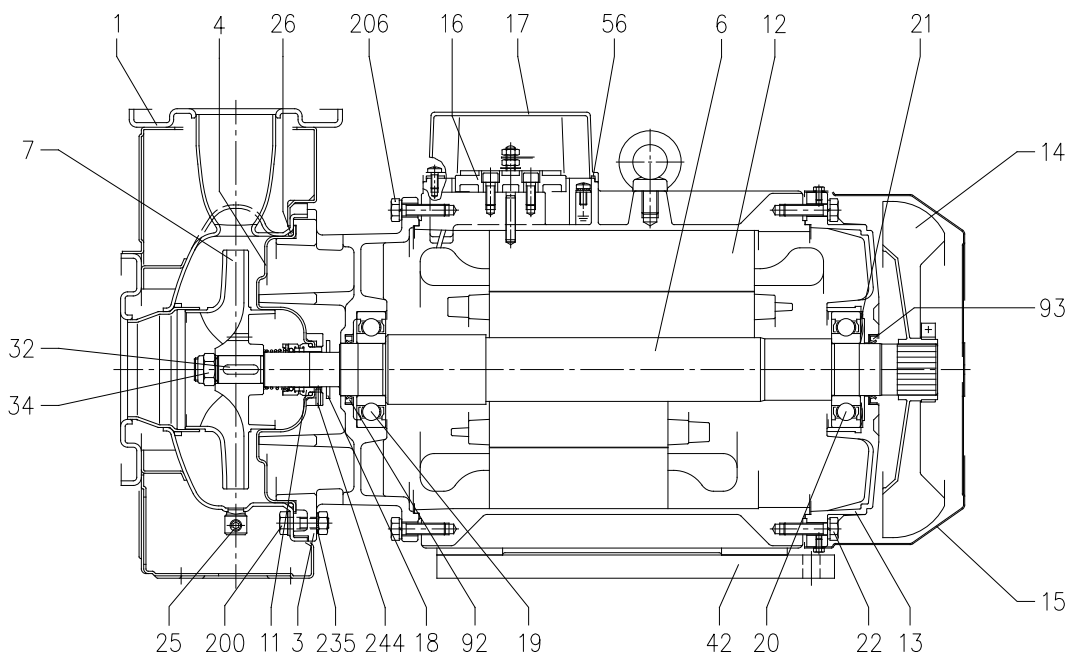
Test standard: ISO 9006:2012 - Grade 3B

SECTIONAL VIEW DRAWING 3(.)M 32, 40, 50, 65

UP TO 11 Kw



15 kW AND ABOVE



SECTIONAL VIEW TABLE 3(.)M 32, 40, 50

N°	PART NAME	MATERIAL		DIMENSIONS	STANDARD	Q.TY	
		3M	3LM				
1	Casing	EN 1.4301 (AISI 304)	EN 1.4404 (AISI 316L)			1	
3	Motor bracket	[3]	-			1	
4	Casing cover	EN 1.4301 (AISI 304)	EN 1.4404 (AISI 316L)			1	
6	Shaft with rotor-Part in contact with liquid	EN 1.4301 (AISI 304)	EN 1.4404 (AISI 316L)			1	
7	Impeller	EN 1.4301 (AISI 304)	EN 1.4404 (AISI 316L)			1	
11	Mechanical seal	[5]	-			1	
12	Motor frame with stator		-			1	
13	Motor cover		Aluminium			1	
14	Fan		PA			1	
15	Fan cover		Fe P04 Zincate			1	
16	Terminal		-			1	
17	Terminal box cover		Aluminium (three phase version)			1	
18	Splash ring	NBR	-	40x21.5x3	EBARA DRAWING	[6]	
19	Bearing		-			1	
20	Bearing	[7]	-			1	
21	Adjusting ring		Steel C70			1	
22	Tie rod	For 2.2 - 3 kW	Fe 42 Zincate	M5	EBARA DRAWING	4	
		For 4 - 5.5 - 7.5 kW		M6			
		For 9.2 - 11 - 15 kW		M8			
25	Draing plug	EN 1.4401 (AISI 316) / PTFE		R 1/8" L=8	DIN 906	1	
26	O-ring	32-125, 40-125	NBR/FPM/EPDM	FPM/EPDM	158.11x5.34	OR 6625	
		40-160, 50-125			183.52x5.34	OR 6720	
		32-160, 32-200, 40-200, 50-160			227.96x5.34	OR 6895	
32	Key	EN 1.4401 (AISI 316)		6x6x25	UNI 6604	1	
34	Impeller nut	A.270 EN ISO 35062		M16x1.5	UNI 7474	1	
42	Foot	Aluminium / Zincate steel			EBARA DRAWING	1	
56	Box gasket	NBR				1	
58	Fasting nut	-				1	
72	Casing ring	[1]	EN 1.4301 (AISI 304)	EN 1.4404 (AISI 316L)		1	
73	Casing ring		EN 1.4301 (AISI 304)	EN 1.4404 (AISI 316L)		1	
92	Lip seal	For 2.2 - 3 kW	-	-	25x40x7	DIN 3760 without spring	
		For 4 - 5.5 - 7.5 kW			30x47X7		
		For 9.2 - 11 - 15 kW			40x55x7		
93	Lip seal	For 2.2 - 3 kW	-	-	25x40x7	DIN 3760 without spring	
		For 4 - 5.5 - 7.5 kW			30x47X7		
		For 9.2 - 11 - 15 kW			40x55x7		
91	Impeller spacer	[8]	EN 1.4404 (AISI 316L)			1	
101	Snap ring (only for 9.2 - 11 - 15 kW)	Carbon tool steels TC 80		Ø 40	UNI 7435	1	
200	Screw	32-125, 40-125	Stainless steel A2 70 class ISO 3506/1		M 8x30	UNI 5739	8
		32-160, 32-200, 40-160, 40-200, 50-125, 50-160			M 10x35	UNI 5739	[2]
235	Washer	32-125, 40-125	EN 1.4301 (AISI 304)		M8.4x17	UNI 6592	8
		32-160, 32-200, 40-160, 40-200, 50-125, 50-160			M10.5x21		[2]

[1] For versions 32-200/5.56, 32-200/7.56, 40-200/5.5, 40-200/9.26, 40-200/156, 50-160/9.26, 50-160/156

[2] Quantity =10 for 32-160, 40-160, 50-125

Quantity =12 for 32-200, 40-200, 50-160

[3] Aluminium EN 1706 AC 46000 D for version, 40-200/9.26, 40-200/156, 50-160/9.26, 50-160/156

Cast iron EN-GJL-200-EN 1561 for other versions.

[4] See **MECHANICAL SEAL**, "O-ring" column, pages from 319 to 323

[5] See **MECHANICAL SEAL**, pages from 319 to 323

[6] Quantity =1, not for L version

[7] See **BEARINGS**, page 317

[8] Only for 32-125/2.26

SECTIONAL VIEW TABLE 3(.)M 65

N°	PART NAME	MATERIAL 3M	MATERIAL 3LM	DIMENSIONS	STANDARD	Q.TY
1	Casing	EN 1.4301 (AISI 304)	EN 1.4404 (AISI 316L)			1
3	Motor bracket [6]	-	-			1
4	Casing cover	EN 1.4301 (AISI 304)	EN 1.4404 (AISI 316L)			1
6	Shaft with rotor	EN 1.4301(AISI 304) Part in contact with liquid	EN 1.4404(AISI 316L) Part in contact with liquid			1
7	Impeller	EN 1.4401 (AISI 316) [11]				1
11	Mechanical seal [8]	-	-			1
12	Motor frame with stator	-				1
13	Motor cover	Aluminium				1
14	Fan	PA				1
15	Fan cover	Fe P04 Zincate				1
16	Terminal	-				1
17	Terminal box cover	Aluminium				1
18	Splash ring	NBR	/	40x21.5x3	EPE DRAWING	[1]
	Up to 11 kW 15 kW and above			50x29.5x3		
19	Bearing	-				1
20	Bearing [10]	-				1
21	Adjusting ring	Steel C70				1
22	Tie rod	Fe 42 Zincate			EPE DRAWING	4
	Up to 11 kW 15 kW and above	Zn. Steel 8.8 strenght class ISO 898/1			UNI 5739	
25	Draining plug	EN 1.4401 (AISI 316) / PTFE		R 1/8" L=8	DIN 906	1
26	O-ring	NBR/FPM/EPDM	FPM/EPDM	183.52x5.34	OR 6720	1
	65-125 65-160, 65-200 [7]			227.96x5.34	OR 6895	
32	Key	EN 1.4401 (AISI 316)		6x6x25 8x7x30	UNI 6604	1
34	Impeller nut	EN 1.4301 (AISI 304)	EN 1.4404 (AISI 316L)	M16x1.5	UNI 7474	1
	Up to 11 kW 15 kW and above			M20x1.5		
42	Foot	Aluminium / Zincate steel			EPE DRAWING	[2]
56	Box gasket	NBR				1
58	Fasting nut	-				[3]
92	Lip seal	-		30x47X7	DIN 3760 without spring	1
	Up to 7.5 kW			40x55x7		
	From 9.2 kW to 11 kW From 15 kW to 22 kW			45x60x7		
93	Lip seal	-		25x40x7	DIN 3760 without spring	1
	For 4 kW			30x47X7		
	From 5.5 kW to 7.5 kW			40x55x7		
	From 9.2 kW to 11 kW From 15 kW to 22 kW			45x60x7		
101	Snap ring (only 9.2 and 11kW)	Carbon tool steels TC 80		Ø 40	UNI 7435	1
200	Screw	Stainless steel A2-70 class ISO 3506/1		M 10x35	UNI 5739	[4]
206	Screw for bracket [5]	Zincate steel 8.8 strenght class ISO 898/1		M 10x40	UNI 5739	4
244	Pin [9]	EN 1.4301 (AISI 304)		4x15		1
235	Washer	EN 1.4301	(AISI 304)	10.5x21	UNI 6592	12

[1] Quantity =1, not for L version

[2] Quantity =0 for version 65-160/156

Quantity =1 for version 65-125/5.56, 65-125/7.56, 65-160/9.26, 65-160/116,

Quantity =2 for version 65-200/156, 65-200/18.56, 65-200/226

[3] Quantity =1 Up to 11 kW

Quantity =2 from 15 kW to 22kW

[4] Quantity =10 for 65-125

Quantity =12 for 65-160 and 65-200

[5] For 15 kW and above

[6] Aluminium EN 1706 AC 46000 D for version 65-160/9.26, 65-160/116.

Cast iron EN-GJL-200-EN 1561 for other versions

[7] See **MECHANICAL SEAL**, "O-ring" column, pages from 319 to 323

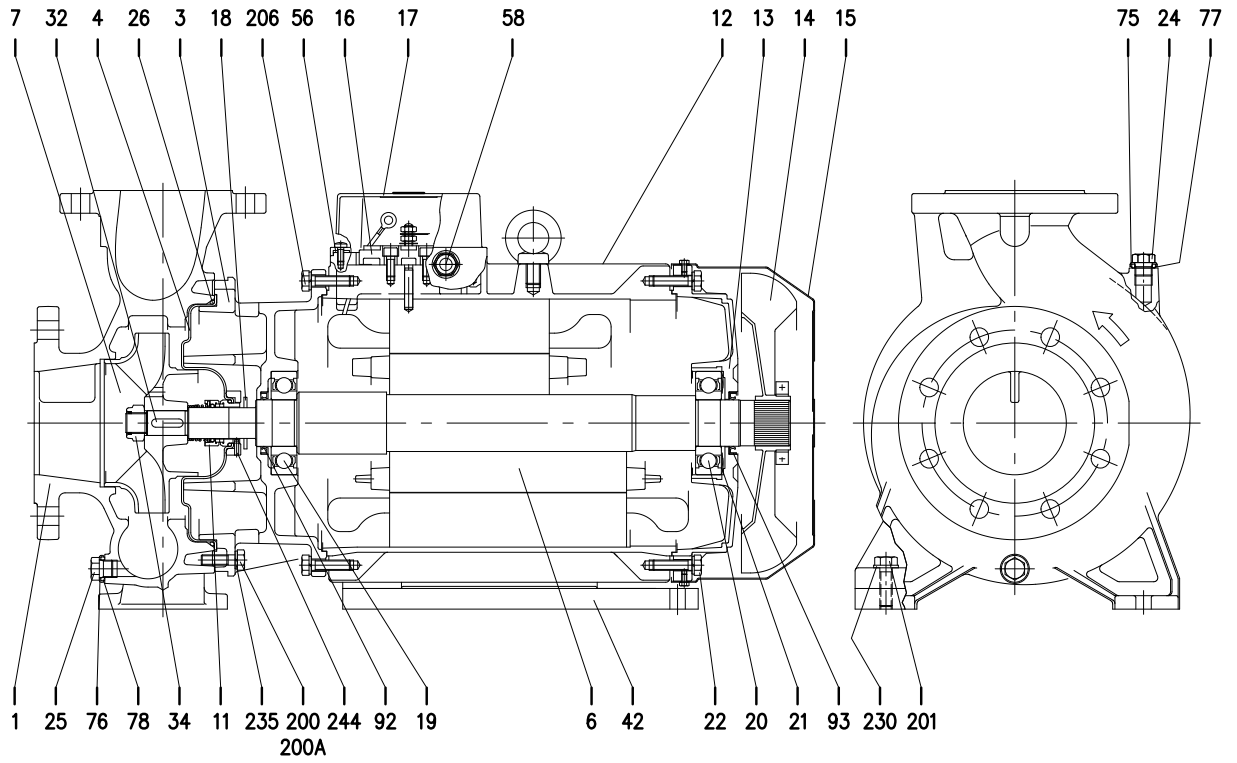
[8] See **MECHANICAL SEAL**, pages from 319 to 323

[9] Only for 65-160/156 and 65-200

[10] See **BEARINGS**, page 317

[11] CF8M – EN 1.4408 (AISI316) material for 65-125 up to 65-200

SECTIONAL VIEW DRAWING 3LM 80-160



SECTIONAL VIEW TABLE 3LM 80-160

N°	PART NAME	MATERIAL	DIMENSIONS	STANDARD	Q.TY
1	Casing	CF8M - EN 1.4408 (AISI 316)			1
3	Motor bracket	Cast iron EN-GJL-200-EN 1561			1
4	Casing cover	EN 1.4404 (AISI 316L)			1
6	Shaft with rotor	EN 1.4404(AISI 316L) Part in contact with liquid			1
7	Impeller	CF8M - EN 1.4408 (AISI 316)			1
11	Mechanical seal [3]	SiC/SiC/FPM			1
12	Motor frame with stator	-			1
13	Motor cover	Aluminium			1
14	Fan	PA			1
15	Fan cover	Fe P04 Zincate			1
16	Terminal	-			1
17	Terminal box cover	Aluminium			1
18	Splash ring	NBR	50x29.5x3	EPE DRAWING	1
19	Bearing [4]	-			1
20	Bearing	-			1
21	Adjusting ring	Steel C70			1
22	Screw	Zn. Steel 8.8 strenght class ISO 898/1		UNI 5739	4
24	Plug	EN 1.4404 (AISI 316L)	G 3/8	EPE DRAWING	1
25	Plug	EN 1.4404 (AISI 316L)	G 3/8	EPE DRAWING	1
26	O-ring	FPM	227.96x5.34	OR 6895	1
32	Key	EN 1.4401 (AISI 316)	8x7x30	UNI 6604	1
34	Impeller nut	EN 1.4404 (AISI 316L)	M20x1.5	UNI 7474	1
42	Foot	Aluminium		EPE DRAWING	2
56	Box gasket	NBR			1
58	Fasting nut	-			2
75	Washer (plug)	EN 1.4404 (AISI 316L)			1
76	Washer (plug)				1
77	O-ring (plug)				1
78	O-ring (plug) [2]	FPM/EPDM			1
92	Lip seal	-	45x60x7	DIN 3760 without spring	1
93	Lip seal	-	45x60x7	DIN 3760 without spring	1
200	Screw	Stainless steel A2-70 class ISO 3506/1	M 10x35	UNI 5739	10
200A	Screw		M 10x30		2
201	Screw	Zincate steel 8.8 strenght class ISO 898/1	M 12x40	UNI 5739	4
206	Screw for bracket	Zincate steel 8.8 strenght class ISO 898/1	M 10x40	UNI 5739	4
230	Washer	Zincate steel	13x24x2.5	UNI 6592	4
235	Washer	EN 1.4301(AISI 304)	10.5	UNI 6592	12
244	Pin [1]	EN 1.4301(AISI 304)	4x15		1

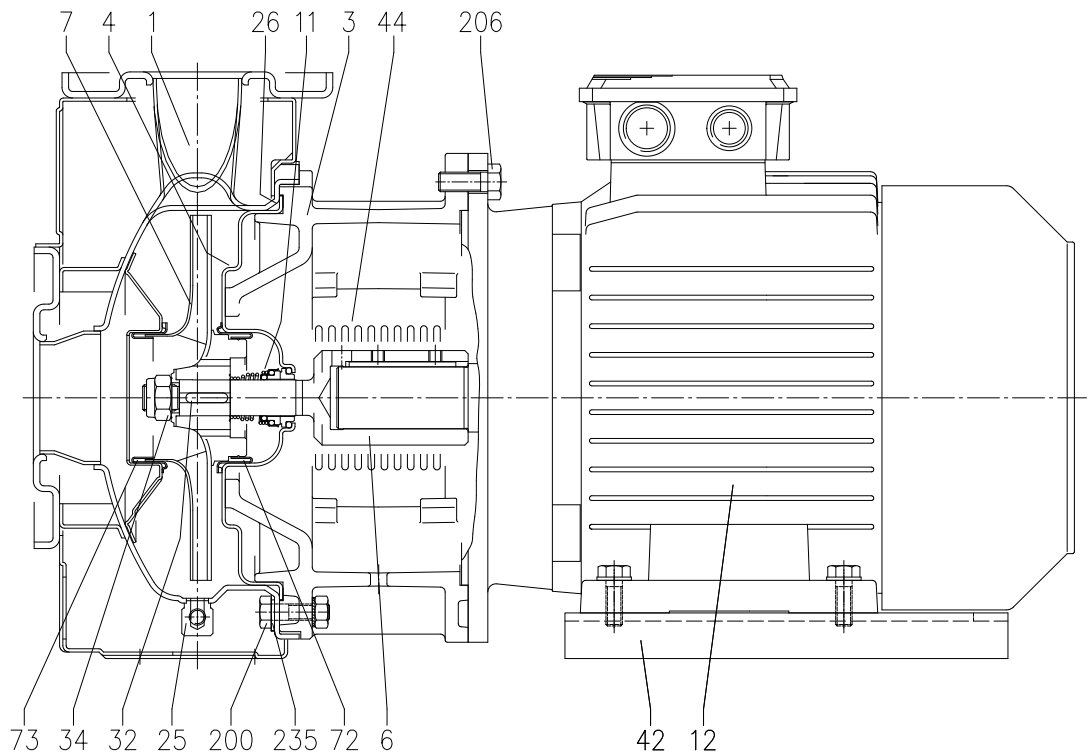
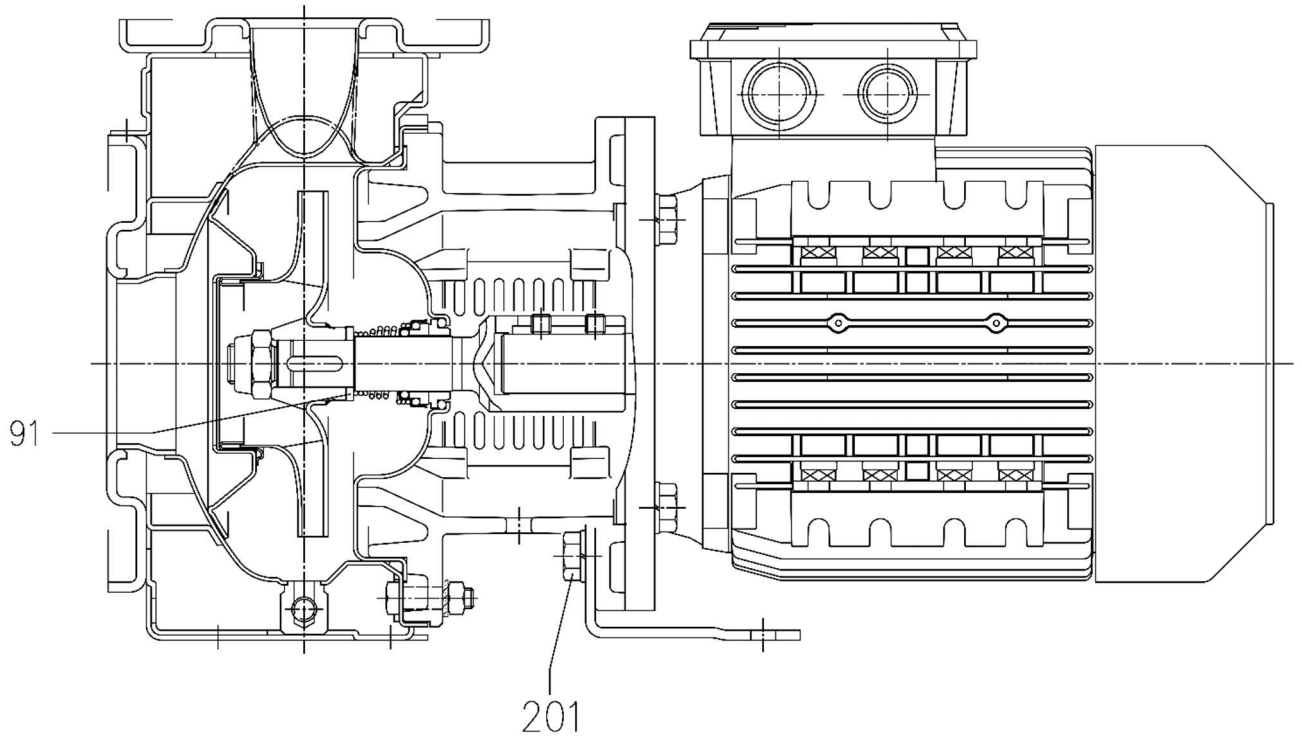
[1] Not for H, HW, HSW, E version

[2] See **MECHANICAL SEAL**, "O-ring" column, pages from 319 to 323

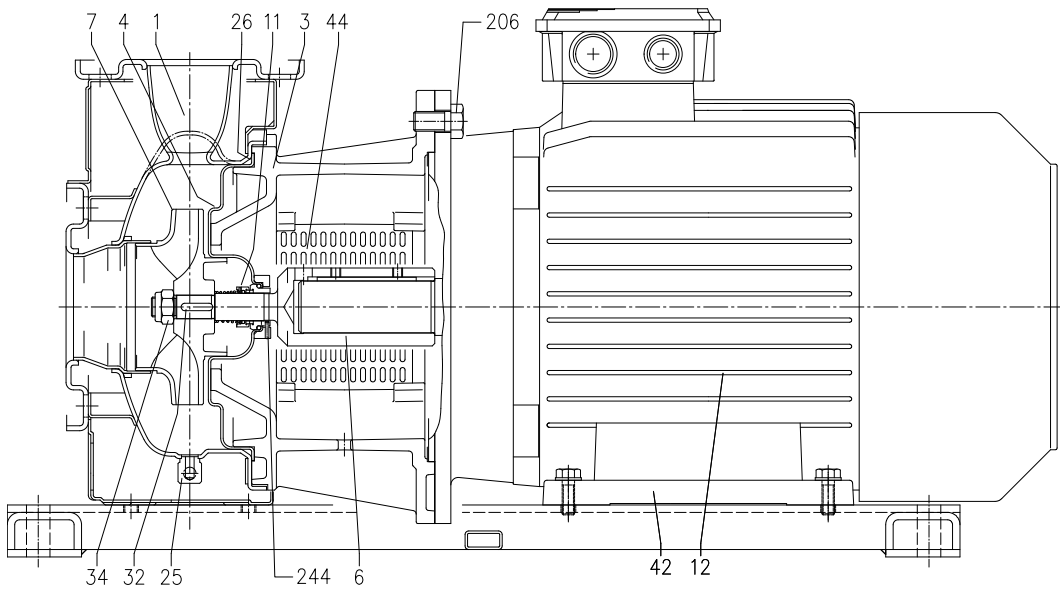
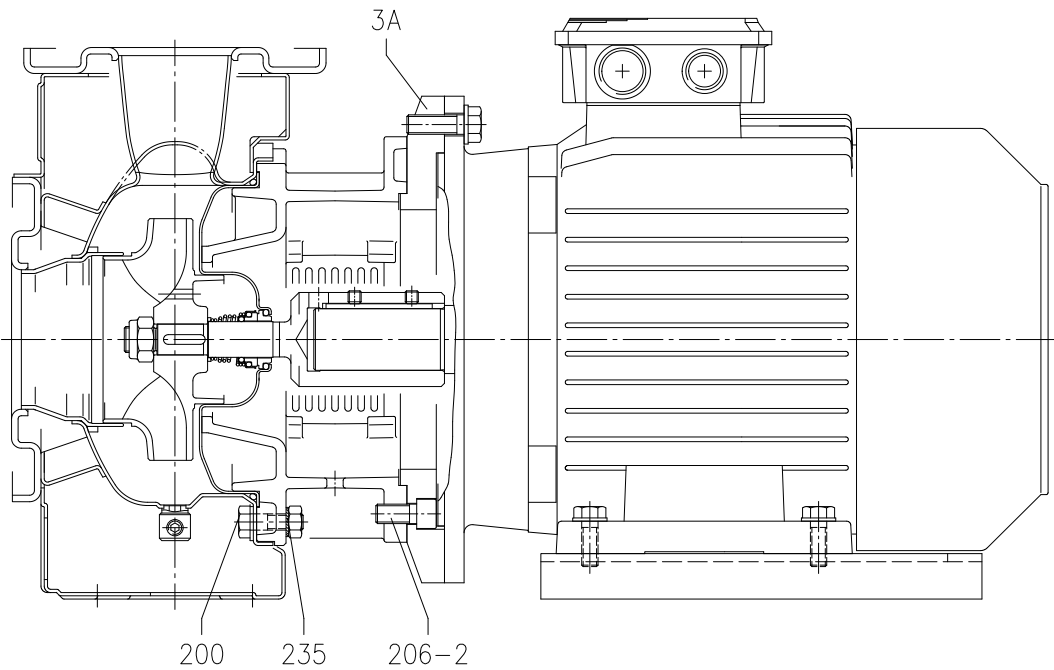
[3] See **MECHANICAL SEAL**, pages from 319 to 323

[4] See **BEARINGS**, page 317

SECTIONAL VIEW DRAWING 3(.)S 32, 40, 50



SECTIONAL VIEW DRAWING 3(.)S 65-125/160/200



SECTIONAL VIEW TABLE 3(.)S 32, 40, 50, 65-125/160/200

N°	PART NAME	MATERIAL		DIMENSIONS	STANDARD	Q.TY
		3S	3LS			
1	Casing	EN 1.4301 (AISI 304)	EN 1.4404 (AISI 316L)			1
3	Motor bracket	Cast iron EN-GJL-200-EN 1561				1
3A	Adapter ring [1]	Cast iron EN-GJL-200-EN 1561				1
4	Casing cover	EN 1.4301 (AISI 304)	EN 1.4404 (AISI 316L)			1
6	Coupling - Part in contact with liquid [10]	EN 1.4301 (AISI 304)	EN 1.4404 (AISI 316L)			1
7	Impeller [9]	CF8M - EN 1.4408 (AISI 316)				1
11	Mechanical seal [7]	-	-			1
12	Motor	-				1
25	Draing plug	EN 1.4401 (AISI 316) / PTFE		R 1/8" L=8	DIN 906	1
26	O-ring [8]	NBR/FPM/EPDM	FPM/EPDM	32-125, 40-125	OR 6625	1
				32-160, 40-160, 50-125, 65-125	OR 6720	
				32-200, 40-200, 50-160, 65-160, 65-200	OR 6895	
32	Key	EN 1.4401 (AISI 316)		6x6x25	UNI 6604	1
		Up to 11 kW	15 kW and above	8x7x30		
34	Impeller nut	EN 1.4301 (AISI 304)	EN 1.4404 (AISI 316L)	Up to 11kW	M16x1.5	UNI 7474
				15 kW and above	M20x1.5	
42	Foot	Aluminium / Zinc-coated steel				[2]
44	Protection	EN 1.4301 (AISI 304)			EBARA DRAWING	1
72	Casing ring [3]	EN 1.4301 (AISI 304)	EN 1.4404 (AISI 316L)			1
73	Casing ring (not for 65 version)	EN 1.4301 (AISI 304)	EN 1.4404 (AISI 316L)			1
91	Impeller spacer [11]	EN 1.4404 (AISI 316L)				1
200	Screw	Stainless steel A2 70 class ISO 3506/1		32-125, 40-125	M8x30	UNI 5739
				32-160, 32-200, 40-160, 40-200, 50-125, 50-160, 65-125, 65-160, 65-200	M10x35	UNI 5739
201	Screw	Zn. Steel 8.8 strenght class ISO 898/1		M10x16	UNI 5739	[5]
206	Screw for bracket	Zn. Steel 8.8 strenght class ISO 898/1		M10x40	UNI 5739	4
206-2	Screw adapter ring [1]	Zn. Steel 8.8 strenght class ISO 898/1			UNI 5931	4
235	Washer	Stainless steel A2 70 class ISO 3506/1		32-125, 40-125	M8.4x17	UNI 6592
				32-160, 32-200, 40-160, 40-200, 50-125, 50-160, 65-125, 65-160, 65-200	M10.5x21	UNI 6592
244	Pin [6]	-	EN 1.4301 (AISI 304)		UNI 5931	4

[1] Only for versions 65-125/5.56 and 65-125/7.56

[2] Quantity =0 for version 65-200/226

Quantity =1 for version for 32, 40, 50, 65-125/5.56, 65-125/7.56, 65-160/116, 65-160/156, 65-200/156, 65-200/18.56

Quantity =2 for version for 65-160/9.26

[3] Only for version 32-200, 40-200, 50-160

[4] Quantity =10 for 32-160, 40-160, 50-125, 65-125

Quantity =12 for 32-200, 40-200, 50-160, 65-160, 65-200

[5] Only for version 32-125, 32-160, 40-125

[6] Only for 65-160/156, 65-200

[7] See **MECHANICAL SEAL**, pages from 319 to 323

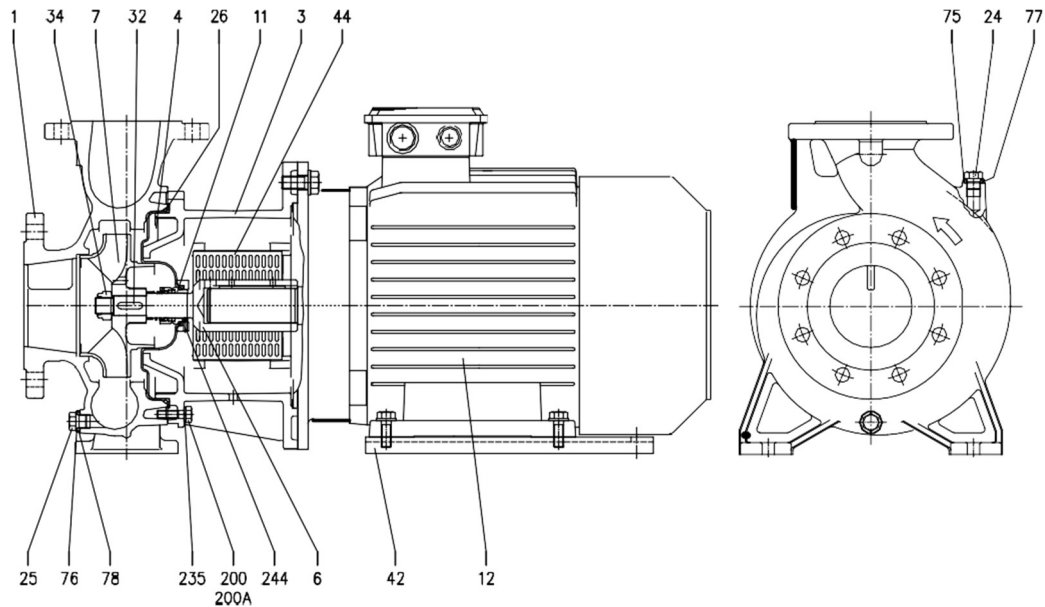
[8] See **MECHANICAL SEAL**, "O-ring" column, pages from 319 to 323

[9] Only for version 65-125/160/200

[10] See **COUPLING**, page 324

[11] Only for 32-125/2.26

SECTIONAL VIEW DRAWING 3LS 80-160



SECTIONAL VIEW TABLE 3LS 80-160

N°	PART NAME	MATERIAL	DIMENSIONS	STANDARD	Q.TY
1	Casing	CF8M - EN 1.4408 (AISI 316)			1
3	Motor bracket	Cast iron EN-GJL-200-EN 1561			1
4	Casing cover	EN 1.4404 (AISI 316L)			1
6	Coupling [4]	EN 1.4404 (AISI 316L)			1
7	Impeller	CF8M - EN 1.4408 (AISI 316)			1
11	Mechanical seal [3]	-			1
12	Motor	-			1
24	Plug	EN 1.4404 (AISI 316L)	G3/8	EPE DRAWING	1
25	Plug	EN 1.4404 (AISI 316L)	G3/8	EPE DRAWING	1
26	O-ring [2]	FPM/EPDM	227.96x5.34	OR 6895	1
32	Key	EN 1.4401 (AISI 316)	8x7x30	UNI 6604	1
34	Impeller nut	EN 1.4404 (AISI 316L)	M20x1.5	UNI 7474	1
42	Foot	Aluminium		EPE DRAWING	2
44	Protection	EN 1.4301 (AISI 304)		EPE DRAWING	2
75	Washer (plug)	EN 1.4404 (AISI 316L)			1
76	Washer (plug)				1
77	O-ring (plug)	FPM/EPDM			1
78	O-ring (plug) [2]				1
200	Screw	Stainless steel A2-70 class ISO 3506/1	M 10x35	UNI 5739	10
200A	Screw		M 10x30		2
235	Washer	EN 1.4301(AISI 304)	10.5x21	UNI 6592	12
244	Pin [1]	EN 1.4301(AISI 304)	4x15		1

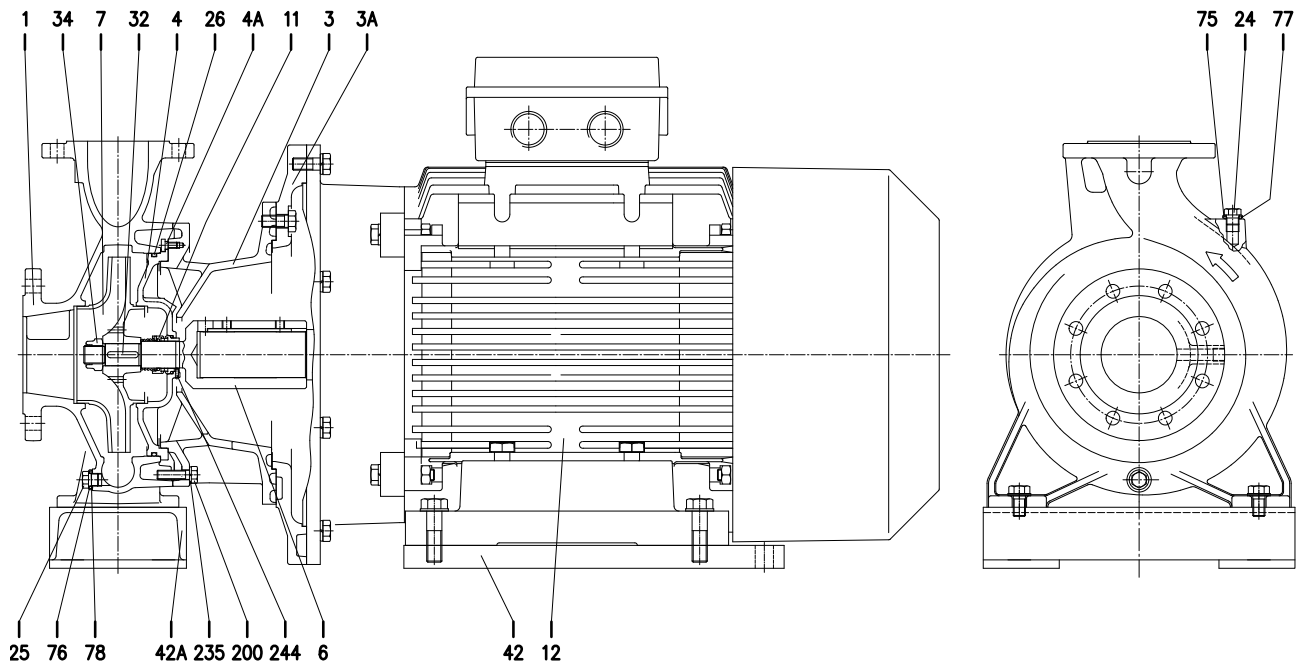
[1] Not for H, HW, HSW, E version.

[2] See **MECHANICAL SEAL**, "O-ring" column, pages from 319 to 323

[3] See **MECHANICAL SEAL**, pages from 319 to 323

[4] See **COUPLING**, page 324

SECTIONAL VIEW DRAWING 3LS 65-250, 80-200/250



SECTIONAL VIEW TABLE 3LS 65-250, 80-200/250

N°	PART NAME	MATERIAL	DIMENSIONS	STANDARD	Q.TY
1	Casing	CF8M - EN 1.4408 (AISI 316)			1
3	Motor bracket	Cast iron EN-GJL-200-EN 1561			1
3A	Adapter ring	Cast iron EN-GJL-200-EN 1561			[1]
4	Casing cover	EN 1.4401 (AISI 316)			1
4A	Screw for casing cover	EN 1.4301(AISI 304)			2
6	Coupling [7]	EN 1.4404 (AISI 316L) for 22 kW			1
		EN 1.4462 (Duplex stainless steel) for 30-37 kW			
7	Impeller	CF8M - EN 1.4408 (AISI 316)			1
11	Mechanical seal [6]	-			1
12	Motor	-			1
24	Plug	EN 1.4404 (AISI 316L)	G3/8	EPE DRAWING	1
25	Plug	EN 1.4404 (AISI 316L)	G3/8	EPE DRAWING	1
26	O-ring [5]	FPM/EPDM	253.36x5.34	OR 6995	1
32	Key	EN 1.4401 (AISI 316)	65-250	UNI 6604	1
			80-200		1
			80-250		1
34	Impeller nut	EN 1.4404 (AISI 316L)	65-250	UNI 7474	1
			80-200		1
			80-250		1
42	Foot for motor	Aluminium			[2]
42A	Foot for pump	Aluminium/zincate steel (only for 80-250/55)		EPE DRAWING	[3]
75	Washer (plug)	EN 1.4404 (AISI 316L)			1
76	Washer (plug)				1
77	O-ring (plug)				1
78	O-ring (plug) [5]	FPM/EPDM			1
200	Screw	Stainless steel A2-70 class ISO 3506/1	M12x45	UNI 5739	10
235	Washer	C70	13	UNI 1751	10
244	Pin [4]	EN 1.4301(AISI 304)	4x12		1

[1] Only for 65-250/376, 80-200/376, 80-250/456 and 80-250/556

[2] Quantity =2 for only 80-250/556

[3] Quantity =2 for 80-200/306, 80-200/376, 80-250/456

Quantity =1 for 80-250/556

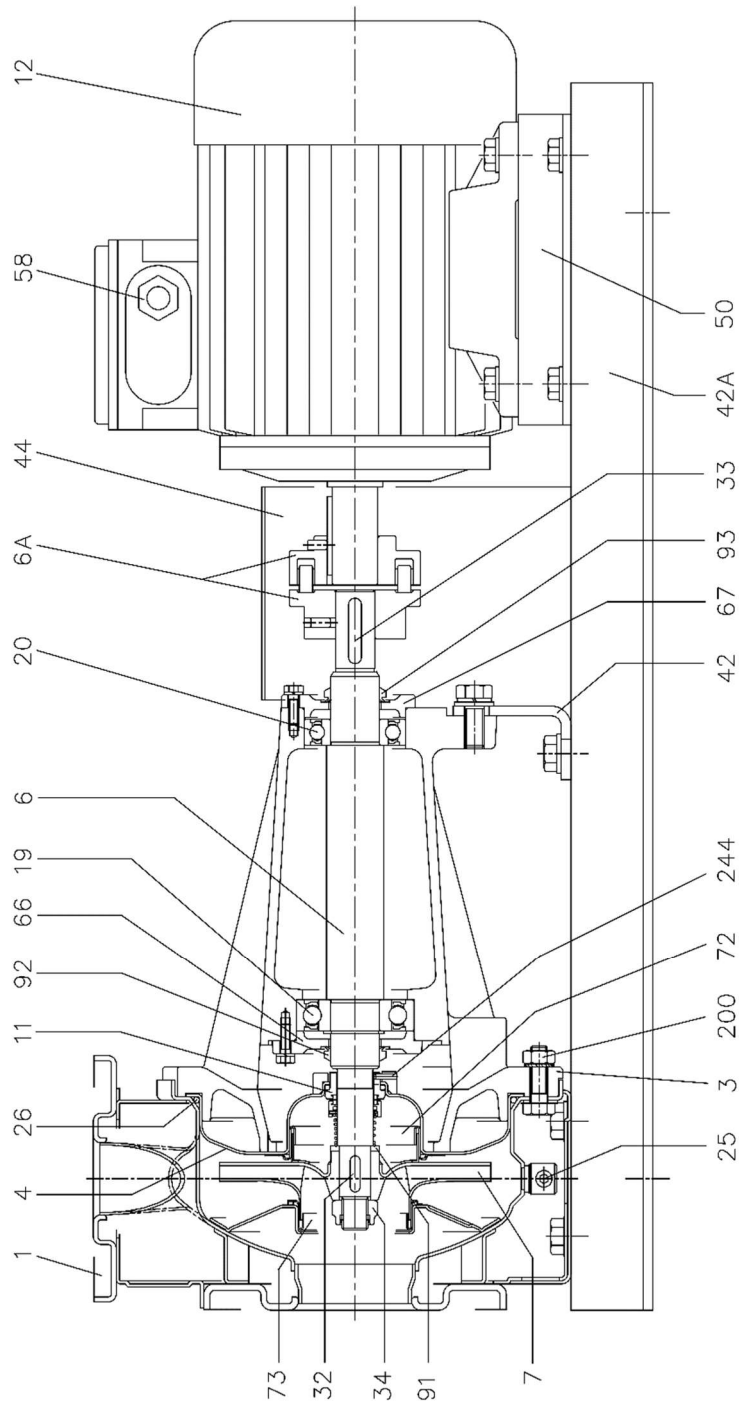
[4] Not for H, HW, HSW, E version

[5] See **MECHANICAL SEAL**, "O-ring" column, pages from 319 to 323

[6] See **MECHANICAL SEAL**, pages from 319 to 323

[7] See **COUPLING**, page 324

SECTIONAL VIEW DRAWING 3(.)P 32, 40, 50, 65-125/160/200



SECTIONAL VIEW TABLE 3(.).P 32, 40, 50, 65-125/160/200

N°	PART NAME	MATERIAL		DIMENSIONS	STANDARD	Q.TY	
		3P	3LP				
1	Casing	EN 1.4301 (AISI 304)	EN 1.4404 (AISI 316L)			1	
3	Support	Cast iron EN-GJL-200-EN 1561				1	
4	Casing cover	EN 1.4301 (AISI 304)	EN 1.4404 (AISI 316L)			1	
6	Shaft - Part in contact with liquid	EN 1.4301 (AISI 304)	EN 1.4404 (AISI 316L)			1	
6A	Flexible coupling [7]	Cast iron EN-GJL-250-EN 1561				1	
7	Impeller	EN 1.4301 (AISI 304)	EN 1.4404 (AISI 316L)			1	
		CF8M - EN 1.4408 (AISI 316)					
11	Mechanical seal [5]	-	-			1	
12	Motor	-	-			1	
19	Bearing	-	-			1	
20	Bearing [8]	-	-			1	
25	Draing plug	EN 1.4401 (AISI 316) / PTFE		R 1/8" L=8	DIN 906	1	
26	O-ring [4]	32-125, 40-125	NBR/FPM/EPDM	FPM/EPDM	158.11x5.34	OR 6625	1
		32-160, 40-160, 50-125, 65-125			183.52x5.34	OR 6720	
		32-200, 40-200, 50-160, 65-160, 65-200			227.96x5.34	OR 6895	
32	Key	Up to 11 kW 15 kW and above	EN 1.4401 (AISI 316)		6x6x25 8x7x30	UNI 6604	1
33	Key		C 40		8x7x40	UNI 6604	1
34	Impeller nut	Up to 11kW 15 kW and above	EN 1.4301 (AISI 304)	EN 1.4404 (AISI 316L)	M16x1.5 M20x1.5	UNI 7474	1
42	Pump support	Fe 37 Zincate			EBARA DRAWING	1	
42A	Base	Fe 37 Zincate				1	
44	Protection	Fe 37 Zincate				1	
50	Foot	Aluminium / Zincate steel				1	
58	Fasting nut	-				1	
66	Impeller side bearing cover	Cast iron EN-GJL-200-EN 1561				1	
67	Motor side bearing cover	Cast iron EN-GJL-200-EN 1561				1	
72	Casing ring [1]	EN 1.4301 (AISI 304)	EN 1.4404 (AISI 316L)			1	
73	Casing ring (not for 65 version)	EN 1.4301 (AISI 304)	EN 1.4404 (AISI 316L)			1	
91	Impeller spacer [9]	EN 1.4404 (AISI 316L)				1	
92	V-ring	-		VS - 0030		1	
93	V-ring	-		VS - 0030		1	
200	Screw	32-125, 40-125	Stainless steel A2 70 class ISO 3506/1		M 8x30	UNI 5739	8
		32-160, 32-200, 40-160, 40-200, 50-125, 50-160, 65-125, 65-160, 65-200			M 10x35	UNI 5739	
235	Washer	32-125, 40-125	EN 1.4301 (AISI 304)		M 8,4x17	UNI 6592	8
		32-160, 32-200, 40-160, 40-200, 50-125, 50-160, 65-125, 65-200, 65-160			M 10,5x21		
244	Pin [3]	/	EN 1.4301 (AISI 304)	4x15		1	

[1] For version: 32-200/5.56, 40-200/9.26,

[2] Quantity =10 for 32-160, 40-160, 50-125, 65-125

Quantity =12 for 32-200, 40-200, 50-160, 65-160, 65-200

[3] Only for 65-160/156 and 65-200

[4] See **MECHANICAL SEAL**, "O-ring" column, pages from 319 to 323

[5] See **MECHANICAL SEAL**, pages from 319 to 323

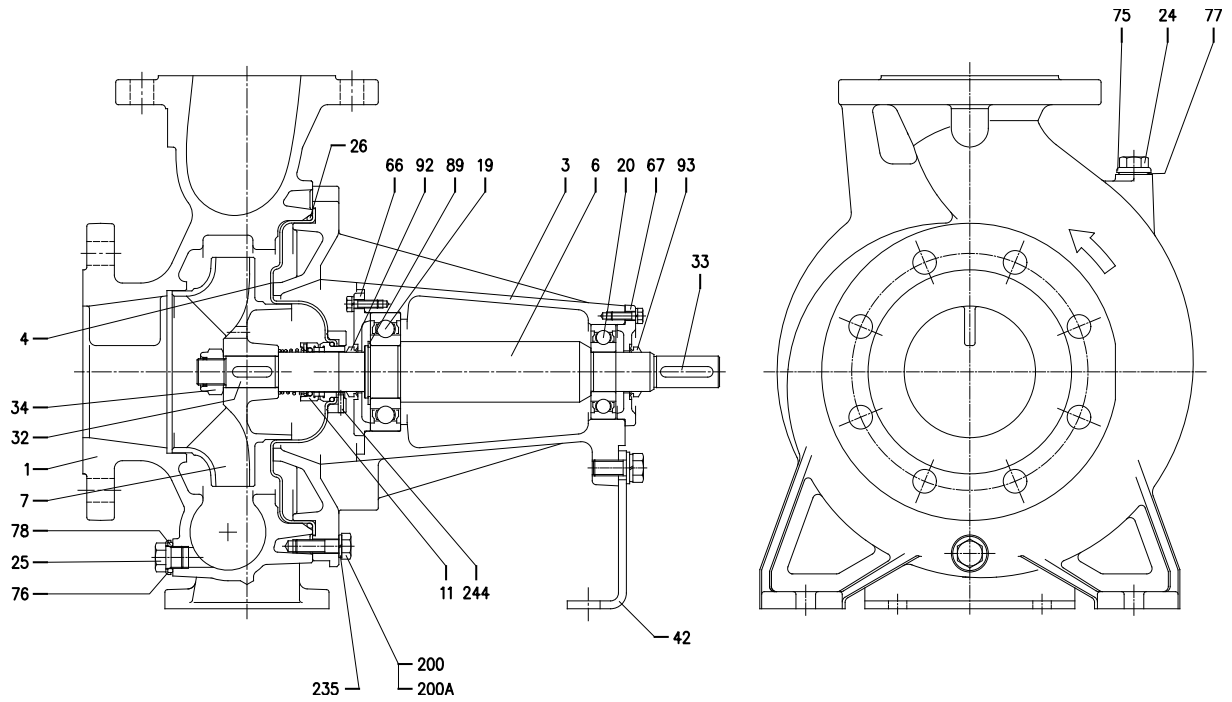
[6] Only for 65-125/160/200

[7] See **FLEXIBLE COUPLING**, page 325

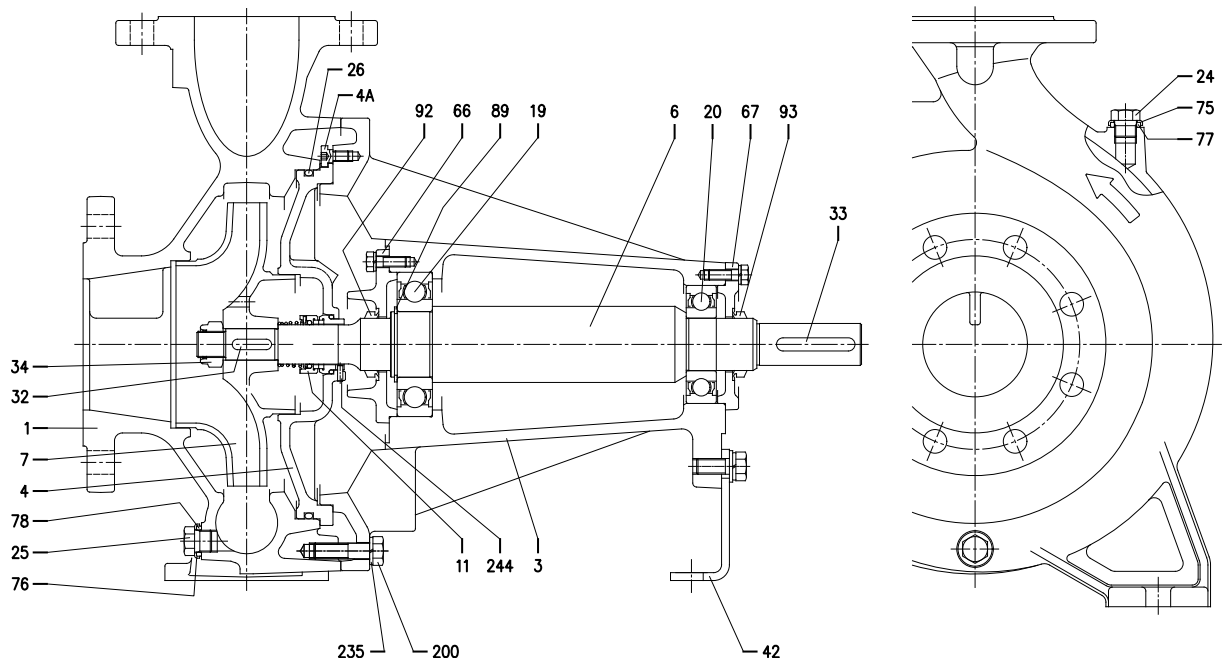
[8] See **BEARINGS**, page 318

[9] Only for 32-125/2.26

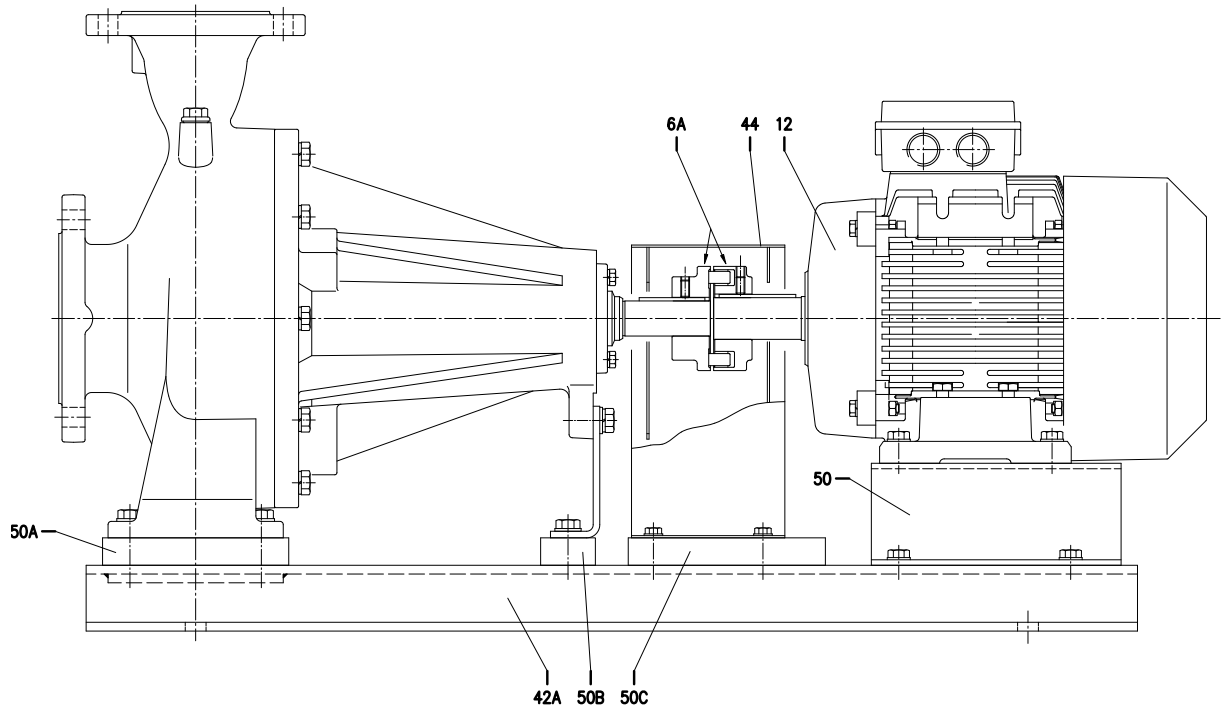
SECTIONAL VIEW DRAWING 3LP 80-160



SECTIONAL VIEW DRAWING 3LP 65-250, 80-200/250



SECTIONAL VIEW DRAWING 3LP 65-250, 80-160/200/250



SECTIONAL VIEW TABLE 3LP 80-160

N°	PART NAME	MATERIAL	DIMENSIONS	STANDARD	Q.TY
1	Casing	CF8M - EN 1.4408 (AISI 316)			1
3	Support	Cast iron EN-GJL-200-EN 1561			1
4	Casing cover	EN 1.4404 (AISI 316L)			1
6	Shaft	EN 1.4404 (AISI 316L) - Wet extension			1
6A	Flexible coupling [4]	Cast iron EN-GJL-250-EN 1561			1
7	Impeller	CF8M - EN 1.4408 (AISI 316)			1
11	Mechanical seal [3]	-			1
12	Motor	-			1
19	Bearing	-			1
20	Bearing [5]	-			1
24	Plug	EN 1.4404 (AISI 316L)	G3/8	EPE DRAWING	1
25	Plug	EN 1.4404 (AISI 316L)	G3/8	EPE DRAWING	1
26	O-ring [2]	FPM/EPDM	227.96x5.34	OR 6895	1
32	Key	EN 1.4401 (AISI 316)	8x7x30	UNI 6604	1
33	Key	C 40	8x7x40		1
34	Impeller nut	EN 1.4404 (AISI 316L)	M20x1.5	UNI 7474	1
42	Pump support	Zincate steel		EPE DRAWING	1
42A	Base	Zincate steel		EPE DRAWING	1
44	Protection	Zincate steel		EPE DRAWING	1
50	Foot	Aluminium		EPE DRAWING	2
50A	Spacer for pump	/			/
50B	Spacer for pump	/			/
50C	Spacer for protection	/			/
66	Impeller side bearing cover	Cast iron EN-GJL-200-EN 1561			1
67	Motor side bearing cover	Cast iron EN-GJL-200-EN 1561			1
75	Washer (plug)	EN 1.4404 (AISI 316L)			1
76	Washer (plug)				1
77	O-ring (plug)				1
78	O-ring (plug) [2]	FPM/EPDM			1
89	Snap ring	Carbon tool steels TC 80	Ø 40	UNI 7435	1
92	V-ring	-	VS-0030		1
93	V-ring				1
200	Screw	Stainless steel A2 70 class ISO 3506/1	M 10x35	UNI 5739	10
200A	Screw		M 10x30		2
235	Washer	EN 1.4301(AISI 304)	10.5	UNI 8842	12
244	Pin [1]	EN 1.4301(AISI 304)	4x15	UNI 6873	1

[1] Not for H, HW, HSW, E version.

[2] See **MECHANICAL SEAL**, "O-ring" column, pages from 319 to 323

[3] See **MECHANICAL SEAL**, pages from 319 to 323

[4] See **FLEXIBLE COUPLING**, page 325

[5] See **BEARINGS**, page 318

SECTIONAL VIEW TABLE 3LP 65-250, 80-200/250

N°	PART NAME	MATERIAL	DIMENSIONS	STANDARD	Q.TY
1	Casing	CF8M - EN 1.4408 (AISI 316))			1
3	Support	Cast iron EN-GJL-200-EN 1561			1
4	Casing cover	EN 1.4401 (AISI 316)			1
4A	Screw for casing cover	EN 1.4301 (AISI 304)			2
6	Shaft	EN 1.4462 (Duplex stainless steel) - Wet extension			1
6A	Flexible coupling [6]	Cast iron EN-GJL-250-EN 1561			1
7	Impeller	CF8M - EN 1.4408 (AISI 316)			1
11	Mechanical seal [5]	-			1
12	Motor	-			1
19	Bearing [7]	-			1
20	Bearing	-			1
24	Plug	EN 1.4404 (AISI 316L)	G3/8		1
25	Plug	EN 1.4404 (AISI 316L)	G3/8		1
26	O-ring [4]	FPM/EPDM	253.36x5.34	OR 6995	1
32	Key 65-250 80-200 d=24 mm 80-250 d=29 mm	EN 1.4401 (AISI 316)	8x7x30	UNI 6604	1
			8x7x40		1
			10x8x60		1
33	Key	C 40		UNI 6604	1
34	Impeller nut 65-250 80-200 d=24 mm 80-250 d=29 mm	EN 1.4404 (AISI 316L)	M20x1.5	UNI 7474	1
					1
			M24x2		1
42	Pump support	Zincate steel			1
42A	Base	Zincate steel			1
44	Protection	Zincate steel			1
50	Foot	Aluminium			0
50A	Spacer	Aluminium			[1]
50B	Spacer	Aluminium			[2]
50C	Spacer for protection	Aluminium			[3]
66	Impeller side bearing cover	Cast iron EN-GJL-200-EN 1561			1
67	Motor side bearing cover	Cast iron EN-GJL-200-EN 1561			1
75	Washer (plug)	EN 1.4404 (AISI 316L)			1
76	Washer (plug)				1
77	O-ring (plug)				1
78	O-ring (plug) [4]		FPM/EPDM		
89	Snap ring	Carbon tool steels TC 80	Ø 50	UNI 7435	1
92	V-ring	-	VS-0040		1
93	V-ring				
200	Screw	Stainless steel A2 70 class ISO 3506/1	M 12x45	UNI 5739	10
235	Washer	EN 1.4301 (AISI 304)	13	UNI 8842	10
244	Pin [3]	EN 1.4301 (AISI 304)	4x12	UNI 6873	1

[1] Quantity =0 for 65-250, 80-200/226 and 80-250/556 Quantity =2 for 80-200/306, 80-200/376 and 80-250/456

[2] Quantity =0 for 65-250, 80-200/226 and 80-250/556 Quantity =2 for 80-200/306, 80-200/376 and 80-250/456

[3] Not for H, HW, HSW, E version.

[4] See **MECHANICAL SEAL**, "O-ring" column, pages from 319 to 323

[5] See **MECHANICAL SEAL**, pages from 319 to 323

[6] See **FLEXIBLE COUPLING**, page 325

[7] See **BEARINGS**, page 318

BEARINGS 3(.)M

Pump type	Ball Bearing			
	Pump side		Fan side	
		(*)		(*)
3(.)M 32-125/2.26	6205-2RSH	6205-ZZ C3	6205-2RSH	6205-ZZ C3
3(.)M 32-160/3.06				
3(.)M 32-160/4.06	6206-2RSH	6206-ZZ C3		
3(.)M 32-200/5.56	6306-2RS1	6306-ZZ C3	6206-2RS1	6206-ZZ C3
3(.)M 32-200/7.56				
3(.)M 40-125/3.06	6205-2RSH	6205-ZZ C3	6205-2RSH	6205-ZZ C3
3(.)M 40-125/4.06	6206-2RS1	6206-ZZ C3		
3(.)M 40-160/5.56	6306-2RS1	6306-ZZ C3	6206-2RS1	6206-ZZ C3
3(.)M 40-160/7.56				
3(.)M 40-200/9.26	6308-ZZ	6308-ZZ C3	6208-ZZ	6208-ZZ C3
3(.)M 40-200/156	6309-ZZ	6309-ZZ C3	6309-ZZ	6309-ZZ C3
3(.)M 50-125/5.56	6306-2RS1	6306-ZZ C3	6206-2RS1	6206-ZZ C3
3(.)M 50-125/7.56				
3(.)M 50-160/116	6308-ZZ	6308-ZZ C3	6208-ZZ	6208-ZZ C3
3(.)M 50-160/156	6309-ZZ	6309-ZZ C3	6309-ZZ	6309-ZZ C3
3(.)M 65-125/5.56	6306-2RS1	6306-ZZ C3	6206-2RS1	6206-ZZ C3
3(.)M 65-125/7.56				
3(.)M 65-160/9.26	6308-ZZ	6308-ZZ C3	6208-ZZ	6208-ZZ C3
3(.)M 65-160/116				
3(.)M 65-160/156	6309-ZZ	6309-ZZ C3	6309-ZZ	6309-ZZ C3
3(.)M 65-200/156				
3(.)M 65-200/18.56				
3(.)M 65-200/226				
3LM 80-160/18.5	6309-ZZ	6309-ZZ C3	6309-ZZ	6309-ZZ C3
3LM 80-160/226				

(*) Only for IE3 Motors

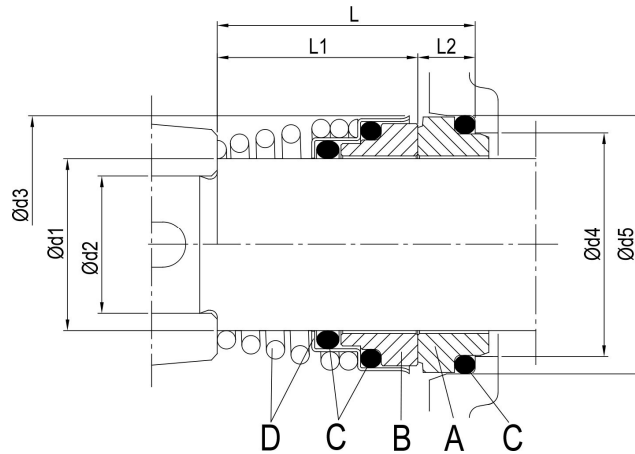
BEARINGS 3(.)S-3(.)P

Pump type	Ball bearing	
	Pump side	Fan side
3(.)S 32-125/2.26	6205-2Z C3	6205-2Z C3
3(.)S 32-160/3.06	6206-2Z C3	6206-2Z C3
3(.)S 32-160/4.06	6306-2Z C3	6306-2Z C3
3(.)S 32-200/5.56	6208-2Z C3	6208-2Z C3
3(.)S 32-200/7.56		
3(.)S 40-125/3.06	6206-2Z C3	6206-2Z C3
3(.)S 40-125/4.06	6306-2Z C3	6306-2Z C3
3(.)S 40-160/5.56	6208-2Z C3	6208-2Z C3
3(.)S 40-160/7.56		
3(.)S 40-200/116	6309-2Z C3	6309-2Z C3
3(.)S 40-200/156		
3(.)S 50-125/5.56	6208-2Z C3	6208-2Z C3
3(.)S 50-125/7.56		
3(.)S 50-160/116	6309-2Z C3	6309-2Z C3
3(.)S 50-160/156		
3(.)S 65-125/5.56	6208-2Z C3	6208-2Z C3
3(.)S 65-125/7.56		
3(.)S 65-160/9.26	6309-2Z C3	6309-2Z C3
3(.)S 65-160/116		
3(.)S 65-160/156		
3(.)S 65-200/156		
3(.)S 65-200/18.56	6311 C3	6311 C3
3(.)S 65-200/226		
3LS 65-250/306	6312 C3	6312 C3
3LS 65-250/376		
3LS 80-160/18.56	6309-2Z C3	6309-2Z C3
3LS 80-160/226	6311 C3	6311 C3
3LS 80-200/226		
3LS 80-200/306	6312 C3	6312 C3
3LS 80-200/376		
3LS 80-250/456	6313 C3	6313 C3
3LS 80-250/556 [1]	6314 C3	6314 C3

Pump type	Ball bearing			
	Pump		Motor	
	Pump side	Motor side	Pump side	Fan side
3(.)P 32-125/2.26	6306-2RS1 C3	6206-2RS1 C3	6205-2Z C3	6205-2Z C3
3(.)P 32-160/3.06			6206-2Z C3	6206-2Z C3
3(.)P 32-160/4.06			6306-2Z C3	6306-2Z C3
3(.)P 32-200/5.56	6308-2RS1 C3	6306-2RS1 C3	6208-2Z C3	6208-2Z C3
3(.)P 32-200/7.56				
3(.)P 40-125/3.06	6306-2RS1 C3	6206-2RS1 C3	6206-2Z C3	6206-2Z C3
3(.)P 40-125/4.06			6306-2Z C3	6306-2Z C3
3(.)P 40-160/5.56			6208-2Z C3	6208-2Z C3
3(.)P 40-160/7.56				
3(.)P 40-200/116	6308-2RS1 C3	6306-2RS1 C3	6309-2Z C3	6309-2Z C3
3(.)P 40-200/156				
3(.)P 50-125/5.56	6306-2RS1 C3	6206-2RS1 C3	6208-2Z C3	6208-2Z C3
3(.)P 50-125/7.56				
3(.)P 50-160/116	6308-2RS1 C3	6306-2RS1 C3	6309-2Z C3	6309-2Z C3
3(.)P 50-160/156				
3(.)P 65-125/5.56	6306-2RS1 C3	6206-2RS1 C3	6208-2Z C3	6208-2Z C3
3(.)P 65-125/7.56				
3(.)P 65-160/9.26	6308-2RS1 C3	6306-2RS1 C3	6309-2Z C3	6309-2Z C3
3(.)P 65-160/116				
3(.)P 65-160/156				
3(.)P 65-200/156				
3(.)P 65-200/18.56	6311 C3	6311 C3		
3(.)P 65-200/226				
3LP 65-250/306	6310-2RS1 C3	6308-2RS1 C3	6312 C3	6312 C3
3LP 65-250/376				
3LP 80-160/18.56	6308-2RS1 C3	6306-2RS1 C3	6309-2Z C3	6309-2Z C3
3LP 80-160/226				
3LP 80-200/226	6310-2RS1 C3	6308-2RS1 C3	6311 C3	6311 C3
3LP 80-200/306				
3LP 80-200/376				
3LP 80-250/456				
3LP 80-250/556 [1]	6314 C3	6314 C3		

[1] Motor available with lubricator for regular re-greasing of bearing.

MECHANICAL SEAL

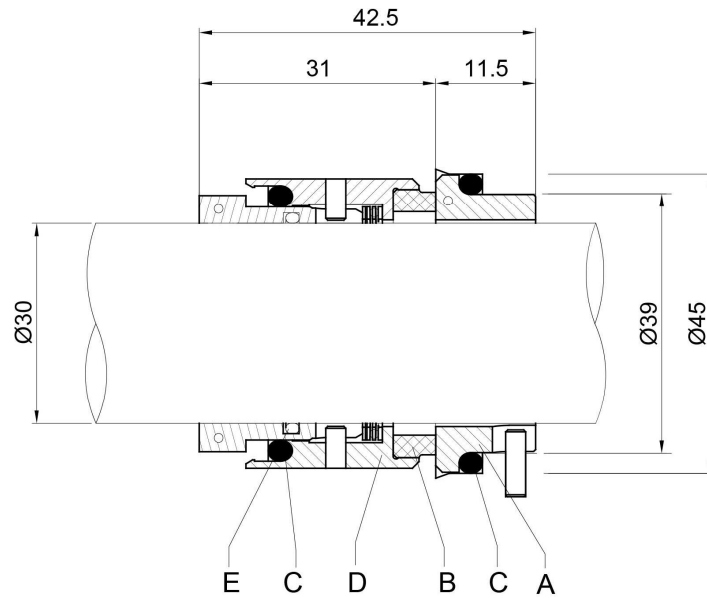


Pump type	Dimensions (mm)								Material				
	d1	d2	d3	d4	d5	L	L1	L2	A Stationary seal ring	B Rotary seal ring	C O-ring	D Frame + spring	
STANDARD	32-125/160/200	22	19	38	31	37	37.5	27.5	10	Carbon	Ceramic	NBR	EN 1.4301 (AISI 304)
	40-125/160/200												
	50-125/160												
	65-125												
	65-160/7.56-9.26-116												
65-160/156	30	24	46	39	45	42.5	32.5	10				EN 1.4401 (AISI 316)	
65-200													

Version	Pump type	Dimensions (mm)								Material			
		d1	d2	d3	d4	d5	L	L1	L2	A Stationary seal ring	B Rotary seal ring	C O-ring	D Frame + spring
OPTIONAL	32-125/160/200	22	19	38	31	37	37.5	27.5	10	Carbon	Ceramic	FPM	EN 1.4401 (AISI 316)
	40-125/160/200												
	50-125/160												
	65-125												
	65-160/7.56-9.26-116												
65-160/156	30	24	46	39	45	42.5	32.5	10				EN 1.4401 (AISI 316)	
65-200													
80-250	35	29	50	44	50	42.5	32.5	10					
32-125/160/200	22	19	38	31	37	37.5	27.5	10			EPDM		EN 1.4301 (AISI 304)
40-125/160/200													
50-125/160													
65-125													
65-160/7.56-9.26-116													
65-160/156	30	24	46	39	45	42.5	32.5	10					
65-200													
80-160/200													

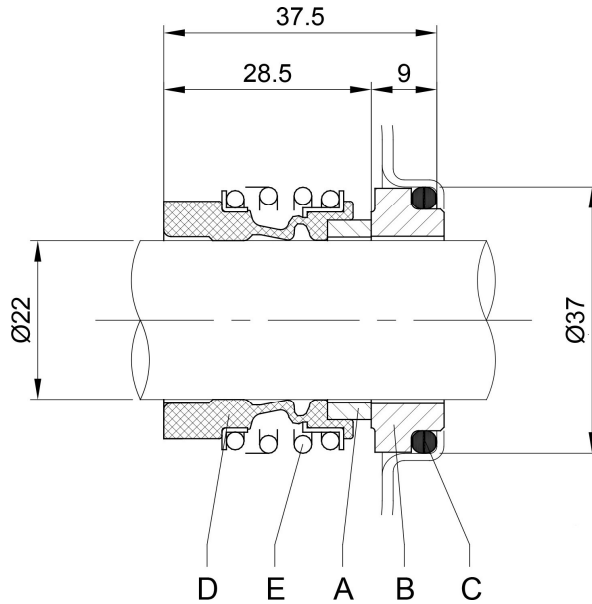
Version	Pump type	Dimensions (mm)								Material			
		d1	d2	d3	d4	d5	L	L1	L2	A Stationary seal ring	B Rotary seal ring	C O-ring	D Frame + spring
SPECIAL	65-160/156									Tungsten carbide	Tungsten carbide	EPDM	EN 1.4401 (AISI 316)
	65-200												
	65-250												
80-160/200													
65-160/156	30	24	46	39	45	42.5	32.5	10	Carbon	SIC	EPDM	EN 1.4401 (AISI 316)	
65-200													
65-250													
80-160/200													
65-160/156									Carbon	SIC	EPDM	EN 1.4401 (AISI 316)	
65-200													
65-250													
80-160/200													
65-160/156	22	19	38	31	37	37.5	27.5	10					
65-200													
65-250													
80-160/200													
32-125/160/200													
40-125/160/200													
50-125/160													
65-125													
65-160/7.56-9.26-116													

MECHANICAL SEAL



Version	Pump type	Material				
		A Stationary seal ring	B Rotary seal ring	C O-ring	D Bellows	E Frame + spring
OPTIONAL HSW	65-160/156 65-200 65-250 80-160/200	SiC	Carbon	FPM	FPM	EN 1.4401 (AISI 316)

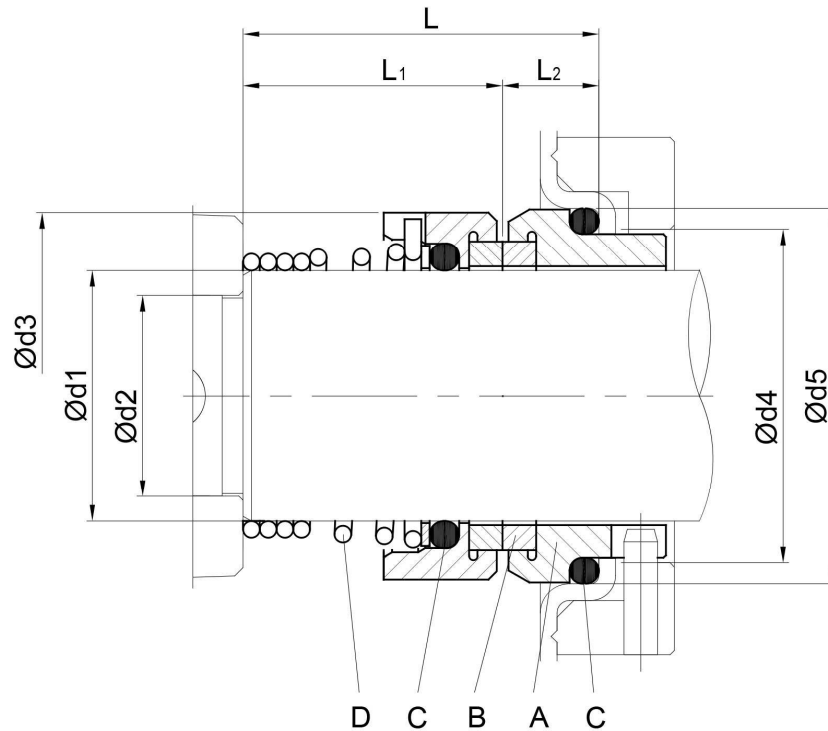
MECHANICAL SEAL



OPTIONAL

Version	Pump type	A Rotary seal ring	B Stationary seal ring	Material		
				C O-ring	D Bellows	E Frame + spring
HS	32-125/160/200	SiC	SiC	FPM	FPM	EN 1.4401 (AISI 316)
	40-125/160/200					
	50-125/160					
	65-125					
	65-160/7,56-9,26-116					
HW	32-125/160/200	Tungsten carbide	Tungsten carbide	FPM	FPM	EN 1.4401 (AISI 316)
	40-125/160/200					
	50-125/160					
	65-125					
	65-160/7,56-9,26-116					

MECHANICAL SEAL

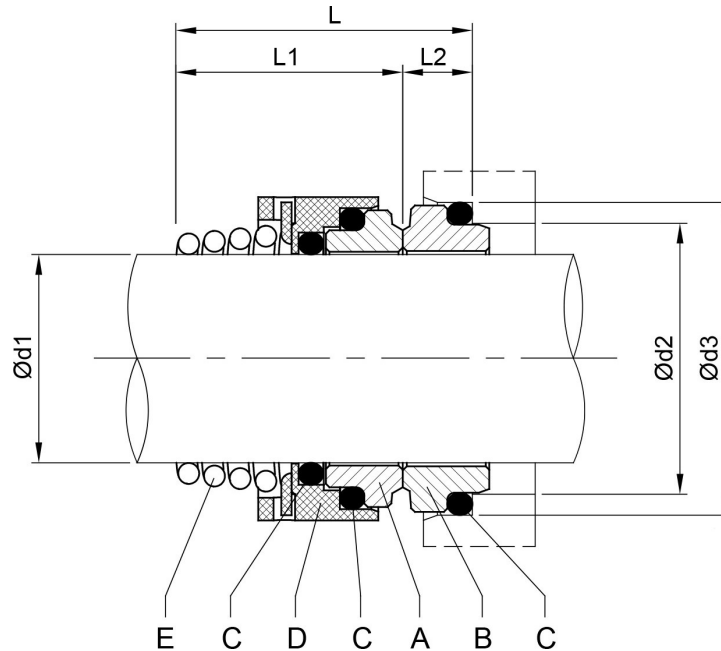


Version	Pump type	Dimensions [mm]							Material														
		d1	d2	d3	d4	d5	L	L1	L2	A Stationary seal ring	B Rotary seal ring	C O-ring	D Frame + spring										
STANDARD	L	32-125/160/200	40-125/160/200	50-125/160	65-125	65-160/7,56-9,26-116	65-160/156	65-200	65-250	80-160/200	80-250	22	19	36	31	37	37.5	27.5	9.5	SiC	SiC	FPM	EN 1.4401 (AISI 316)

Version	Pump type	Dimensions [mm]							Material						
		d1	d2	d3	d4	d5	L	L1	L2	A Stationary seal ring	B Rotary seal ring	C O-ring	D Frame + spring		
OPTIONAL	HS	65-160/15	65-200	30	24	43	39	45	42.5	31	11	SiC	SiC	FPM	EN 1.4401 (AISI 316)
		ES (Q1BEGG)	80-250	35	29	49	44	50	42.5	31	11.5	Carbon	SiC	EPDM	EN 1.4401 (AISI 316)

Version	Pump type	Dimensions [mm]							Material									
		d1	d2	d3	d4	d5	L	L1	L2	A Stationary seal ring	B Rotary seal ring	C O-ring	D Frame + spring					
SPECIAL	Q1Q1EGG	32-125/160/200	40-125/160/200	50-125/160	65-125	65-160/7,56-9,26-116	22	19	36	31	37	37.5	27.5	9.5	SiC	SiC	EPDM	EN 1.4401 (AISI 316)

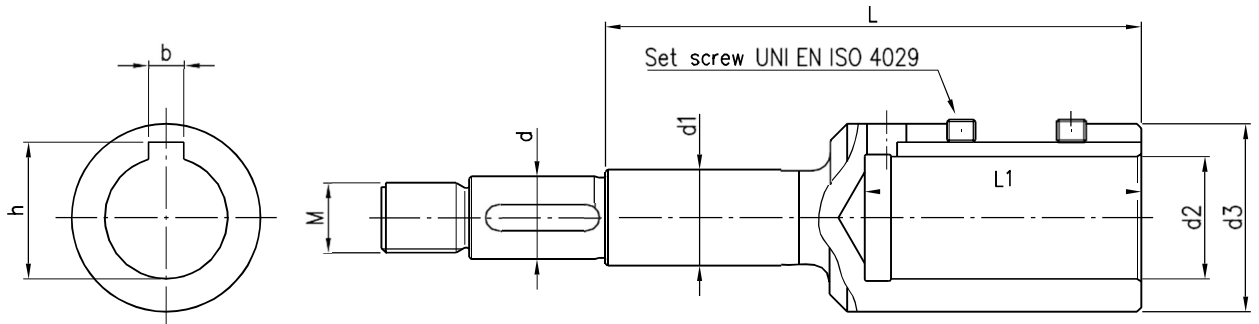
MECHANICAL SEAL



Version	Pump type	Dimensions [mm]						Material				
		d1	d2	d3	L	L1	L2	A Rotary seal ring	B Stationary seal ring	C O-ring	D Bellows	E Frame + spring
OPTIONAL HW	65-160/156	30	39	45	42.5	32.5	10	Tungsten carbide	Tungsten carbide	FPM	FPM	EN 1.4401 (AISI 316)
	65-200											
	65-250											
	80-160/200											
	80-250											
OPTIONAL HSW	32-125/160/200	22	31	37	37.5	27.5	10	SiC	Tungsten carbide	FPM	FPM	EN 1.4401 (AISI 316)
	40-125/160/200											
	50-125/160											
	65-125											
	65-160/7,56-9,26-116											
80-250	35	44	50	42.5	32.5	10						

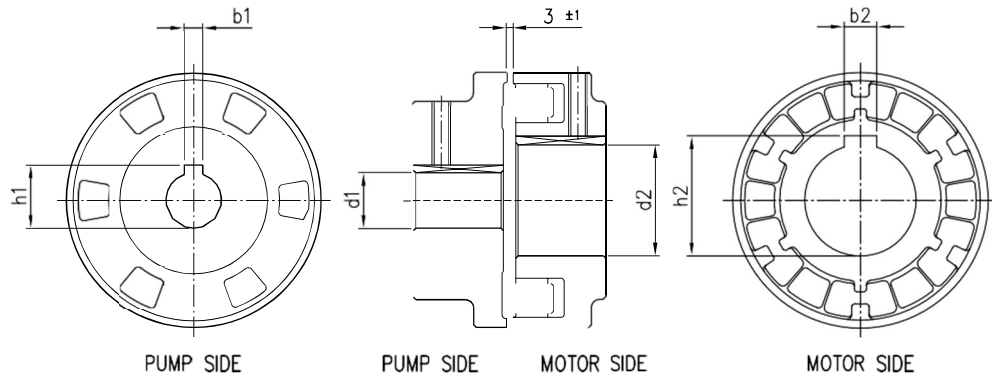
Version	Pump type	Dimensions [mm]						Material					
		d1	d2	d3	L	L1	L2	A Rotary seal ring	B Stationary seal ring	C O-ring	D Bellows	E Frame + spring	
SPECIAL	32-125/160/200	22	31	37	37.5	27.5	10	Tungsten carbide	Tungsten carbide	EPDM	EPDM	EN 1.4401 (AISI 316)	
	40-125/160/200												
	50-125/160												
	65-125								Carbon				
	65-160/7,56-9,26-116												
	65-160/7,56-9,26-116												
	32-125/160/200								SiC				Tungsten carbide
	40-125/160/200												
	50-125/160												
65-125													
65-160/7,56-9,26-116													

COUPLING 3(.)S



Pump type	Power		Motor Size	Dimensions mm										
	[kW]	[HP]		d	d1	d2	d3	M	L	L1	b	h	Set screw	
32-125/2.26	2.2	3	90	19	22	24	39	M16x1.5	110	53	8	27.3	M8x8	
32-160/3.06	3	4	100	19	22	28	43	M16x1.5	122	63	8	31.3	M8x8	
32-160/4.06	4	5.5	112	19	22	28	43	M16x1.5	122	63	8	31.3	M8x8	
32-200/5.56	5.5	7.5	132	19	22	38	58	M16x1.5	145	84	10	41.3	M8x8	
32-200/7.56	7.5	10	132	19	22	38	58	M16x1.5	145	84	10	41.3	M8x8	
40-125/3.06	3	4	100	19	22	28	43	M16x1.5	122	63	8	31.3	M8x8	
40-125/4.06	4	5.5	112	19	22	28	43	M16x1.5	122	63	8	31.3	M8x8	
40-160/5.56	5.5	7.5	132	19	22	38	58	M16x1.5	145	84	10	41.3	M8x8	
40-160/7.56	7.5	10	132	19	22	38	58	M16x1.5	145	84	10	41.3	M8x8	
40-200/116	9.2	12.5	160	19	22	42	63	M16x1.5	178	114	12	45.3	M8x8	
40-200/156	15	20	160	19	22	42	63	M16x1.5	178	114	12	45.3	M8x8	
50-125/5.56	5.5	7.5	132	19	22	38	58	M16x1.5	145	84	10	41.3	M8x8	
50-125/7.56	7.5	10	132	19	22	38	58	M16x1.5	145	84	10	41.3	M8x8	
50-160/9.26	9.2	12.5	160	19	22	42	63	M16x1.5	178	114	12	45.3	M8x8	
50-160/156	15	20	160	19	22	42	63	M16x1.5	178	114	12	45.3	M8x8	
65-125/5.56	5.5	7.5	132	19	22	38	58	M16x1.5	145	84	10	41.3	M8x8	
65-125/7.56	7.5	10	132	19	22	38	58	M16x1.5	145	84	10	41.3	M8x8	
65-160/9.26	9.2	12.5	132	19	22	38	58	M16x1.5	145	84	10	41.3	M8x8	
65-160/116	11	15	160	19	22	42	63	M16x1.5	178	114	12	45.3	M8x8	
65-160/156	15	20	160	24	30	42	63	M20x1.5	184	114	12	45.3	M8x8	
65-200/156	15	20	160	24	30	42	63	M20x1.5	184	114	12	45.3	M8x8	
65-200/18.56	18.5	25	160	24	30	42	63	M20x1.5	184	114	12	45.3	M8x8	
65-200/226	22	30	180	24	30	48	72	M20x1.5	184	114	14	51.8	M10x10	
65-250/306	30	40	200	24	30	55	85	M20x1.5	184	114	16	59.3	M12x12	
65-250/376	37	50	200	24	30	55	85	M20x1.5	184	114	16	59.3	M12x12	
80-160/18.56	18.5	25	160	24	30	42	63	M20x1.5	184	114	12	45.3	M8x8	
80-160/226	22	30	180	24	30	48	72	M20x1.5	184	114	14	51.8	M10x10	
80-200/226	22	30	180	24	30	48	72	M20x1.5	184	114	14	51.8	M10x10	
80-200/306	30	40	200	24	30	55	85	M20x1.5	184	114	16	59.3	M12x12	
80-200/376	37	50	200	24	30	55	85	M20x1.5	184	114	16	59.3	M12x12	
80-250/456	45	60	225	29	35	55	85	M24x2	206	114	16	59.3	M12x12	
80-250/556	55	75	250	29	35	60	89	M24x2	218	144	18	64.4	M12x12	

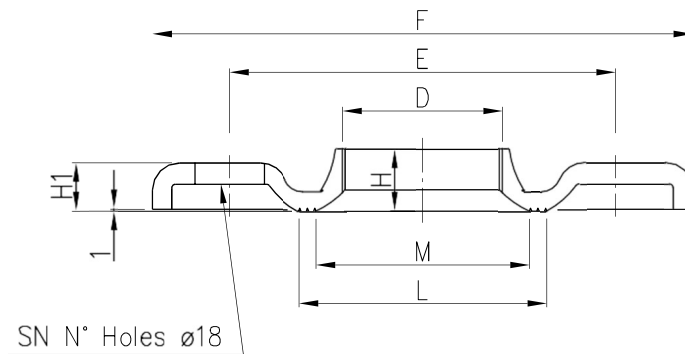
FLEXIBLE COUPLING 3(.)P



Pump type	Power		Motor Size	Dimensions [mm]					
	[KW]	[HP]		d1	b1	h1	d2	b2	h2
32-125/2.26	2.2	3	90	24	8	27.3	24	8	27.3
32-160/3.06	3	4	100	24	8	27.3	28	8	31.3
32-160/4.06	4	5.5	112	24	8	27.3	28	8	31.3
32-200/5.56	5.5	7.5	132	24	8	27.3	38	10	41.3
32-200/7.56	7.5	10	132	24	8	27.3	38	10	41.3
40-125/3.06	3	4	100	24	8	27.3	28	8	31.3
40-125/4.06	4	5.5	112	24	8	27.3	28	8	31.3
40-160/5.56	5.5	7.5	132	24	8	27.3	38	10	41.3
40-160/7.56	7.5	10	132	24	8	27.3	38	10	41.3
40-200/116	9.2	12.5	160	24	8	27.3	42	12	45.3
40-200/156	15	20	160	24	8	27.3	42	12	45.3
50-125/5.56	5.5	7.5	132	24	8	27.3	38	10	41.3
50-125/7.56	7.5	10	132	24	8	27.3	38	10	41.3
50-160/9.26	9.2	12.5	160	24	8	27.3	42	12	45.3
50-160/156	15	20	160	24	8	27.3	42	12	45.3
65-125/5.56	5.5	7.5	132	24	8	27.3	38	10	41.3
65-125/7.56	7.5	10	132	24	8	27.3	38	10	41.3
65-160/9.26	9.2	12.5	132	24	8	27.3	38	10	41.3
65-160/116	11	15	160	24	8	27.3	42	12	45.3
65-160/156	15	20	160	24	8	27.3	42	12	45.3
65-200/156	15	20	160	24	8	27.3	42	12	45.3
65-200/18.56	18.5	25	160	24	8	27.3	42	12	45.3
65-200/226	22	30	180	24	8	27.3	48	14	51.8
65-250/306	30	40	200	32	10	35.3	55	16	59.3
65-250/376	37	50	200	32	10	35.3	55	16	59.3
80-160/18.56	18.5	25	160	24	8	27.3	42	12	45.3
80-160/226	22	30	180	24	8	27.3	48	14	51.8
80-200/226	22	30	180	32	10	35.3	48	14	51.8
80-200/306	30	40	200	32	10	35.3	55	16	59.3
80-200/376	37	50	200	32	10	35.3	55	16	59.3
80-250/456	45	60	225	32	10	35.3	55	16	59.3
80-250/556	55	75	250	32	10	35.3	60	18	64.4

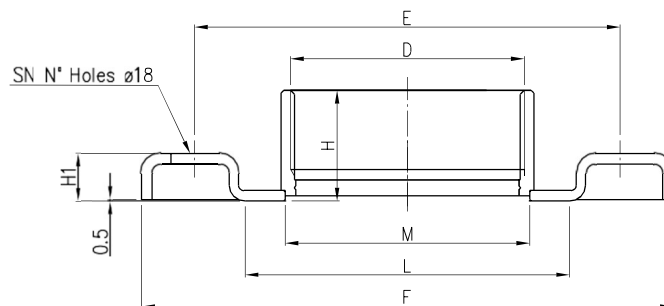
FITTINGS

COUNTERFLANGE ZINCKED STEEL



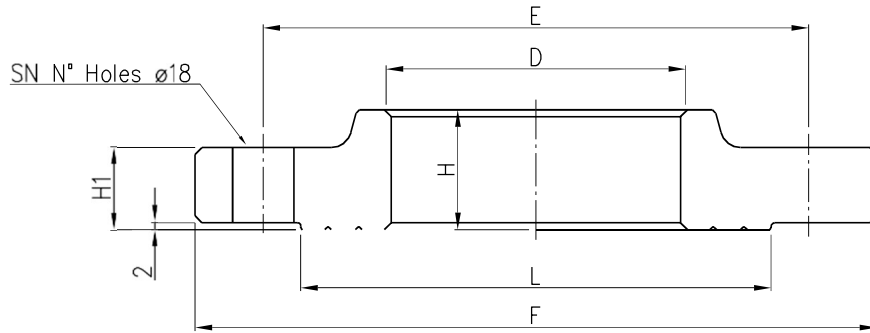
Counterflange									Screw	
DN	D	E	F	H	H1	L	M	SN	DIMENSIONS	MATERIAL
32	G 1 1/4	100	100	15	11.5	67	50	4	M16x55	Zn. Steel 8.8 streight class ISO 898-1
40	G 1 1/2	110	110	17.5	11.5	72	58	4		
50	G2	125	125	19	15	89	70	4		
65	G 2 1/2	145	185	23	14	104	88	4		
80	G3	160	200	24	16	117.5	100	8	M16x60	
100	G4	180	220	29	16	144	125	8		

COUNTERFLANGE EN 1.4404 (AISI 316L)



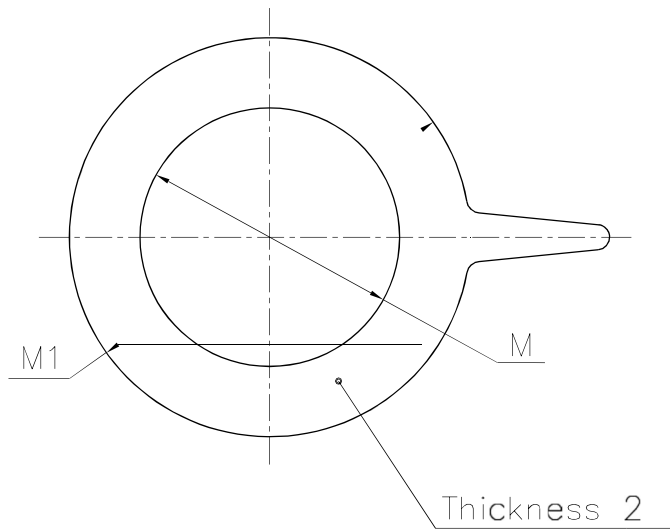
Counterflange									Screw	
DN	D	E	F	H	H1	L	M	SN	DIMENSIONS	MATERIAL
32	G 1 1/4	100	140	29.5	14	66	44	4	M16x55	A2 -70class ISO 3506-1
40	G 1 1/2	110	150	29.5	14	71	50.5			
50	G 2	125	165	34	16	83	63			
65	G 2 1/2	145	185	40	16	103	80			
80	G3	160	200	42	18	122	92	8	M16x60	

COUNTERFLANGE EN 1.4404 (AISI 316L) DN100



DN	D	Counterflange						Screw	
		E	F	H	H1	L	SN	DIMENSIONS	MATERIAL
100	G4	180	220	35	20	150	8	M16x70	A2-70 class ISO 3506-1

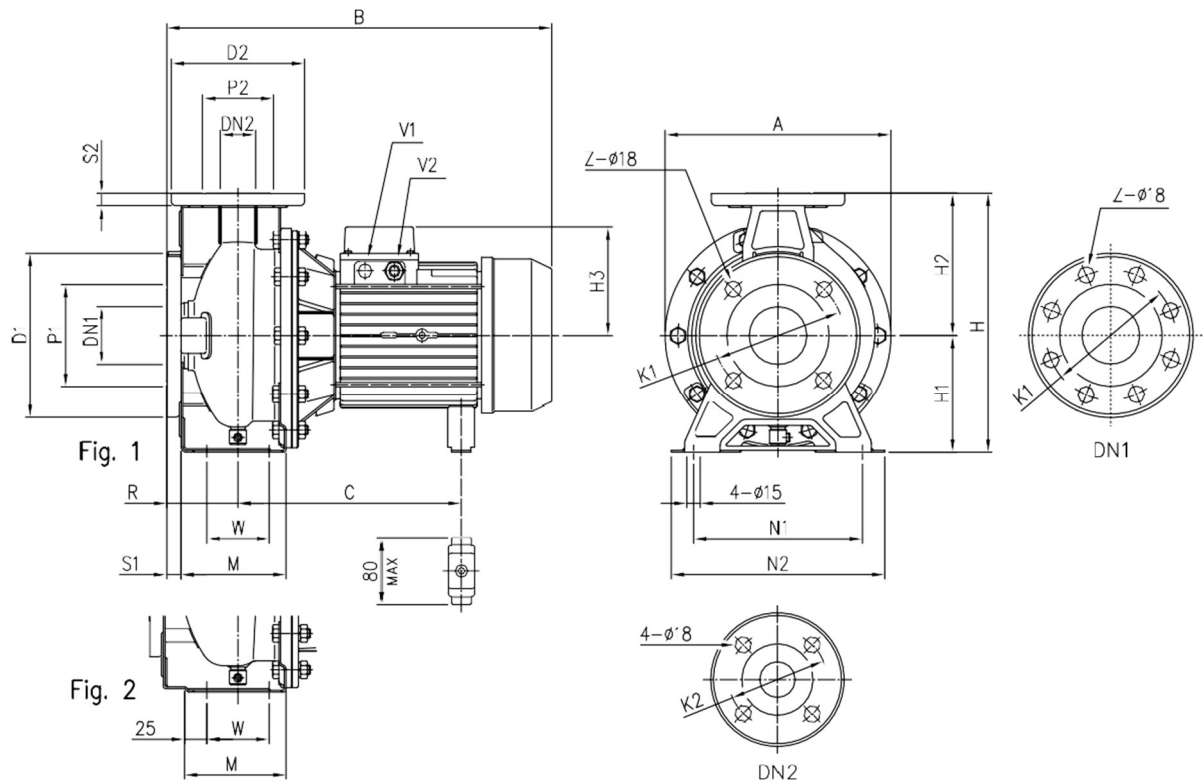
GASKET



DN	M	M1
32	38	82
40	50	93
50	60	107
65	80	125
80	90	140
100	115	160

Material : EPDM for standard version
FPM for L version

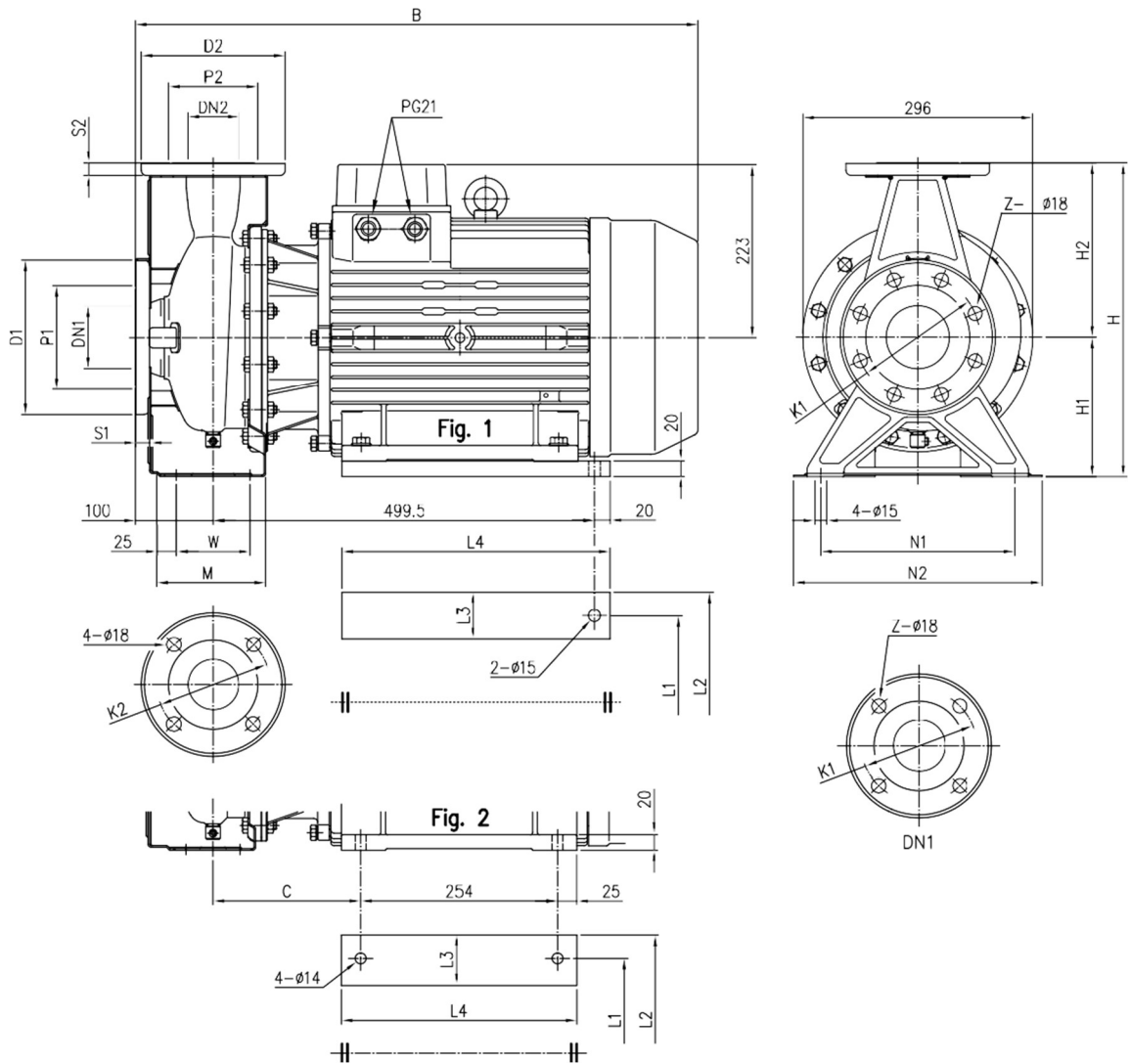
PUMP 3(.)M 32, 40-125/160/200, 50-125/160, 65-125/160



Pump type	Dimensions (mm)																				Weight [kg]												
	∅ DN1	∅ P1	∅ K1	∅ D1	S1	Z	[1]	[2]	∅ DN2	∅ P2	∅ K2	∅ D2	S2	Fig.	H	H1	H2	H3	(°)	R	W	M	N1	N2	A	B	(°)	C	(°)	V1	V2	(°)	(*)
32-125/2.26	50	95	125	165	16	4	-	32	75	100	140	14	1	252	112	140	124	119	80	70	114	140	190	213	432	431	244+255	232	-	PG 13.5	M20x1.5	23	24
32-160/3.06	50	95	125	165	16	4	-	32	75	100	140	14	1	292	132	160	124	119	80	70	118	190	240	254	471	471	244+255	244+255	-	PG 13.5	M20x1.5	26.2	26.2
32-160/4.06	50	95	125	165	16	4	-	32	75	100	140	14	1	292	132	160	141	141	80	70	118	190	240	254	494	494	253	253	-	PG 16	M20x1.5	34.5	34.5
32-200/5.56	50	95	125	165	16	4	-	32	75	100	140	14	1	340	160	180	150	150	80	70	119	190	240	296	519	519	275	275	PG13.5	PG 16	M25x1.5	48.5	48.5
32-200/7.56	50	95	125	165	16	4	-	32	75	100	140	14	1	340	160	180	-	150	80	70	119	190	240	296	-	539	-	275	-	-	PG16	-	54.2
40-125/3.06	65	115	145	185	16	4	-	40	80	110	150	14	1	252	112	140	124	119	80	70	114	160	210	213	471	471	244+255	244+255	-	PG 13.5	M20x1.5	23	23
40-125/4.06	65	115	145	185	16	4	-	40	80	110	150	14	1	252	112	140	141	141	80	70	114	160	210	213	494	494	253	253	-	PG 16	M20x1.5	36.6	36.6
40-160/5.56	65	115	145	185	16	4	-	40	80	110	150	14	1	292	132	160	150	150	80	70	118	190	240	254	519	519	275	275	PG13.5	PG 16	M25x1.5	42.3	42.3
40-160/7.56	65	115	145	185	16	4	-	40	80	110	150	14	1	292	132	160	-	150	80	70	118	190	240	254	-	539	-	275	-	-	PG 16	-	56.4
40-200/9.26	65	115	145	185	16	4	-	40	80	110	150	14	2	340	160	180	-	178	100	70	115	212	265	296	-	595	-	329	-	-	PG 21	-	66.8
50-125/5.56	65	115	145	185	16	4	-	50	95	125	165	16	2	292	132	160	150	150	100	70	114	190	240	254	539	539	275	275	PG13.5	PG 16	M25x1.5	43.9	43.9
50-125/7.56	65	115	145	185	16	4	-	50	95	125	165	16	2	292	132	160	-	150	100	70	114	190	240	254	-	559	-	275	-	-	PG 16	-	56.7
50-160/9.26	65	115	145	185	16	4	-	50	95	125	165	16	2	340	160	180	-	178	100	70	115	212	265	296	-	595	-	329	-	-	PG 21	-	67.8
65-125/5.56	80	134	160	200	18	8	4	65	115	145	185	16	2	340	160	180	150	150	100	95	140	212	280	254	539	539	275	275	PG13.5	PG 16	M25x1.5	52	52
65-125/7.56	80	134	160	200	18	8	4	65	115	145	185	16	2	340	160	180	-	150	100	95	140	212	280	254	-	559	-	275	-	-	PG 16	-	59.2
65-160/9.26	80	134	160	200	18	8	4	65	115	145	185	16	2	360	160	200	-	178	100	95	140	212	280	296	-	595	-	329	-	-	PG 21	-	55.9

[1] Standard
 [2] on request
 (*) Only for IE3 motors

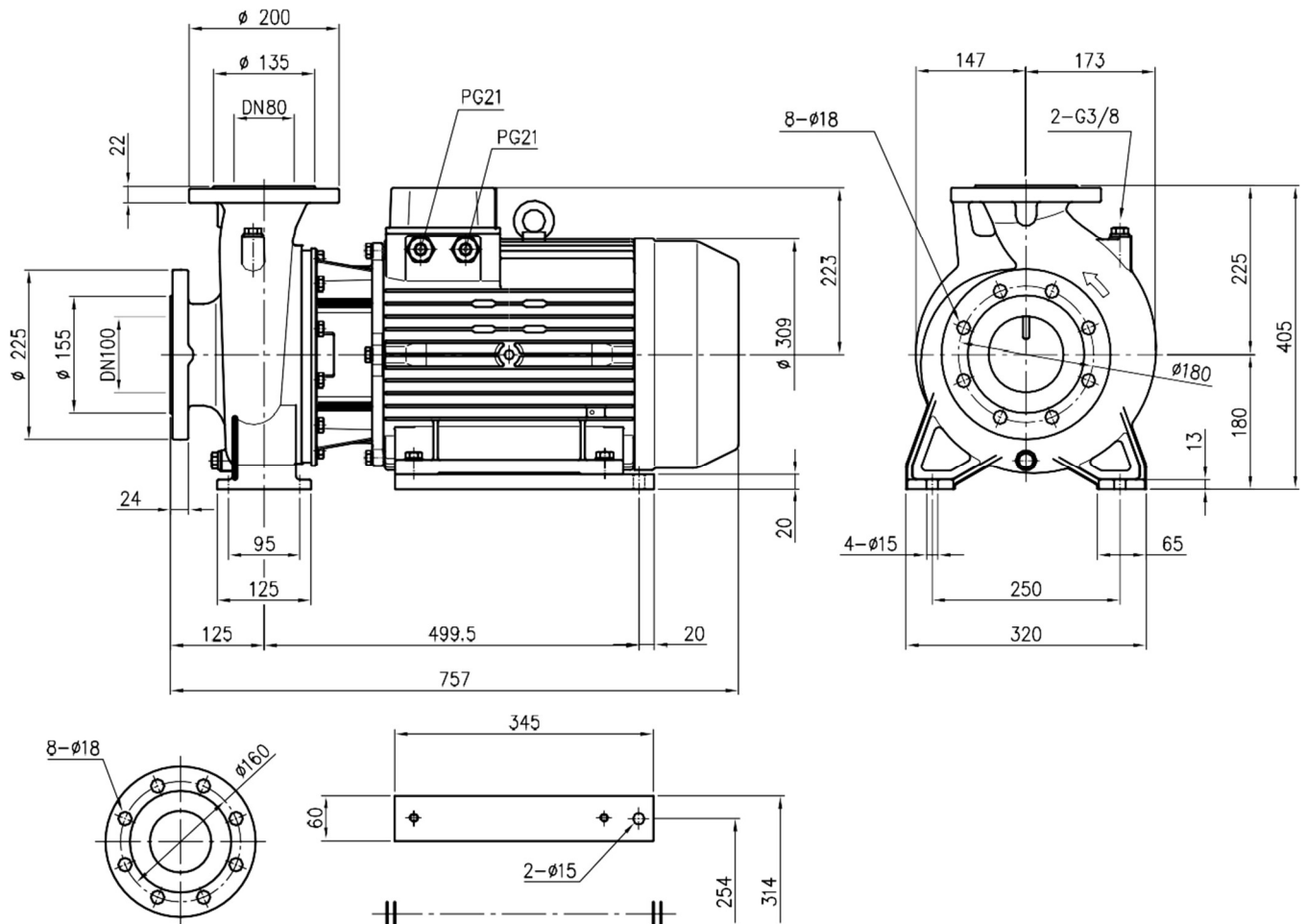
PUMP 3(.)M 40-200, 50-160, 65-160/200



Pump type	Dimensions [mm]																				Weight [kgf]						
	∅ DN1	∅ P1	∅ K1	∅ D1	S1	[1]	[2]	∅ DN2	∅ P2	∅ K2	∅ D2	S2	Fig.	H	H1	H2	W	M	N1	N2		B	C	L1	L2	L3	L4
40-200/156	65	115	145	185	16	4	-	40	80	110	150	14	2	340	160	180	70	115	212	265	723	190,5	254	318	64	304	106.1
50-160/156	65	115	145	185	16	4	-	50	95	125	165	16	2	340	160	180	70	115	212	265	723	190,5	254	318	64	304	82.6
65-160/156	80	134	160	200	18	8	4	65	115	145	185	16	2	360	160	200	95	140	212	280	732	199,5	254	318	64	304	106.1
65-200/156	80	134	160	200	18	8	4	65	115	145	185	16	1	405	180	225	95	140	250	320	732	-	254	314	60	345	109.1
65-200/18.56	80	134	160	200	18	8	4	65	115	145	185	16	1	405	180	225	95	140	250	320	732	-	254	314	60	345	126.3
65-200/226	80	134	160	200	18	8	4	65	115	145	185	16	1	405	180	225	95	140	250	320	732	-	254	314	60	345	134.1

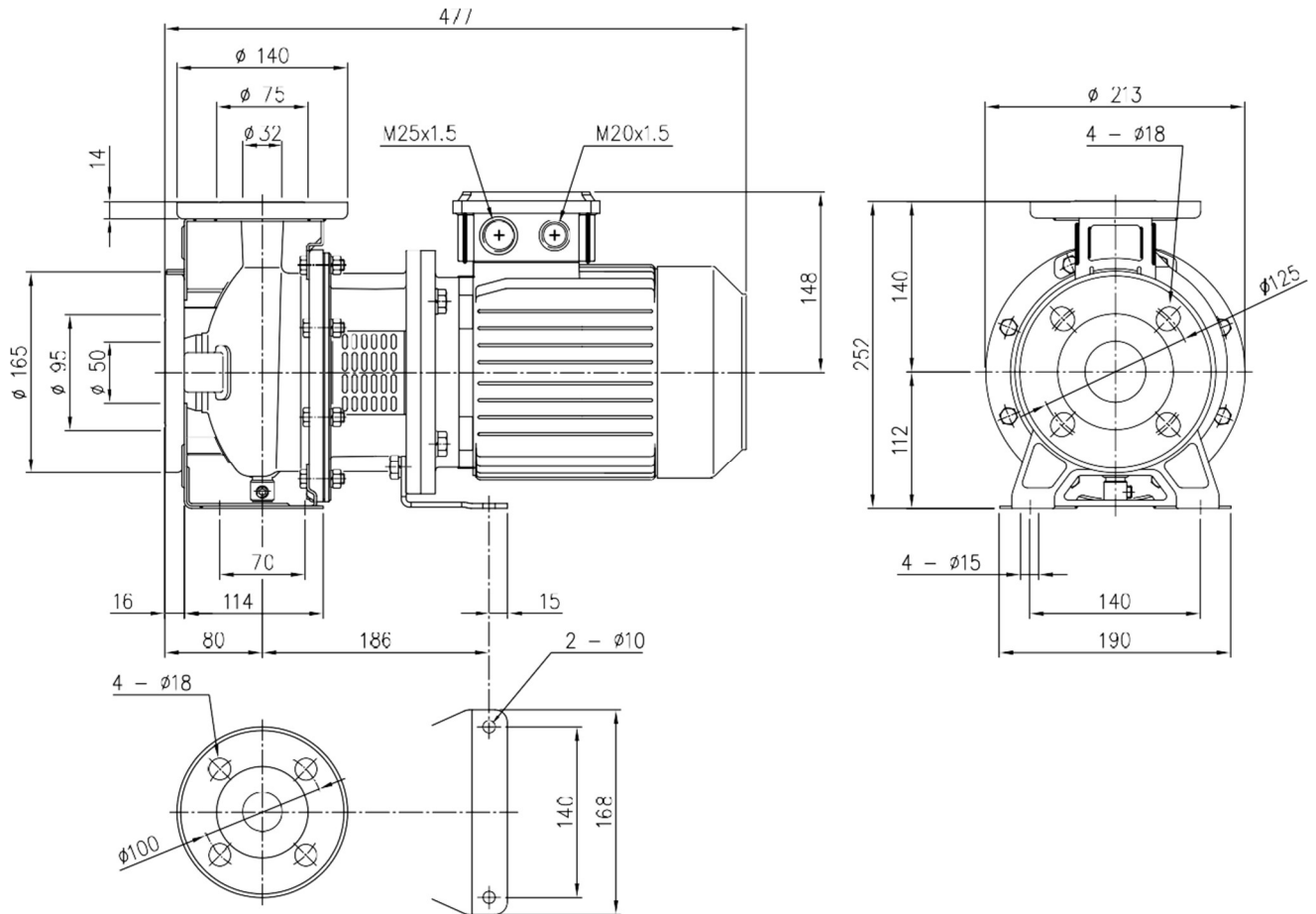
[1] Standard
[2] On request

PUMP 3LM 80-160



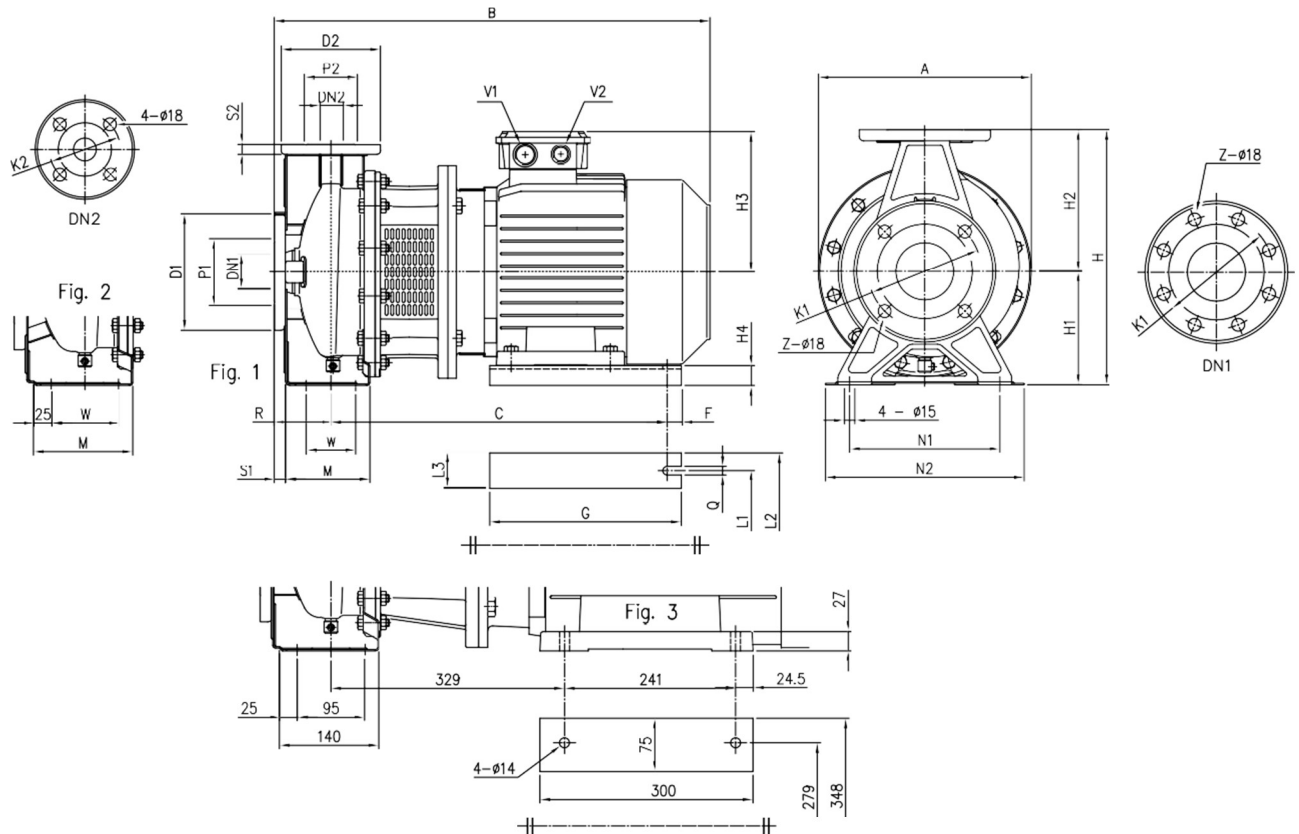
Pumps weight: 80-160/18.56: 145.3 kgf
 80-160/226: 158.1 kgf

PUMP 3(.)S 32-125/2.26



Pump weight: 31.4 kgf

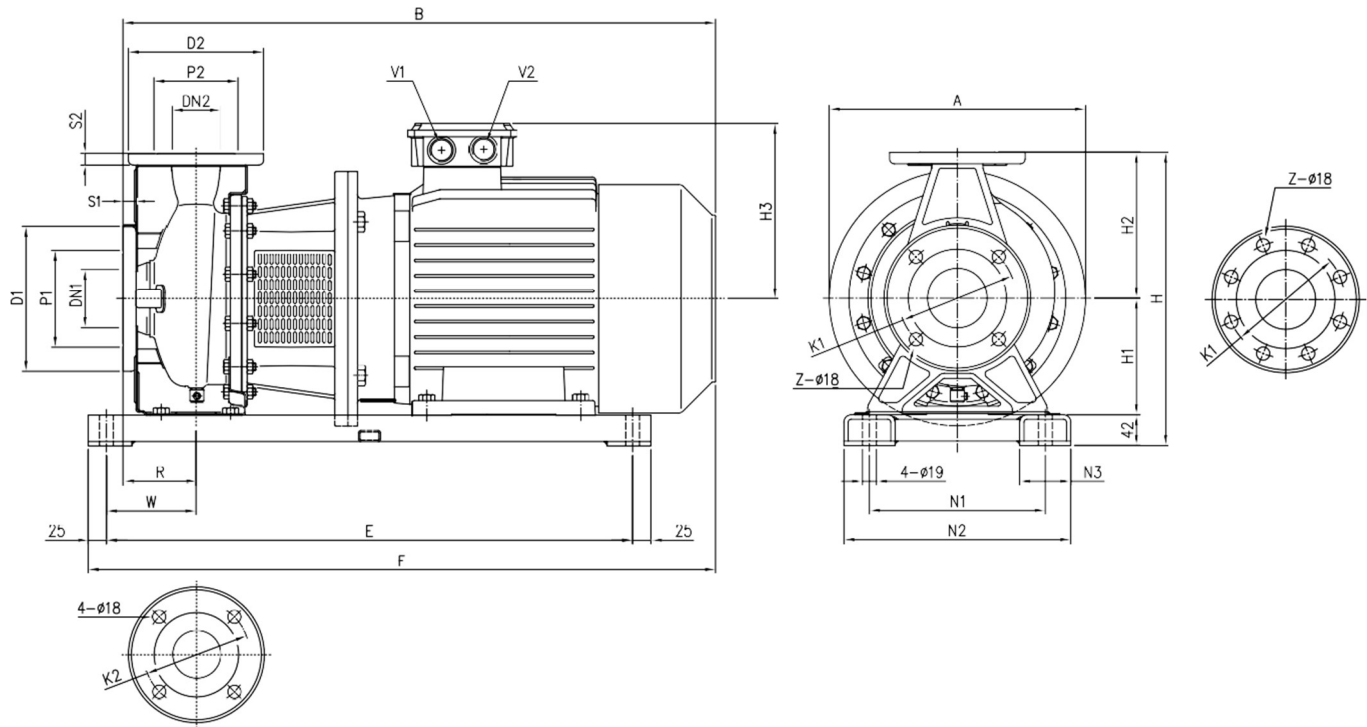
PUMP 3(.).S 32, 65-125/160/200



Pump type	Dimensions [mm]																											Weight [kgf]										
	∅ DN1	∅ P1	∅ K1	∅ D1	S1	[1]	[2]	∅ DN2	∅ P2	∅ K2	∅ D2	S2	Fig.	H	H1	H2	H3	H4	R	W	M	N1	N2	A	B	C	F		G	Q	L1	L2	L3	V1	V2			
32-160/3.06	50	95	125	165	16	4	-	32	75	100	140	14	1	292	132	160	155	32	80	70	118	190	240	254	528	388	15	220	12	160	200	40	M25x1.5	M20x1.5	38.4			
32-160/4.06	50	95	125	165	16	4	-	32	75	100	140	14	1	292	132	160	171	20	80	70	118	190	240	254	550	395	15	220	12	190	240	50	M25x1.5	M20x1.5	40			
32-200/5.56	50	95	125	165	16	4	-	32	75	100	140	14	1	340	160	180	198	28	80	70	119	190	240	300	607	479	15	270	12	216	266	50	M32x1.5	M32x1.5	71.8			
32-200/7.56	50	95	125	165	16	4	-	32	75	100	140	14	1	340	160	180	198	28	80	70	119	190	240	300	607	479	15	270	12	216	266	50	M32x1.5	M32x1.5	87			
65-125/5.56	80	134	160	200	18	8	4	65	115	145	185	16	2	340	160	180	198	28	100	95	140	212	280	300	627	479	15	270	12	216	266	50	M32x1.5	M32x1.5	60			
65-125/7.56	80	134	160	200	18	8	4	65	115	145	185	16	2	340	160	180	198	28	100	95	140	212	280	300	627	479	15	270	12	216	266	50	M32x1.5	M32x1.5	79.4			
65-160/9.26	80	134	160	200	18	8	4	65	115	145	185	16	2	360	160	200	198	28	100	95	140	212	280	300	667	479	15	270	12	216	266	50	M32x1.5	M32x1.5	88			
65-200/156	80	134	160	200	18	8	4	65	115	145	185	16	2	405	180	225	238	20	100	95	140	250	320	350	806	621	20	350	14	254	314	60	M40x1.5	M40x1.5	138			
65-200/18.56	80	134	160	200	18	8	4	65	115	145	185	16	2	405	180	225	238	20	100	95	140	250	320	350	850	621	20	350	14	254	314	60	M40x1.5	M40x1.5	137.2			
65-200/226	80	134	160	200	18	8	4	65	115	145	185	16	3	405	180	225	268	-	100	-	-	250	320	360	885	-	-	-	-	-	-	-	-	-	-	M32x1.5	M32x1.5	175

[1] Standard
[2] On request

PUMP 3(.)S 40, 50, 65-160

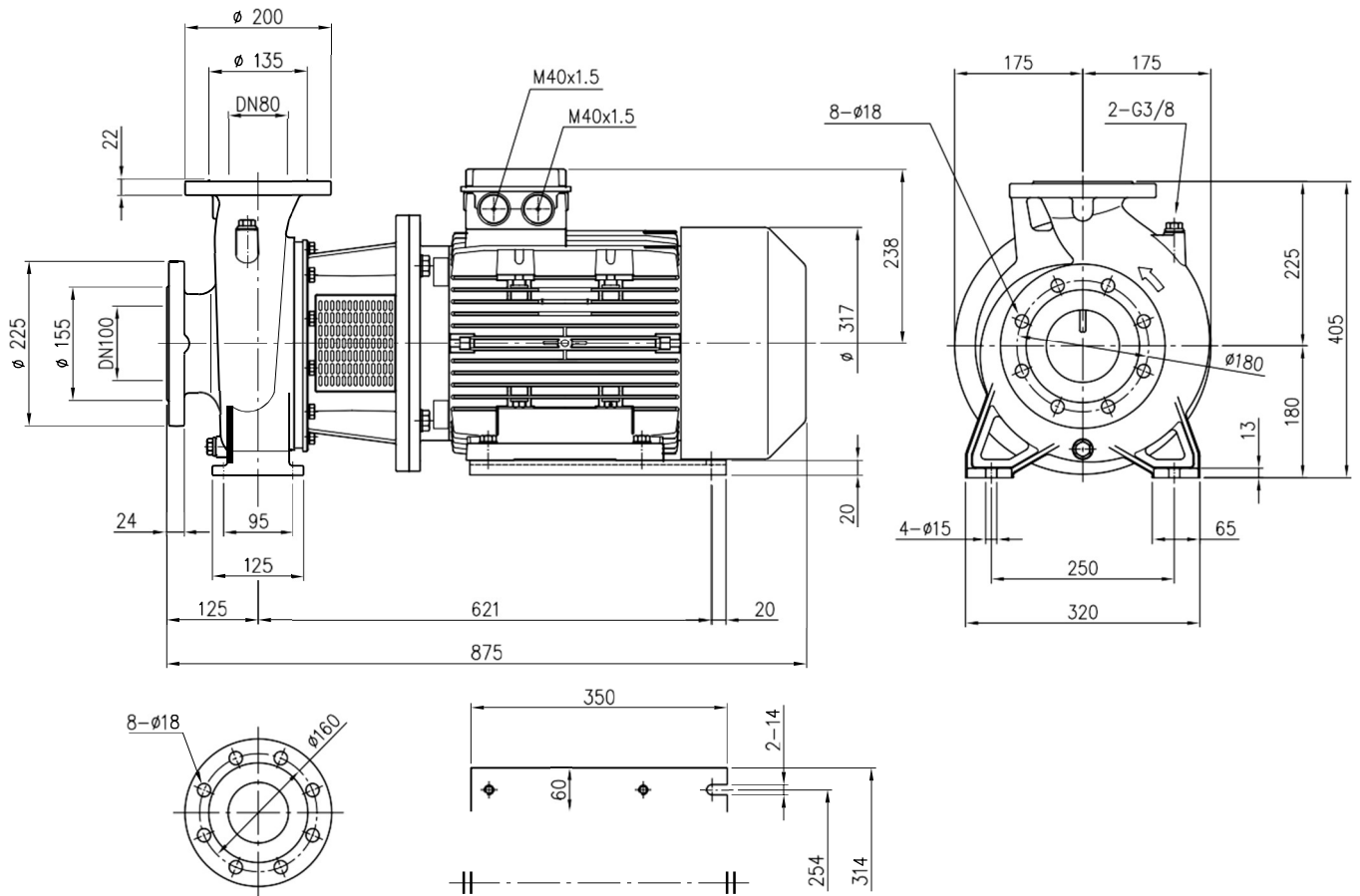


Pump type	Dimensions [mm]																							Weight [kgf]				
	∅ DN1	∅ P1	∅ K1	∅ D1	S1	Z [1]	Z [2]	∅ DN2	∅ P2	∅ K2	∅ D2	S2	H	H1	H2	H3	R	W	N1	N2	N3	A	B		E	F	V1	V2
40-125/3.06	65	115	145	185	16	4	-	40	80	110	150	14	294	112	140	155	80	90	180	240	60	250	528	500	563	M25x1.5	M20x1.5	34.5
40-125/4.06	65	115	145	185	16	4	-	40	80	110	150	14	294	112	140	171	80	90	180	240	60	250	550	500	585	M25x1.5	M20x1.5	44.6
40-160/5.56	65	115	145	185	16	4	-	40	80	110	150	14	334	132	160	198	80	110	210	270	60	300	607	600	662	M32x1.5	M32x1.5	71.2
40-160/7.56	65	115	145	185	16	4	-	40	80	110	150	14	334	132	160	198	80	110	210	270	60	300	607	600	662	M32x1.5	M32x1.5	81
40-200/116	65	115	145	185	16	4	-	40	80	110	150	14	382	160	180	238	100	110	240	310	70	350	796	720	831	M40x1.5	M40x1.5	117.8
40-200/156	65	115	145	185	16	4	-	40	80	110	150	14	382	160	180	238	100	110	240	310	70	350	796	720	831	M40x1.5	M40x1.5	147.9
50-125/5.56	65	115	145	185	16	4	-	50	95	125	165	16	334	132	160	198	100	110	210	270	60	300	627	600	662	M32x1.5	M32x1.5	62.8
50-125/7.56	65	115	145	185	16	4	-	50	95	125	165	16	334	132	160	198	100	110	210	270	60	300	627	600	662	M32x1.5	M32x1.5	90
50-160/9.26	65	115	145	185	16	4	-	50	95	125	165	16	382	160	180	238	100	110	240	310	70	350	796	720	831	M40x1.5	M40x1.5	85.8
50-160/156	65	115	145	185	16	4	-	50	95	125	165	16	382	160	180	238	100	110	240	310	70	350	796	720	831	M40x1.5	M40x1.5	119.9
65-160/116	80	134	160	200	18	8	4	65	115	145	185	16	402	160	200	238	100	122.5	240	310	70	350	796	720	844	M40x1.5	M40x1.5	86.8
65-160/156	80	134	160	200	18	8	4	65	115	145	185	16	402	160	200	238	100	122.5	240	310	70	350	806	720	854	M40x1.5	M40x1.5	120.9

[1] Standard

[2] On request

PUMP 3LS 80-160/18.56



Pump weight: 151.2 kgf

CENTRIFUGAL PUMPS

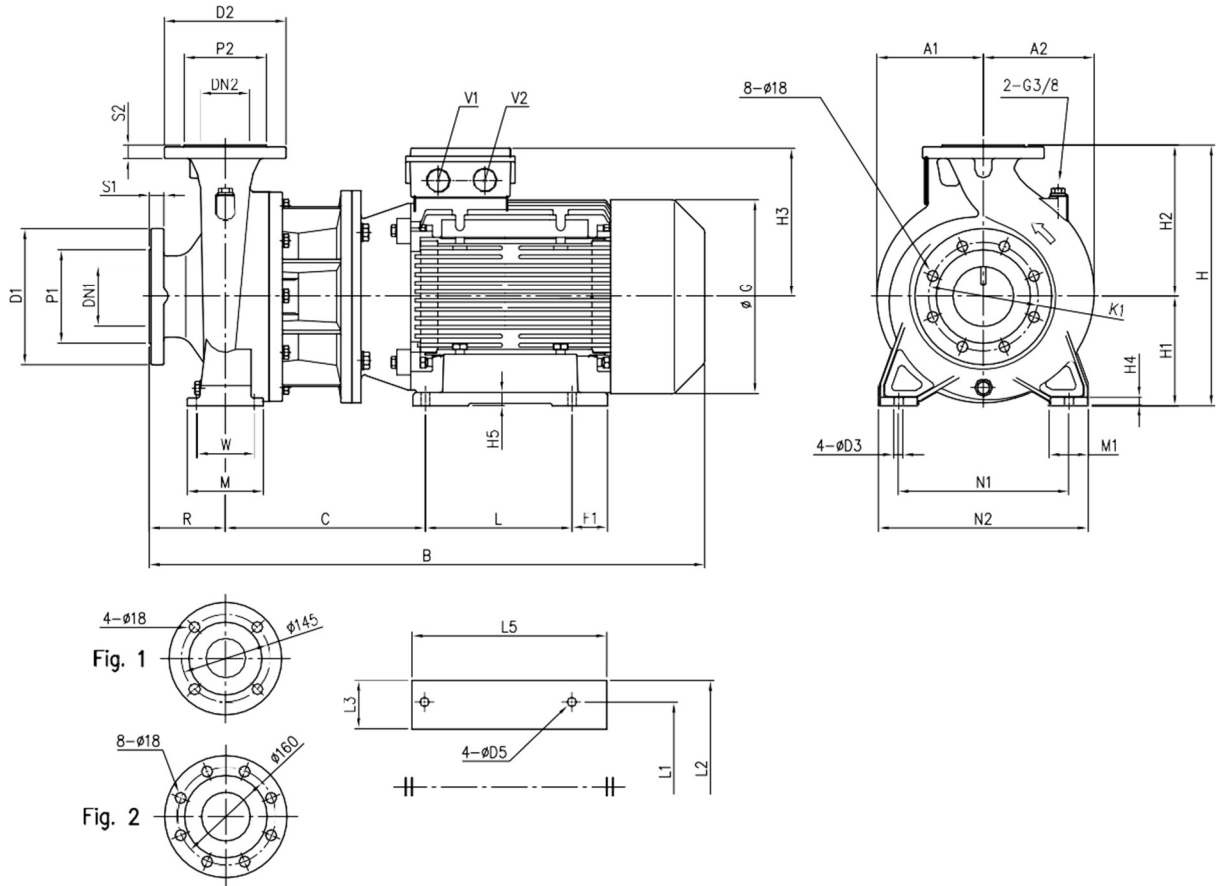
3 SERIES

DIMENSIONS and WEIGHT

60Hz

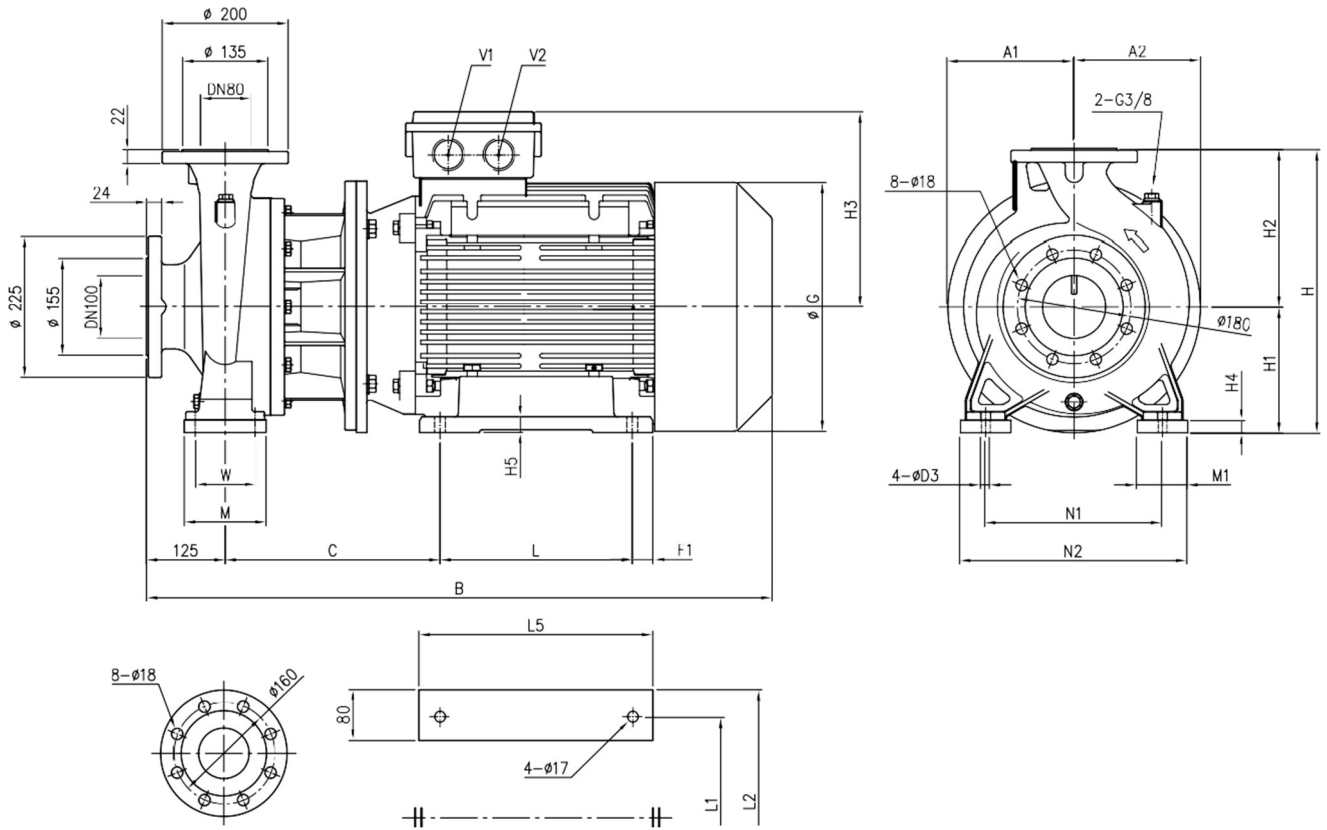
Rev. P

PUMP 3LS 65-250, 80-160/200



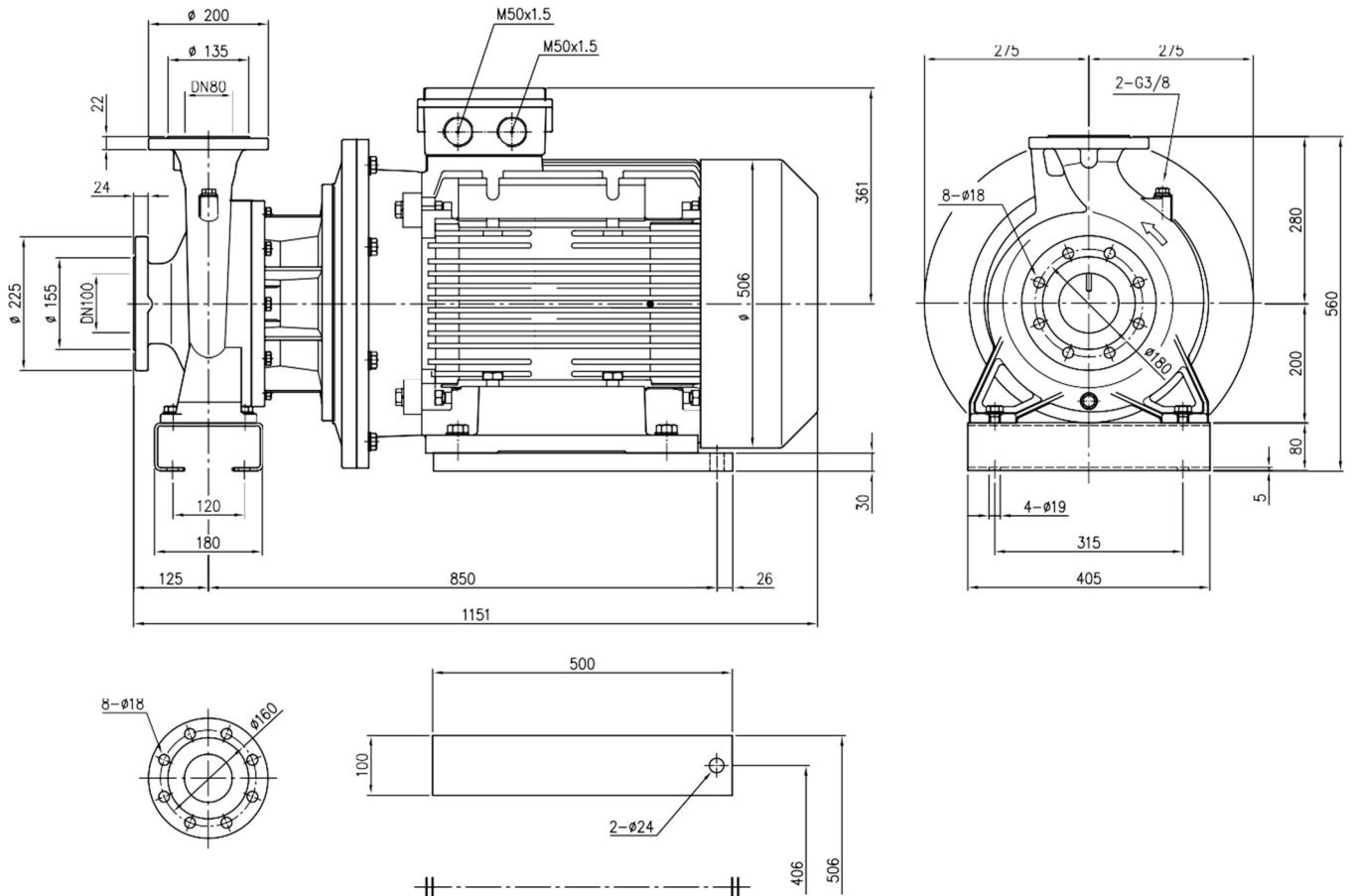
Pump type	Dimensions [mm]																										Weight [kg]										
	DN1	P1	K1	D1	S1	DN2	P2	D2	S2	H	H1	H2	H3	H4	H5	R	W	N1	N2	M	M1	L	L1	L2	L3	L5		A1	A2	B	C	F1	G	D3	D5	V1	V2
65-250/306	80	135	160	200	22	65 Fig. 1	120	185	20	450	200	250	300	15	25	100	120	280	360	160	80	305	318	388	80	358	200	200	966	341	21.5	399	19	17	M40x1.5	M40x1.5	303
65-250/376	80	135	160	200	22	65 Fig. 1	120	185	20	450	200	250	300	15	25	100	120	280	360	160	80	305	318	388	80	358	200	200	966	341	21.5	399	19	17	M40x1.5	M40x1.5	320
80-160/226	100	155	180	225	24	80 Fig. 2	135	200	22	405	180	225	268	13	27	125	95	250	320	125	65	241	279	348	75	300	175	175	910	329	24.5	360	15	14	M32x1.5	M32x1.5	207
80-200/226	100	155	180	225	24	80 Fig. 2	135	200	22	430	180	250	268	13	27	125	95	280	345	125	65	241	279	348	75	300	175	182	910	329	24.5	360	15	14	M32x1.5	M32x1.5	207

PUMP 3LS 80-200/250



Pump type	H	H1	H2	H3	H4	H5	W	N1	N2	M	Dimensions [mm]	M1	L	L1	L2	L5	A1	A2	B	C	F1	G	D3	V1	V2	Weight [kgf]
80-200/306	450	200	250	300	20	25	95	280	360	130	80	305	318	388	358	200	200	991	341	21.5	399	14	M40x1.5	M40x1.5	306	
80-200/376	450	200	250	300	20	25	95	280	360	130	80	305	318	388	358	200	200	991	341	21.5	399	14	M40x1.5	M40x1.5	325	
80-250/456	505	225	280	335	25	28	120	315	415	165	100	311	356	436	386	225	225	1060	385	37.5	465	18	M50x1.5	M50x1.5	401	

PUMP 3LS 80-250/556



Pump weight : 489 kgf

CENTRIFUGAL PUMPS

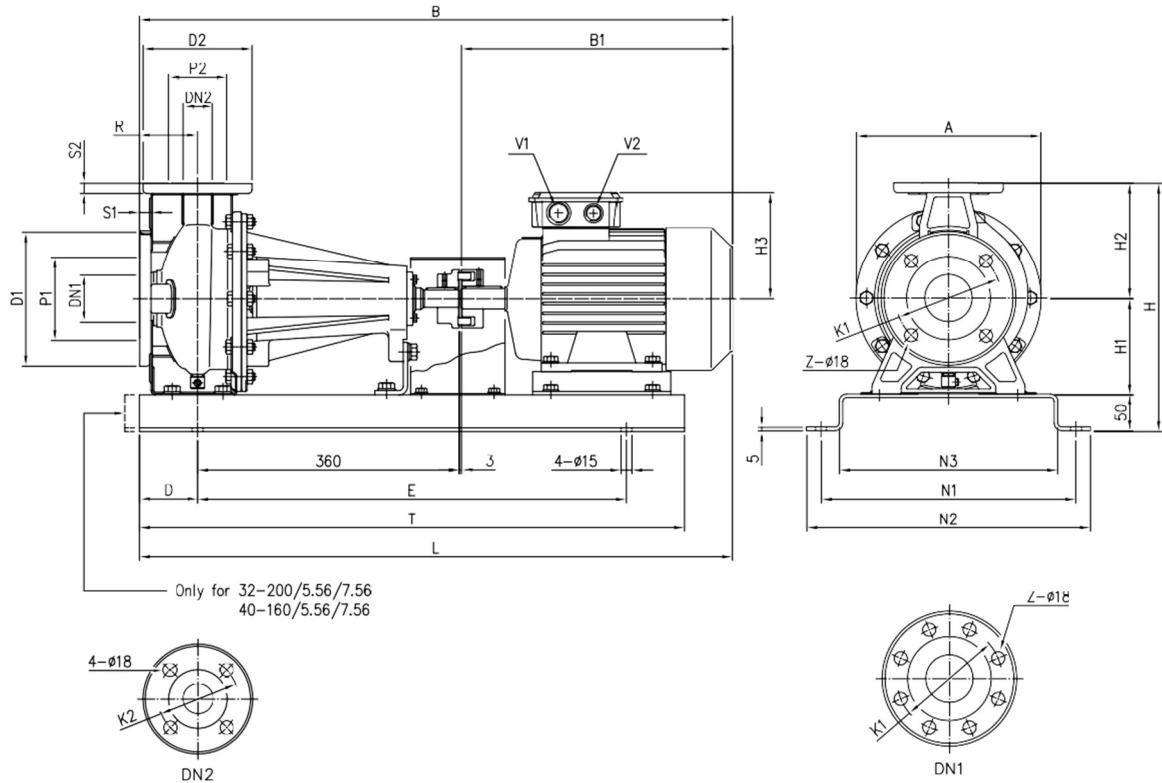
3 SERIES

DIMENSIONS and WEIGHT

60Hz

Rev. P

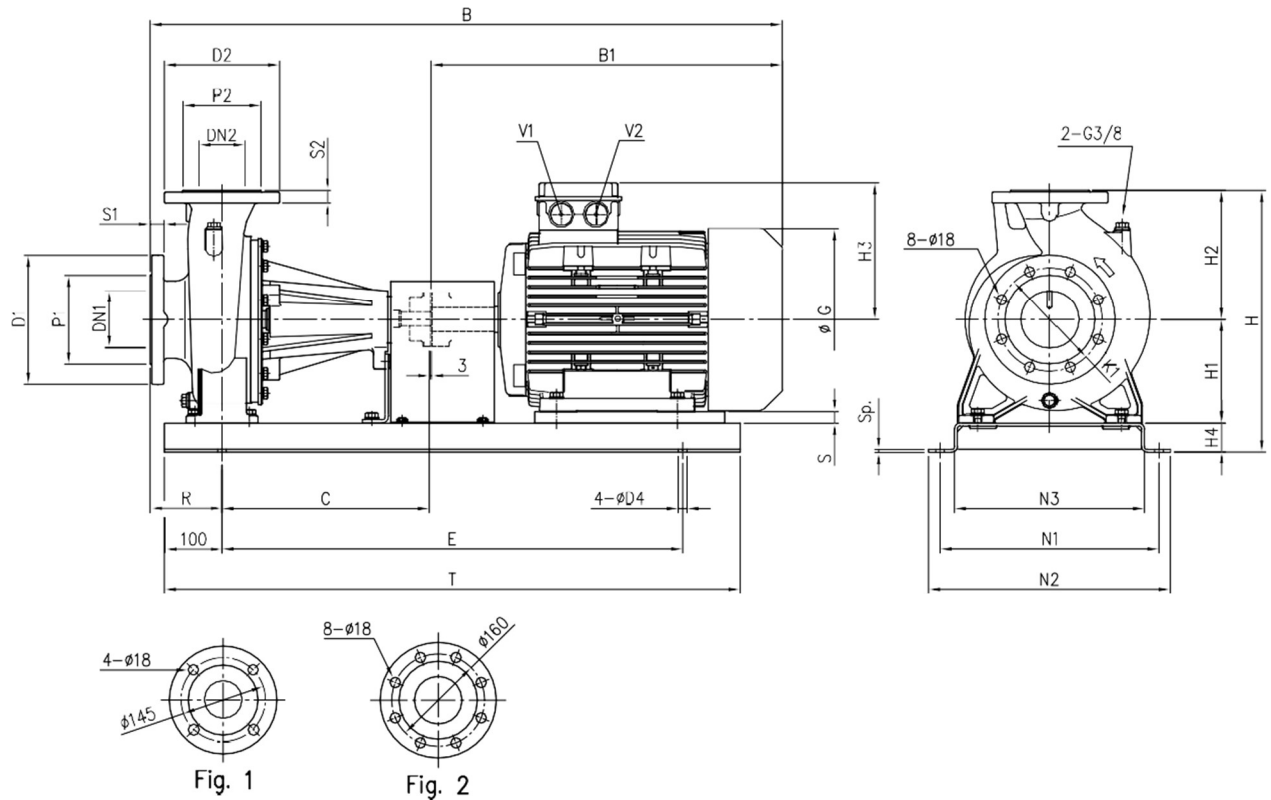
PUMP 3(.)P 32, 40, 50, 65-125/160/200



Model	Dimensions [mm]																							Weight [kgf]						
	Ø DN1	Ø P1	Ø K1	Ø D1	S1	Z [1] [2]	Ø DN2	Ø P2	Ø K2	Ø D2	S2	H	H1	H2	H3	R	A	B	B1	D	E	N1	N2		N3	T	L	V1	V2	
32-125/2.26	50	95	125	165	16	4	-	32	75	100	140	14	302	112	140	148	80	213	760	317	80	550	300	340	250	710	760	M25x1.5	M20x1.5	52.5
32-160/3.06	50	95	125	165	16	4	-	32	75	100	140	14	342	132	160	155	80	254	809	366	80	590	350	390	300	750	809	M25x1.5	M20x1.5	70.5
32-160/4.06	50	95	125	165	16	4	-	32	75	100	140	14	342	132	160	171	80	254	831	388	80	590	350	390	300	750	831	M25x1.5	M20x1.5	74.1
32-200/5.56	50	95	125	165	16	4	-	32	75	100	140	14	390	160	180	198	80	296	885	442	100	650	350	390	300	850	905	M32x1.5	M32x1.5	97
32-200/7.56	50	95	125	165	16	4	-	32	75	100	140	14	390	160	180	198	80	296	885	442	100	650	350	390	300	850	905	M32x1.5	M32x1.5	112.2
40-125/3.06	65	115	145	185	16	4	-	40	80	110	150	14	302	112	140	155	80	213	809	366	80	590	300	340	250	750	809	M25x1.5	M20x1.5	80
40-125/4.06	65	115	145	185	16	4	-	40	80	110	150	14	302	112	140	171	80	213	831	388	80	590	300	340	250	750	831	M25x1.5	M20x1.5	66.6
40-160/5.56	65	115	145	185	16	4	-	40	80	110	150	14	342	132	160	198	80	254	885	442	100	650	350	390	300	850	905	M32x1.5	M32x1.5	97
40-160/7.56	65	115	145	185	16	4	-	40	80	110	150	14	342	132	160	198	80	254	885	442	100	650	350	390	300	850	905	M32x1.5	M32x1.5	105.9
40-200/116	65	115	145	185	16	4	-	40	80	110	150	14	390	160	180	238	100	296	1071	608	100	800	380	420	330	1000	1071	M40x1.5	M40x1.5	127.8
40-200/156	65	115	145	185	16	4	-	40	80	110	150	14	390	160	180	238	100	296	1071	608	100	800	380	420	330	1000	1071	M40x1.5	M40x1.5	134.9
50-125/5.56	65	115	145	185	16	4	-	50	95	125	165	16	342	132	160	198	100	254	905	442	100	650	350	390	300	850	905	M32x1.5	M32x1.5	98
50-125/7.56	65	115	145	185	16	4	-	50	95	125	165	16	342	132	160	198	100	254	905	442	100	650	350	390	300	850	905	M32x1.5	M32x1.5	106.9
50-160/9.26	65	115	145	185	16	4	-	50	95	125	165	16	390	160	180	238	100	296	1071	608	100	800	380	420	330	1000	1071	M40x1.5	M40x1.5	127.3
50-160/156	65	115	145	185	16	4	-	50	95	125	165	16	390	160	180	238	100	296	1071	608	100	800	380	420	330	1000	1071	M40x1.5	M40x1.5	134.4
65-125/5.56	80	134	160	200	18	8	4	65	115	145	185	16	390	160	180	198	100	254	905	442	100	650	350	390	300	850	905	M32x1.5	M32x1.5	99
65-125/7.56	80	134	160	200	18	8	4	65	115	145	185	16	390	160	180	198	100	254	905	442	100	650	350	390	300	850	905	M32x1.5	M32x1.5	109.4
65-160/9.26	80	134	160	200	18	8	4	65	115	145	185	16	410	160	200	198	100	296	945	482	100	650	350	390	300	850	945	M32x1.5	M32x1.5	118
65-160/116	80	134	160	200	18	8	4	65	115	145	185	16	410	160	200	238	100	296	1071	608	100	800	380	420	330	1000	1071	M40x1.5	M40x1.5	124.8
65-160/156	80	134	160	200	18	8	4	65	115	145	185	16	410	160	200	238	100	296	1071	608	100	800	380	420	330	1000	1071	M40x1.5	M40x1.5	129
65-200/156	80	134	160	200	18	8	4	65	115	145	185	16	455	180	225	238	100	296	1071	608	100	800	380	420	330	1000	1071	M40x1.5	M40x1.5	137
65-200/18.56	80	134	160	200	18	8	4	65	115	145	185	16	455	180	225	238	100	296	1115	652	100	800	380	420	330	1000	1115	M40x1.5	M40x1.5	135.2
65-200/226	80	134	160	200	18	8	4	65	115	145	185	16	455	180	225	268	100	296	1150	687	100	800	410	450	360	1000	1150	M32x1.5	M32x1.5	189

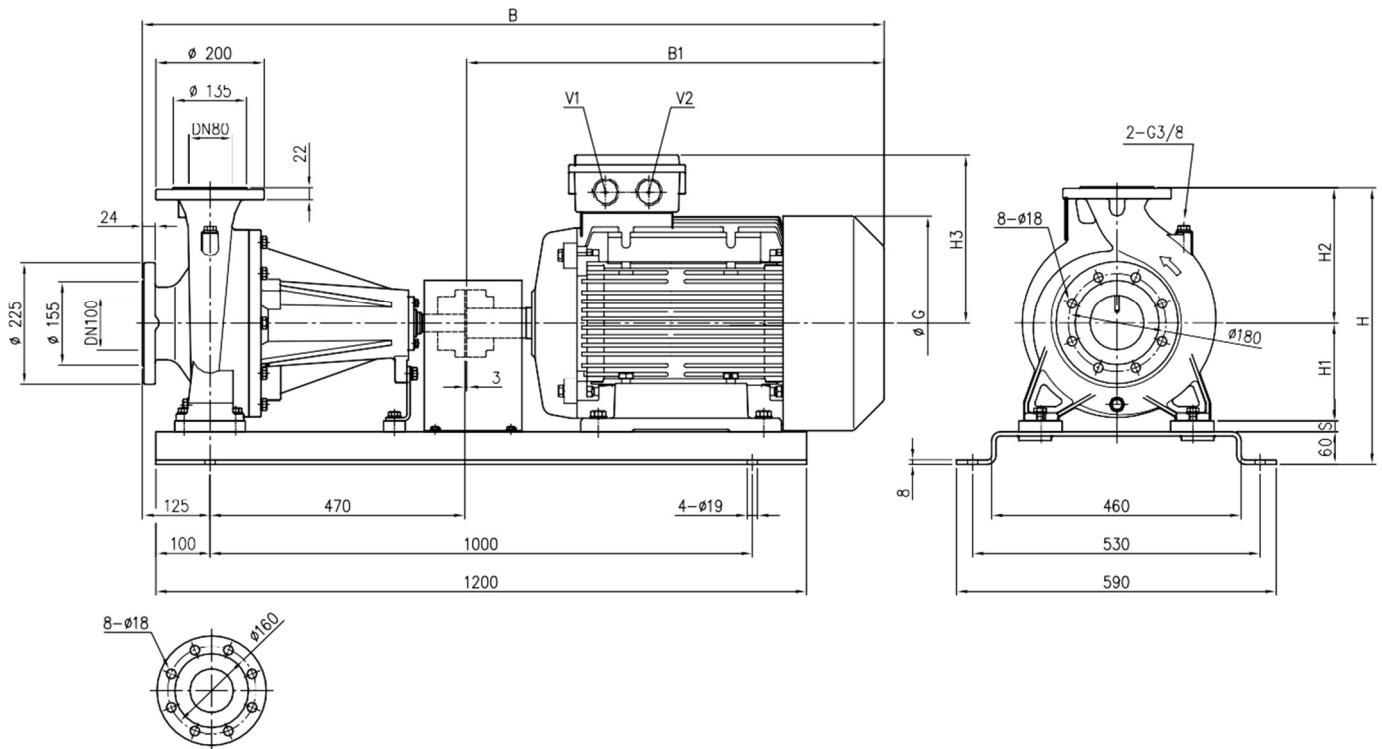
[1] Standard
[2] On request

PUMP 3LP 65-250, 80-160/200



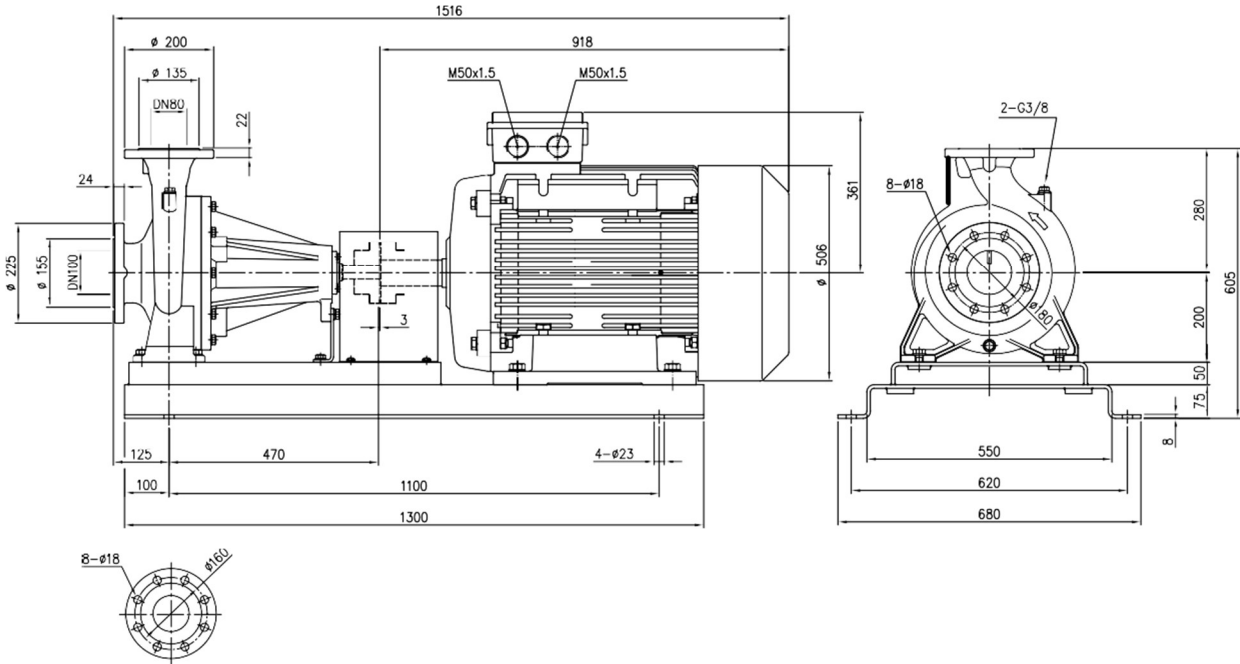
Pump type	Dimensions [mm]																				Weigh [kgf]									
	DN1	P1	k1	D1	S1	DN2	P2	D2	S2	H	H1	H2	H3	H4	R	N1	N2	N3	B	B1		C	G	E	T	S	D4	Sp	V1	V2
65-250/306	80	135	160	200	22	65 Fig. 1	120	185	20	510	200	250	300	60	100	530	590	460	1341	768	470	399	1000	1200	-	19	8	M40x1.5	M40x1.5	354
65-250/376	80	135	160	200	22	65 Fig. 1	120	185	20	510	200	250	300	60	100	530	590	460	1341	768	470	399	1000	1200	-	19	8	M40x1.5	M40x1.5	373
80-160/18.56	100	155	180	225	24	80 Fig. 2	135	200	22	455	180	225	238	50	125	380	420	330	1140	652	360	317	800	1000	20	15	5	M40x1.5	M40x1.5	174.7
80-160/226	100	155	180	225	24	80 Fig. 2	135	200	22	455	180	225	268	50	125	410	450	360	1175	687	360	360	800	1000	-	15	5	M32x1.5	M32x1.5	250
80-200/226	100	155	180	225	24	80 Fig. 2	135	200	22	490	180	250	268	60	125	530	590	460	1285	687	470	360	1000	1200	-	19	8	M32x1.5	M32x1.5	252

PUMP 3LP 80-200/250



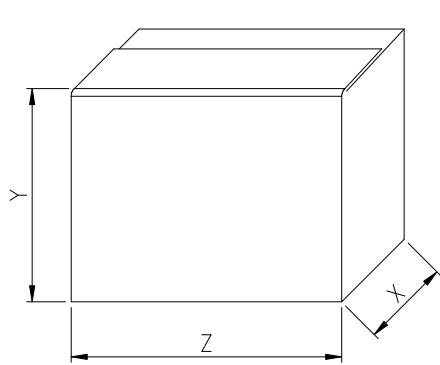
Pump type	Dimensions [mm]										Weight [kgf]
	H	H1	H2	H3	B	B1	G	S	V1	V2	
80-200/306	510	180	250	300	1366	768	399	20	M40x1.5	M40x1.5	356
80-200/376	510	180	250	300	1366	768	399	20	M40x1.5	M40x1.5	365
80-250/456	565	200	280	335	1407	809	465	25	M50x1.5	M50x1.5	440

PUMP 3LP 80-250/556

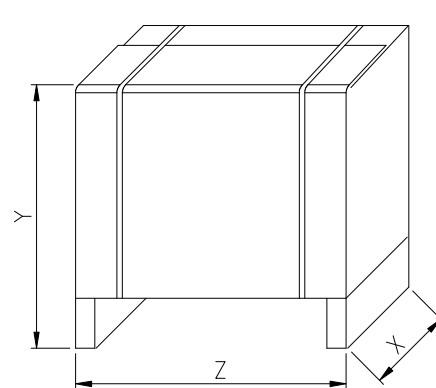


Pump weight: 528 kgf

PACKING 3(.)M



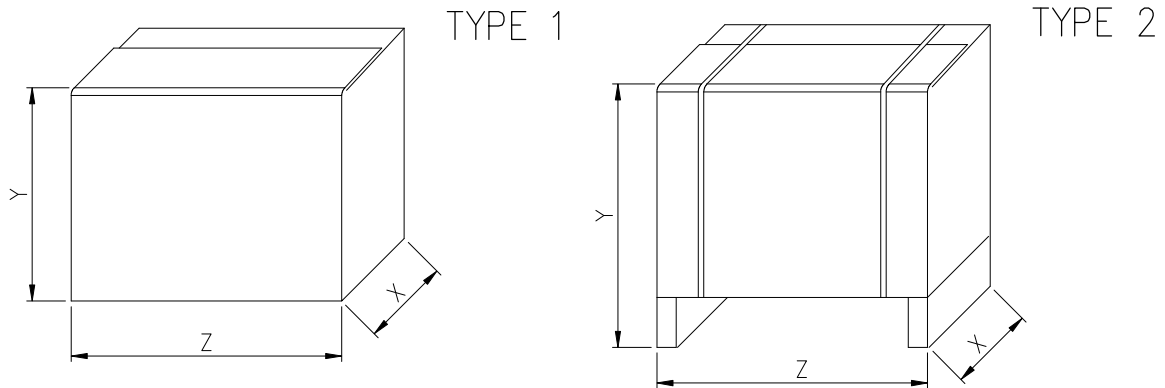
TYPE 1



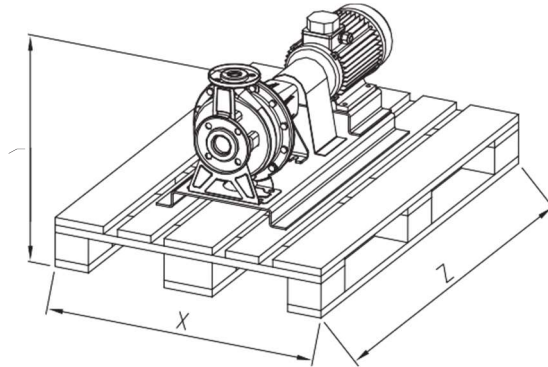
TYPE 2

Pump type	Packing [mm]			Weight [kgf]	Pack Type			
	X	Y	Z					
32-125/2.26	280	340	490	25.6	1			
32-160/3.06	350	480	580	31.6	2			
32-160/4.06				39.5				
32-200/5.56				50.5				
32-200/7.56				61.1				
40-125/3.06				28.4				
40-125/4.06				41.4				
40-160/5.56				49.8				
40-160/7.56				61.1				
40-200/9.26				72.8				
40-200/156				390		520	880	116.2
50-125/5.56	350	480	580	49				
50-125/7.56			700	61.5				
50-160/9.26	390	520	880	71.8				
50-160/156				87.9				
65-125/5.56				350	480	580	55	
65-125/7.56				350	490	700	62.2	
65-160/9.26							62.3	
65-160/116							80.3	
65-160/156				390	520	880	117.2	
65-200/156							120.2	
65-200/18.56							139.9	
65-200/226							149.2	
80-160/18.56	860	160.6						
80-160/226			180.2					

PACKING 3(.)S



Pump type	Packing [mm]			Weight [kgf]	Pack Type
	X	Y	Z		
32-125/2.26	350	480	580	51	2
32-160/3.06	350	490	700	50.9	
32-160/4.06				73.3	
32-200/5.56	350	490	700	82.1	
32-200/7.56	350	490	700	32.2	
40-125/3.06				48	
40-125/4.06	350	490	700	75.4	
40-160/5.56				83.2	
40-160/7.56	350	490	700	115	
40-200/116	390	590	880	57.3	
40-200/156				68.4	
50-125/5.56	350	490	700	83	
50-125/7.56				94.7	
50-160/9.26	390	590	880	106.9	
50-160/156				136.9	
65-125/5.56	350	490	700	77.4	
65-125/7.56				82.4	
65-160/9.26	390	590	880	77	
65-160/116				107.9	
65-160/156	390	590	960	138	
65-200/156	390	590	880	147.6	
65-200/18.56	390	590	960	166.5	
65-200/226				329	
65-250/306	500	717	1100	339	
65-250/376				141	
80-160/18.56	390	590	960	225.5	
80-160/226				322	
80-200/226	500	717	110	332	
80-200/306				344	
80-200/376				354	
80-250/456				517	
80-250/556	600	817	1400	600	

PACKING 3(.)P

Pump type	Packing [mm]			Weight [kgf]
	X	Y	Z	
32-125/2.26	800	435	1200	52.5
32-160/3.06		467		70.5
32-160/4.06		478		74.1
32-200/5.56		533		96
32-200/7.56				
40-125/3.06		442		80
40-125/4.06		458		66.6
40-160/5.56		505		97
40-160/7.56				105
40-200/116		573		127.8
40-200/156				136.9
50-125/5.56		505		97
50-125/7.56				105
50-160/9.26		573		127.3
50-160/156				134.4
65-125/5.56		533		98
65-125/7.56				108.4
65-160/9.26				118
65-160/116		535		124.8
65-160/156				129
65-200/156		573		137
65-200/18.56		593		135.2
65-200/226		623		189
65-250/306		685		354
65-250/376				373
80-160/18.56		593		181.2
80-160/226		623		259
80-200/226		633		267
80-200/306		665		356
80-200/376				365
80-250/456		720		440
80-250/556		811		528

MOTOR DATA 3(.)M

Pump type	Power		Efficiency	Efficiency (% load)			cos phi	Input	Efficiency (% load)			cos phi	Input	Full load current				Locked rotor current			
	[kW]	[HP]		Three phase (380 V)					Three phase (460 V)					[A]				[A]			
				50%	75%	100%	100%		50%	75%	100%	100%		220 V	380 V	460 V	660 V	220 V	380 V	460 V	660 V
							%	[kW]				%	[kW]								
3(.)M 32-125/2.26	2,2	3,0	IE3*	86,5	86,8	86,2	0,9	2,55	86,9	87,8	87,4	0,8	2,48	7,5	4,3	4,1	-	55,7	32,2	38,9	-
3(.)M 32-160/3.06	3,0	4,0	IE3*	86,8	87,0	87,5	0,9	3,43	87,0	87,9	88,5	0,8	3,42	10,2	5,9	5,6	-	75,7	43,7	52,8	-
3(.)M 32-160/4.06	4,0	5,5	IE3*	89,7	89,6	88,6	0,9	4,51	86,1	88,4	88,5	0,9	4,52	13,5	7,8	7,6	-	107,1	61,8	74,9	-
3(.)M 32-200/5.56	5,5	7,5	IE3	90,4	90,9	90,4	0,9	6,08	88,7	90,5	91,0	0,9	6,04	-	10,1	8,9	5,8	-	94,5	114,3	54,6
3(.)M 32-200/7.56	7,5	10,0	IE3	90,0	90,6	90,3	0,9	8,31	88,1	90,3	90,8	0,8	8,30	-	13,6	11,9	7,8	-	118,0	143,0	68,1
3(.)M 40-125/3.06	3,0	4,0	IE3*	86,8	87,0	87,5	0,9	3,43	87,0	87,9	88,5	0,8	3,42	10,2	5,9	5,6	-	75,7	43,7	52,8	-
3(.)M 40-125/4.06	4,0	5,5	IE3*	89,7	89,6	88,6	0,9	4,51	86,1	88,4	88,5	0,9	4,52	13,5	7,8	7,6	-	107,1	61,8	74,9	-
3(.)M 40-160/5.56	5,5	7,5	IE3	90,4	90,9	90,4	0,9	6,08	88,7	90,5	91,0	0,9	6,04	-	10,1	8,9	5,8	-	94,5	114,3	54,6
3(.)M 40-160/7.56	7,5	10,0	IE3	90,0	90,6	90,3	0,9	8,31	88,1	90,3	90,8	0,8	8,30	-	13,6	11,9	7,8	-	118,0	143,0	68,1
3(.)M 40-200/9.26	9,2	12,5	IE3	90,3	91,2	91,2	0,9	10,09	88,3	90,5	91,3	0,8	10,86	-	18,3	15,1	10,6	-	115,0	140,0	66,4
3(.)M 40-200/15.6	15,0	20,0	IE3	92,5	92,7	92,1	0,9	16,29	91,0	92,5	92,7	0,8	16,23	-	27,1	23,9	15,7	-	184,0	223,0	106,2
3(.)M 50-125/5.56	5,5	7,5	IE3	90,4	90,9	90,4	0,9	6,08	88,7	90,5	91,0	0,9	6,70	-	10,9	9,8	6,3	-	94,5	114,3	54,6
3(.)M 50-125/7.56	7,5	10,0	IE3	90,0	90,6	90,3	0,9	8,31	88,1	90,3	90,8	0,8	8,30	-	13,6	11,9	7,8	-	118,0	143,0	68,1
3(.)M 50-160/9.26	9,2	12,5	IE3	90,3	91,2	91,2	0,9	10,09	88,3	90,5	91,3	0,8	10,86	-	18,3	15,1	10,6	-	115,0	140,0	66,4
3(.)M 50-160/15.6	15,0	20,0	IE3	92,5	92,7	92,1	0,9	16,29	91,0	92,5	92,7	0,8	16,23	-	27,1	23,9	15,7	-	184,0	223,0	106,2
3(.)M 65-125/5.56	5,5	7,5	IE3	90,4	90,9	90,4	0,9	6,08	88,7	90,5	91,0	0,9	6,04	-	10,1	9,8	5,8	-	94,5	114,3	54,6
3(.)M 65-125/7.56	7,5	10,0	IE3	90,0	90,6	90,3	0,9	8,31	88,1	90,3	90,8	0,8	8,30	-	13,6	11,9	7,8	-	118,0	143,0	68,1
3(.)M 65-160/9.26	9,2	12,5	IE3	90,3	91,2	91,2	0,9	10,09	88,3	90,5	91,3	0,8	10,06	-	16,9	14,9	9,7	-	115,0	140,0	66,4
3(.)M 65-160/11.6	11,0	15,0	IE3	91,9	91,8	91,2	0,9	12,06	90,9	91,8	91,3	0,9	12,11	-	20,3	18,5	11,7	-	153,0	185,0	88,3
3(.)M 65-160/15.6	15,0	20,0	IE3	92,5	92,7	92,1	0,9	16,29	91,0	92,5	92,7	0,8	16,23	-	27,1	23,9	15,7	-	184,0	223,0	106,2
3(.)M 65-200/15.6	15,0	20,0	IE3	92,5	92,7	92,1	0,9	16,29	91,0	92,5	92,7	0,8	16,23	-	27,1	23,9	15,7	-	184,0	223,0	106,2
3(.)M 65-200/18.56	18,5	25,0	IE3	92,2	92,9	92,7	0,9	19,96	90,8	92,5	92,9	0,8	19,91	-	33,5	30,3	19,3	-	273,0	331,0	157,6
3(.)M 65-200/22.6	22,0	30,0	IE3	92,4	92,7	92,7	0,9	23,73	92,6	93,1	93,1	0,9	23,65	-	39,5	34,5	22,8	-	321,0	389,0	185,3
3LM 80-160/18.56	18,5	25,0	IE3	92,2	92,9	92,7	0,9	19,96	90,8	92,5	92,9	0,8	19,91	-	33,5	30,3	19,3	-	273,0	331,0	157,6
3LM 80-160/22.6	22,0	30,0	IE3	92,4	92,7	92,7	0,9	23,73	92,6	93,1	93,1	0,9	23,65	-	39,5	34,5	22,8	-	321,0	389,0	185,3

* only for 460 V

MOTOR DATA 3(.)S-3(.)P

Pump type		Motor			Efficiency	Input [kW]	Efficiency (% load)				Full load current [A]		Locked rotor current [A]	
3(.)S	3(.)P	Motor Size	Power				50%	η %		$\cos-\phi$	Three Phase		Three Phase	
			[kW]	[HP]				75%	100%		265 V	460 V	265 V	460 V
3(.)S 32-125/2.26	3(.)P 32-125/2.26	90L	2.2	3	IE2	2,55	86,0	86,4	86,5	0,82	6,8	3,9	64,1	37,0
3(.)S 32-160/3.06	3(.)P 32-160/3.06	100L	3	4	IE2	3,44	86,4	87,8	87,5	0,90	8,3	4,8	95,3	55,0
3(.)S 32-160/4.06	3(.)P 32-160/4.06	112M	4	5.5	IE2	4,62	84,2	86,2	87,5	0,92	10,9	6,3	69,3	40,0
3(.)S 32-200/5.56	3(.)P 32-200/5.56	132S	5.5	7.5	IE2	6,24	87,2	88,7	89,1	0,91	-	8,6	-	89,0
3(.)S 32-200/7.56	3(.)P 32-200/7.56	132S	7.5	10	IE2	8,45	89,8	90,1	89,7	0,93	-	11,4	-	112,0
3(.)S 40-125/3.06	3(.)P 40-125/3.06	100L	3	4	IE2	3,44	86,4	87,8	87,5	0,90	8,3	4,8	95,3	55,0
3(.)S 40-125/4.06	3(.)P 40-125/4.06	112M	4	5.5	IE2	4,62	84,2	86,2	87,5	0,92	10,9	6,3	69,3	40,0
3(.)S 40-160/5.56	3(.)P 40-160/5.56	132S	5.5	7.5	IE2	6,24	87,2	88,7	89,1	0,91	-	8,6	-	89,0
3(.)S 40-160/7.56	3(.)P 40-160/7.56	132S	7.5	10	IE2	8,45	89,8	90,1	89,7	0,93	-	11,4	-	112,0
3(.)S 40-200/116	3(.)P 40-200/116	160M	9.2	12.5	IE2	12,13	87,2	89,5	90,9	0,88	-	17,3	-	159,0
3(.)S 40-200/156	3(.)P 40-200/156	160M	15	20	IE2	16,34	90,9	92,3	91,8	0,88	-	23,3	-	226,0
3(.)S 50-125/5.56	3(.)P 50-125/5.56	132S	5.5	7.5	IE2	6,24	87,2	88,7	89,1	0,91	-	8,6	-	89,0
3(.)S 50-125/7.56	3(.)P 50-125/7.56	132S	7.5	10	IE2	8,45	89,8	90,1	89,7	0,93	-	11,4	-	112,0
3(.)S 50-160/116	3(.)P 50-160/9.26	160M	9.2	12.5	IE2	12,13	87,2	89,5	90,9	0,88	-	17,3	-	159,0
3(.)S 50-160/156	3(.)P 50-160/156	160M	15	20	IE2	16,34	90,9	92,3	91,8	0,88	-	23,3	-	226,0
3(.)S 65-125/5.56	3(.)P 65-125/5.56	132S	5.5	7.5	IE2	6,24	87,2	88,7	89,1	0,91	-	8,6	-	89,0
3(.)S 65-125/7.56	3(.)P 65-125/7.56	132S	7.5	10	IE2	8,45	89,8	90,1	89,7	0,93	-	11,4	-	112,0
3(.)S 65-160/9.26	3(.)P 65-160/9.26	132M	9.2	12.5	IE2	10,18	85,0	88,6	90,0	0,90	-	14,2	-	172,0
3(.)S 65-160/116	3(.)P 65-160/116	160M	11	15	IE2	12,13	87,2	89,5	90,9	0,88	-	17,3	-	159,0
3(.)S 65-160/156	3(.)P 65-160/156	160M	15	20	IE2	16,34	90,9	92,3	91,8	0,88	-	23,3	-	226,0
3(.)S 65-200/156	3(.)P 65-200/156	160M	15	20	IE2	16,34	90,9	92,3	91,8	0,88	-	23,3	-	226,0
3(.)S 65-200/18.56	3(.)P 65-200/18.56	160L	18.5	25	IE2	20,19	90,3	92,0	91,7	0,88	-	28,8	-	340,0
3(.)S 65-200/226	3(.)P 65-200/226	180M	22	30	IE2	23,40	91,8	93,0	93,4	0,89	-	33,0	-	350,0
3(.)S 65-250/306	3(.)P 65-250/306	200L	30	40	IE2	31,89	92,7	94,0	94,2	0,87	-	46,0	-	410,0
3(.)S 65-250/376	3(.)P 65-250/376	200L	37	50	IE2	38,56	93,0	94,3	94,5	0,88	-	55,0	-	470,0
3(.)S 80-160/18.56	3(.)P 80-160/18.56	160L	18.5	25	IE2	20,19	90,3	92,0	91,7	0,88	-	28,8	-	340,0
3(.)S 80-160/226	3(.)P 80-160/226	180M	22	30	IE2	23,40	91,8	93,0	93,4	0,89	-	33,0	-	350,0
3(.)S 80-200/226	3(.)P 80-200/226	180M	22	30	IE2	23,40	91,8	93,0	93,4	0,89	-	33,0	-	350,0
3(.)S 80-200/306	3(.)P 80-200/306	200L	30	40	IE2	31,89	92,7	94,0	94,2	0,87	-	46,0	-	410,0
3(.)S 80-200/376	3(.)P 80-200/376	200L	37	50	IE2	38,56	93,0	94,3	94,5	0,88	-	55,0	-	470,0
3(.)S 80-250/456	3(.)P 80-250/456	225M	45	60	IE2	47,65	92,6	94,1	94,9	0,92	-	65,0	-	610,0
3(.)S 80-250/556	3(.)P 80-250/556	250M	55	75	IE2	58,73	92,8	93,8	94,4	0,91	-	81,0	-	760,0

NOISE DATA 3(.)M

Pump type	Power		L _{pA} - dB(A) *
	[kW]	[HP]	
3(.)M 32-125/2.26	2.2	3.0	72
3(.)M 32-160/3.06	3.0	4.0	76
3(.)M 32-160/4.06	4.0	5.5	
3(.)M 32-200/5.56	5.5	7.5	80
3(.)M 32-200/7.56	7.5	10	
3(.)M 40-125/3.06	3.0	4.0	76
3(.)M 40-125/4.06	4.0	5.5	
3(.)M 40-160/5.56	5.5	7.5	80
3(.)M 40-160/7.56	7.5	10	
3(.)M 40-200/9.26	9.2	12.5	85
3(.)M 40-200/156	15	20	
3(.)M 50-125/5.56	5.5	7.5	80
3(.)M 50-125/7.56	7.5	10	
3(.)M 50-160/9.26	9.2	12.5	85
3(.)M 50-160/156	15	20	
3(.)M 65-125/5.56	5.5	7.5	80
3(.)M 65-125/7.56	7.5	10	
3(.)M 65-160/9.26	9.2	12.5	85
3(.)M 65-160/116	11	15	
3(.)M 65-160/156	15	20	88
3(.)M 65-200/156	15	20	
3(.)M 65-200/18.56	18.5	25	
3(.)M 65-200/226	22	30	
3LM 80-160/18.56	18.5	25	
3LM 80-160/226	22	30	

*Mean value of several measures at 1m distance around the pump. Tolerance \pm 2.5 dB.

NOISE DATA 3(.)S-3(.)P

Pump type		Power		L _{pA} - dB(A) *
3(.)S	3(.)P	[kW]	[HP]	
3(.)S 32-125/2.26	3(.)P 32-125/2.26	2.2	3	70
3(.)S 32-160/4.06	3(.)P 32-160/3.06	3	4	74
3(.)S 32-160/4.06	3(.)P 32-160/4.06	4	5.5	78
3(.)S 32-200/5.56	3(.)P 32-200/5.56	5.5	7.5	82
3(.)S 32-200/7.56	3(.)P 32-200/7.56	7.5	10	
3(.)S 40-125/3.06	3(.)P 40-125/3.06	3	4	74
3(.)S 40-125/4.06	3(.)P 40-125/4.06	4	5.5	78
3(.)S 40-160/5.56	3(.)P 40-160/5.56	5.5	7.5	82
3(.)S 40-160/7.56	3(.)P 40-160/7.56	7.5	10	
3(.)S 40-200/116	3(.)P 40-200/116	9,2	12,5	84
3(.)S 40-200/156	3(.)P 40-200/156	15	20	
3(.)S 50-125/5.56	3(.)P 50-125/5.56	5.5	7.5	82
3(.)S 50-125/7.56	3(.)P 50-125/7.56	7.5	10	
3(.)S 50-160/9,26	3(.)P 50-160/9,26	9,2	12,5	84
3(.)S 50-160/156	3(.)P 50-160/156	15	20	
3(.)S 65-125/5.56	3(.)P 65-125/5.56	5.5	7.5	82
3(.)S 65-125/7.56	3(.)P 65-125/7.56	7.5	10	
3(.)S 65-160/9.26	3(.)P 65-160/9.26	9.2	12.5	84
3(.)S 65-160/116	3(.)P 65-160/116	11	15	
3(.)S 65-160/156	3(.)P 65-160/156	15	20	
3(.)S 65-200/156	3(.)P 65-200/156	15	20	
3(.)S 65-200/18.56	3(.)P 65-200/18.56	18.5	25	
3(.)S 65-200/226	3(.)P 65-200/226	22	30	
3LS 65-250/306	3LP 65-250/306	30	40	87
3LS 65-250/376	3LP 65-250/376	37	50	
3LS 80-160/18.56	3LP 80-160/18.56	18.5	25	84
3LS 80-160/226	3LP 80-160/226	22	30	85
3LS 80-200/226	3LP 80-200/226	22	30	
3LS 80-200/306	3LP 80-200/306	30	40	87
3LS 80-200/376	3LP 80-200/376	37	50	
3LS 80-250/456	3LP 80-250/456	45	60	90
3LS 80-250/556	3LP 80-250/556	55	75	91

*Mean value of several measures at 1m distance around the pump.
Tolerance ± 2.5 dB.



EBARA Pumps Europe S.p.A.
Via Torri di Confine 2/1 int. C
36053 Gambellara (Vicenza), Italy
Phone +39 0444 706811
ebarapumps.epe@ebaracom
www.ebaraeurope.com

EBARA Pumps Europe S.p.A. GERMANY
Elisabeth-Selbert-Straße 2
63110 Rodgau, Germany
Phone +49 (0) 6106-660 99-0
info.epde@ebaracom

EBARA Pumps South Africa (PTY) LTD
26 Kyalami Boulevard,
Kyalami Business Park, 1684, Midrand,
Gauteng, South Africa
Phone +27 11 466 1844
ebarae.psa@ebaracom

EBARA Pumps Europe S.p.A. UK
Unit A, Park 34
Collett Way - Didcot
Oxfordshire - OX11 7WB, United Kingdom
Phone +44 1895 439027
marketing.epuk@ebaracom

EBARA Pumps Europe S.p.A. FRANCE
122, Rue Pasteur
69780 Toussieu, France
Phone: +33 04 72 76 94 82
mktg.efr@ebaracom

EBARA Pumps East Africa
Delta Corner Tower 2, 13th Floor, Office 1308,
Chiromo Road, Westlands
P.O. Box 13796-00800, Nairobi
Phone: +254(0)722913119
info.epea@ebaracom

EBARA POMPY POLSKA Sp. z o.o.
ul. Działkowa 115 A
02-234 Warszawa, Poland
Phone +48 22 3909920
marketing.epl@ebaracom

EBARA Pumps RUS Ltd.
Prospekt Andropov 18, building 7, floor 11
115432 Moscow
Phone +7 499 6830133
mktg.epr@ebaracom